

# classic-cart

## THE UNIVERSAL SOLUTION FOR ALL APPLICATIONS

The classic-cart is a twin-column equipment cart with a total load of up to 150 kg / 330 lbs. This equipment carrier is characterised by excellent stability and durability and spacious shelves. The classic-cart also has an impressive number of expansion options, which are supported by a wide range of system components. Available installation heights and widths of up to 1100 mm provide optimal space for various medical devices and accessories.

High-quality materials and surface finish on all the system components and accessories guarantee that this mobile workstation has a long life even with intensive use.



classic-cart

# THE UNIVERSAL SOLUTION FOR ALL APPLICATIONS

classic-cart



classic-cart grows to meet different challenges and is used most frequently where a high degree of flexibility and lots of options for equipment are required, e.g. in dermatology, endoscopy, ergospirometry or ultrasound diagnostics.

These are medical settings where classic-cart really has an opportunity to put its stability and payload capacity to the test. That's because it forms a generous platform for accommodating a wide range of diagnostic instrumentation, treatment and measuring equipment, plus PCs, monitor arms or infusion stands.



classic-cart  
Application for stress test ECG



classic-cart  
Application for endoscopy



classic-cart  
Application for magnetic brain stimulation



classic-cart  
Application for vocal fold function analysis

# classic-cart – THE HIGHLIGHTS AT A GLANCE

## Immense diversity

- With three different base widths (450, 500 and 600 mm) and installation heights of up to 40 units the classic-cart offers immense diversity.
- Numerous components and accessories can be tailored to your needs and certain configurations already come as standard.

## Future-proof add-on options

- Expandable through the addition of side walls and front doors, the trolley can be configured to become fully closed to prevent unauthorised access.
- T-slots on the outside of the vertical extrusions and mounting options in the profiles provide numerous possibilities to mount accessories.

## High load capacity

- The two-column-structure in conjunction with the welded base allows loads of up to 50 kg / 110 lbs per shelf and a total load of up to 150 kg / 330 lbs.

## Intelligent cabling options

- Integrated power columns allow for separate cable routing of data and power lines and the installation of socket strips. In addition, excess lengths of cable can be safely stowed.

## Thoughtful energy management

- Integrated isolating transformers with a capacity of up to 1600 VA and country-specific socket strips can be controlled as needed through a central on/off switch.

## Hygiene

- The hygiene of all ITD products is validated with the certificate of the German Society for Hospital Hygiene (DGKH).

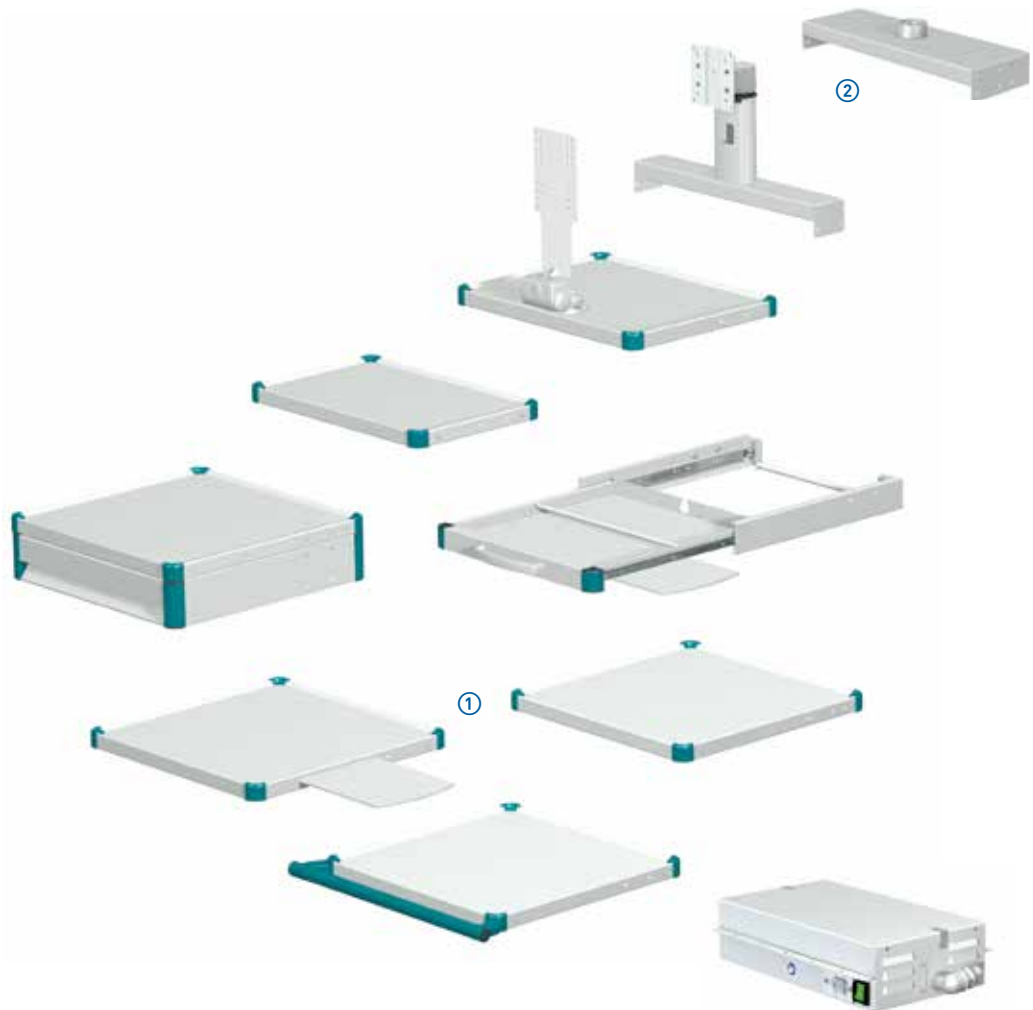


classic-cart

# MODULARITY FOR NUMEROUS CONFIGURATION OPTIONS

The modular structure is the defining feature of the classic-cart two-column equipment carts and the entire ITD product range, which allows all support systems to be configured, customised, upgraded or easily modified for special functions and application areas using the extensive standard range. This capability allows users to react fast and consistently to any changes or new customer requirements. The T-slots on the vertical extrusion or special devices ensure easy assembly of the components. The display presented alongside shows a small selection of accessories for the classic-cart equipment carts.

classic-cart



Shelves are supplied in different versions and the continuous raised edge offers your valuable equipment a secure hold.



classic-cart can accommodate several types of monitors on its monitor shelf or on a monitor crossbeam.



The endoscope holder can be mounted variably on the shelves using two rail fasteners or within the vertical extrusion.



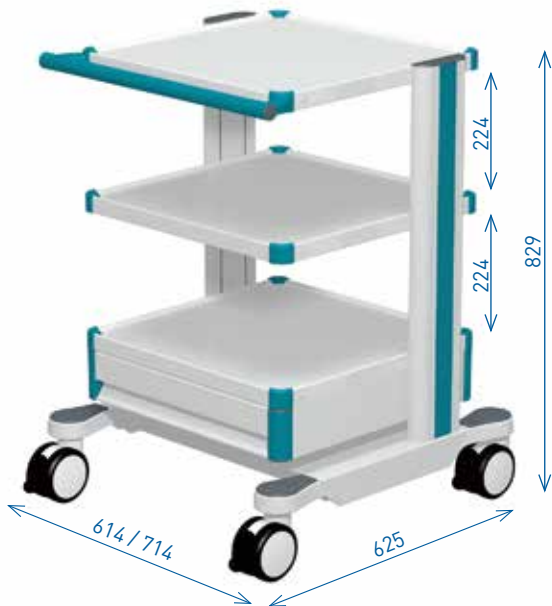
Many accessories, such as for example brackets for holding computers, satisfy the most varied needs.



Variable height support arms (with or without a swivel arm) can be attached by means of a bottom shelf, or else fastened directly to the power column.



# ORDER CONFIGURATIONS



classic-cart

## classic-cart basic cart 21 U

Item number:

Installation width W 500mm GW.5210.XXX<sup>1)</sup>

Installation width W 600mm GW.6210.XXX<sup>1)</sup>

Equipment cart, 21 U (Total height: 829 mm), fitted with:

- 1 basic frame „Profi“ with 4 lockable twin castors  
Ø 100 mm
- 1 shelf with handle, front
- 2 shelves
- 1 drawer

Installation height: 21 U (672 mm)  
 Load capacity: 150 kg / 330 lbs  
 Finish: RAL 7035 light grey powder-coated  
 Decorative trims: handle, corners and strips see <sup>1)</sup>  
 Scope of delivery: assembled

## classic-cart basic cart 30 U

Item number:

Installation width W 500mm GW.5308.XXX<sup>1)</sup>

Installation width W 600mm GW.6308.XXX<sup>1)</sup>

Equipment cart, 30 U (Total height: 1117 mm), fitted with:

- 1 basic frame „Profi“ with 4 lockable twin castors  
Ø 100 mm
- 1 shelf, depth 320 mm
- 1 shelf with mousepad (left / right)
- 1 shelf
- 2 power columns

Installation height: 30 U (960 mm)  
 Load capacity: 150 kg / 330 lbs  
 Finish: RAL 7035 light grey powder-coated  
 Decorative trims: corners and strips see <sup>1)</sup>  
 Scope of delivery: assembled



### classic-cart video rack cart 40 U

Item number:

Installation width W 500mm VS.5402.XXX<sup>1)</sup>

Installation width W 600mm VS.6402.XXX<sup>1)</sup>

Equipment cart, 40 U (Total height: 1437 mm), fitted with:

- 1 basic frame „Profi“ with 4 lockable twin castors Ø 100 mm, conductive
- 1 shelf with handle, front
- 4 shelves
- 1 drawer
- 2 power columns
- 2 side panels
- 1 rear panel

Installation height: 40 U (1280 mm)  
 Load capacity: 150 kg / 330 lbs  
 Finish: RAL 7035 light grey powder-coated  
 Decorative trims: handle, corners and strips see <sup>1)</sup>  
 Scope of delivery: assembled

### classic-cart video rack cart 30 U

Item number:

Installation width W 500mm VS.5302.XXX<sup>1)</sup>

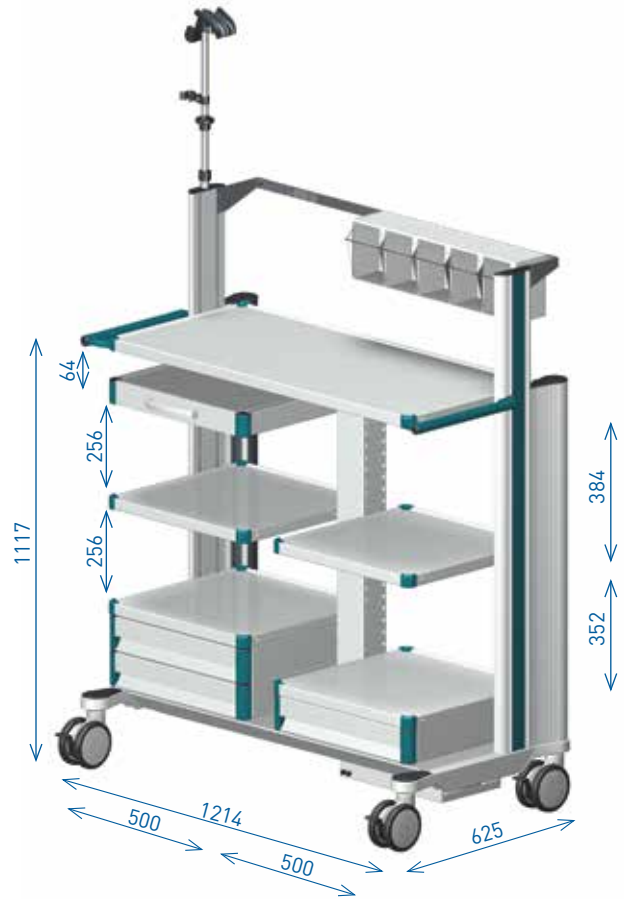
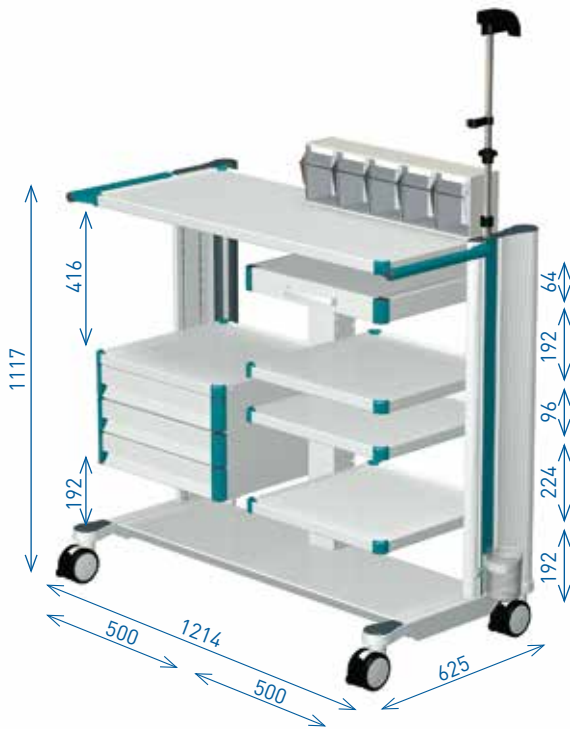
Equipment cart, 30 U (Total height: 1117 mm), fitted with:

- 1 basic frame „Profi“ with 4 lockable twin castors Ø 100 mm, conductive
- 1 shelf with handle, front
- 1 extendable shelf
- 1 drawer
- 1 pedestal rack with: 1 base shelf  
2 glass doors with handle
- 2 power columns
- 2 side panels
- 1 rear panel

Installation height: 30 U (960 mm)  
 Load capacity: 150 kg / 330 lbs  
 Finish: RAL 7035 light grey powder-coated  
 Decorative trims: handle, corners and strips see <sup>1)</sup>  
 Scope of delivery: assembled

# ORDER CONFIGURATIONS

classic-cart



## classic-cart 1100 basic version

Item number:

Installation width W 1100mm EC.0410.XXX<sup>1)</sup>

Equipment cart, 30 U (Total height: 1117 mm), fitted with:

- 1 basic frame, width 1100 mm with 4 lockable twin castors Ø 100 mm, conductive
- 1 continuous upper platform with handles at the side
- 4 shelves
- 1 drawer, 3 units
- 1 extendable shelf
- 1 multipurpose box
- 1 endoscope holder, single
- 1 drip glass
- 1 socket strip Schuko, 6-way with switch

## classic-cart 1100 basic version + 10 U

Item number:

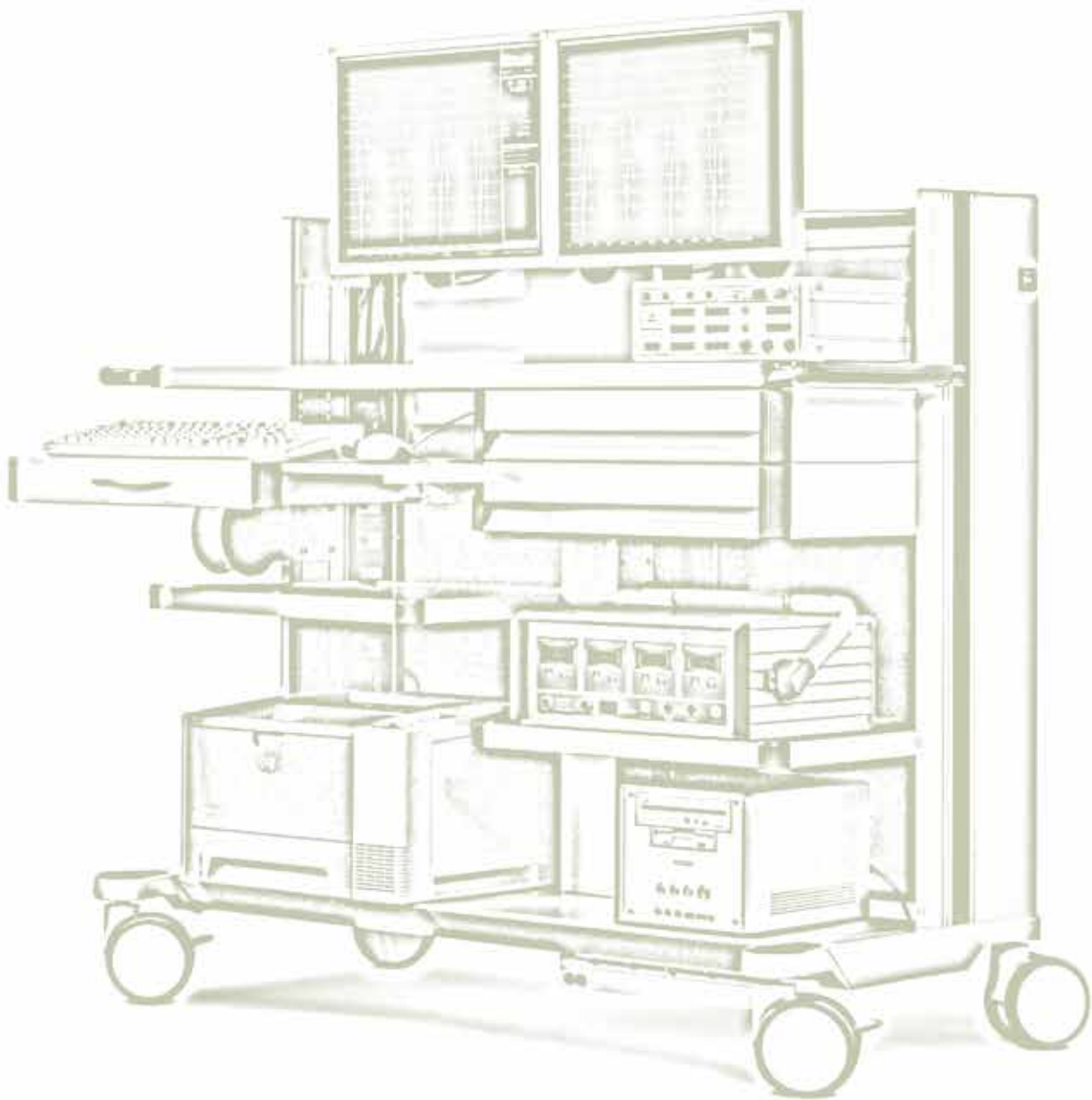
Installation width W 1100mm EC.0416.XXX<sup>1)</sup>

Equipment cart, 30 U + 10 U (Total height: 1465mm), fitted with:

- 1 basic frame, width 1100 mm with 4 lockable twin castors Ø 100 mm, conductive
- 1 continuous upper platform with handles at the side
- 1 standard runner, length 1100 mm
- 4 shelves
- 3 drawers, 1 unit
- 1 extendable shelf
- 1 multipurpose box
- 1 endoscope holder, single
- 1 drip glass
- 1 isolating transformer 1600 VA

Installation height: 30 U (960 mm)  
 Load capacity: 150 kg / 330 lbs  
 Finish: RAL 7035 light grey powder-coated  
 Decorative trims: handles, corners and strips see <sup>1)</sup>  
 Scope of delivery: assembled

Installation height: 30 U + 10 U (1280 mm)  
 Load capacity: 150 kg / 330 lbs  
 Finish: RAL 7035 light grey powder-coated  
 Decorative trims: handles, corners and strips see <sup>1)</sup>  
 Scope of delivery: assembled



classic-cart

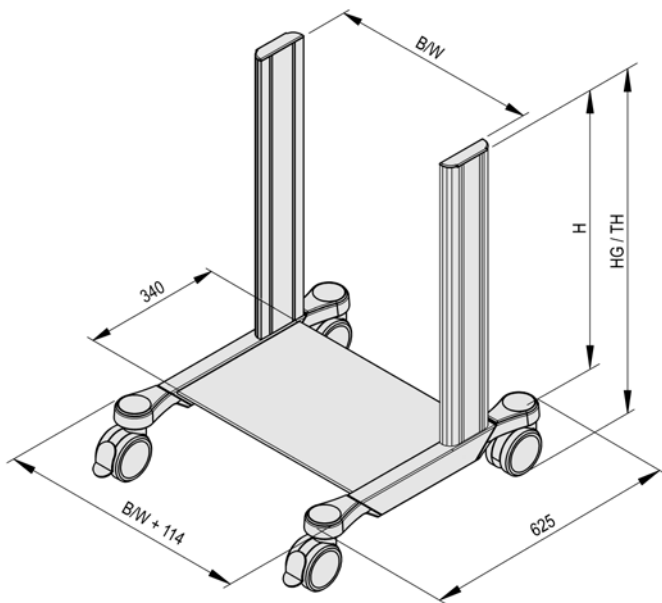
# BASIC FRAME classic-cart

## Basic frame classic-cart „Profi“

The design of the base guarantees a high torsional rigidity and stability as well as the space-saving integration of an isolating transformer. The vertical extrusions allow for the secure mounting of power and data lines or the integration of power columns. In addition, they provide for effective and orderly cable management. Four lockable twin castors (Ø 100 mm) ensure high comfort while in motion and secure operational fixture. Decorative trims provide attractive design interface for the customer´s CI.

- Load capacity: 150 kg / 330 lbs
- Material: steel / aluminium
- Finish: RAL 7035 light grey powder-coated
- Decorative trims: see <sup>1)</sup>
- Scope of delivery: 1 basic frame „Profi“, assembled

classic-cart



Installation height H	Total height TH	Castors Ø	Item number W 500 mm	Item number W 600 mm
21 U (672 mm)	829 mm	100 mm	<b>GW.5502.XXX</b> <sup>1)</sup>	<b>GW.6502.XXX</b> <sup>1)</sup>
30 U (960 mm)	1117 mm	100 mm	<b>GW.5503.XXX</b> <sup>1)</sup>	<b>GW.6503.XXX</b> <sup>1)</sup>
40 U (1280 mm)	1437 mm	100 mm	<b>GW.5504.XXX</b> <sup>1)</sup>	<b>GW.6504.XXX</b> <sup>1)</sup>
<b>Counterweight set (under the base crossbeam)</b>			<b>ZV.9742.999</b>	<b>ZV.9742.999</b>

# BASIC FRAME classic-cart

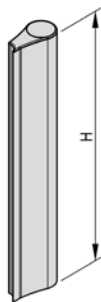
## Power columns for basic frame classic-cart „Profi“

The aluminium extrusion with two spacious cable shafts offers lots of storage space for cable management. Power cables and data lines can be routed separately to individual units. This means socket strip can be enclosed and integrated over the full height to the columns. Continuous soft cover extrusions protect cabling. Quick-release cable ties provide fast cable fixing.

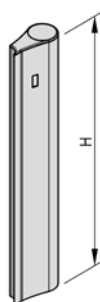
Material: aluminium  
Finish: RAL 7035 light grey powder-coated  
Scope of delivery: 2 power columns including mounting hardware



without preparation



with preparation for  
on / off switch



classic-cart

Power columns	Item number
21 U (672 mm)	GW.0242.991
30 U (960 mm)	GW.0243.991
40 U (1280 mm)	GW.0244.991

Power columns with preparation for on/off switch	Item number
21 U (672 mm)	GW.0660.991
30 U (960 mm)	GW.0661.991
40 U (1280 mm)	GW.0662.991

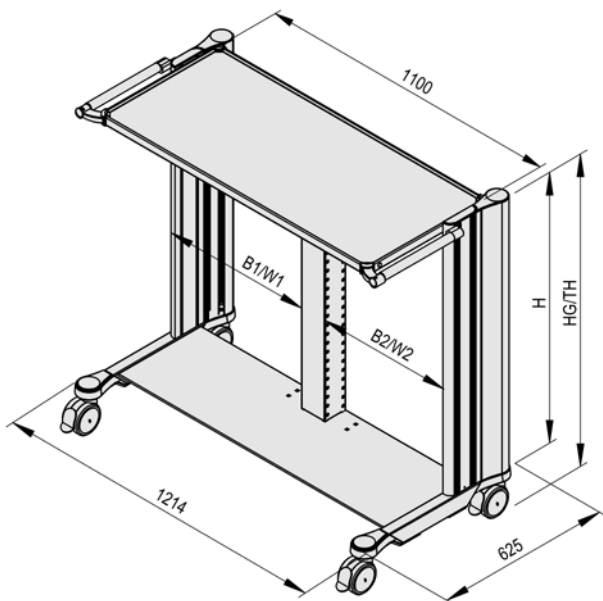
# BASIC FRAME classic-cart

## Basic frame classic-cart width 1100 mm

The basic frame classic-cart width 1100 mm has a high load capacity and stability. The base unit accommodates the vertical extrusion, the power columns and the centre column. The decorative trims are insertable in the vertical extrusions and provide options for a choice of individual colour. The basic frame gives also the option of integrating of powerful isolating transformer and lift-out rear panels. The basic frame has a width of 1100 mm and is in a symmetrical version with an installation width of 500 mm, and an asymmetrical version with installation widths of 450 mm and 600 mm available. The appropriate version can be chosen to suit the size of the devices to be integrated. Four lockable twin castors (Ø 100 mm) ensure high comfort while in motion and secure operational fixture.

Load capacity: 150 kg / 330 lbs  
 Material: steel / aluminium  
 Finish: RAL 7035 light grey powder-coated  
 Decorative trims: see <sup>1)</sup>  
 Scope of delivery: 1 basic frame, assembled

classic-cart



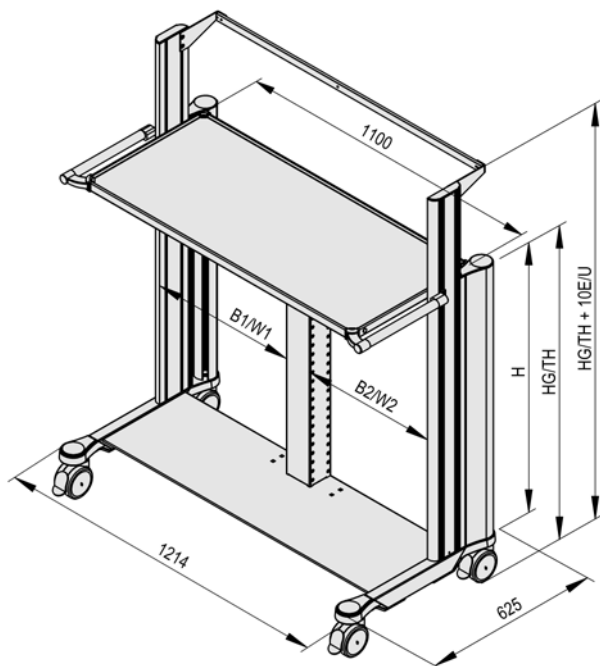
Installation width W1 / W2	Installation height H	Total height TH	Castors Ø	Item number
Symmetrical: 500 mm / 500 mm	30 U (960 mm)	1117 mm	100 mm	EC.0400.XXX <sup>1)</sup>
Asymmetrical: 450 mm / 600 mm	30 U (960 mm)	1117 mm	100 mm	EC.0402.XXX <sup>1)</sup>
Asymmetrical: 600 mm / 450 mm	30 U (960 mm)	1117 mm	100 mm	EC.0403.XXX <sup>1)</sup>

# BASIC FRAME classic-cart

## Basic frame classic-cart width 1100 mm with extended vertical extrusion

The basic frame classic-cart width 1100 mm with extended vertical extrusions and standard runner (length: 1100 mm) offers the advantage of the basic version combined with the opportunity to mount additional accessories, e.g. multipurpose boxes, in a space-saving configuration. The decorative trims are insertable in the vertical extrusions and provide options for a choice of individual colour.

Load capacity: 150 kg / 330 lbs  
 Material: steel / aluminium  
 Finish: RAL 7035 light grey powder-coated  
 Decorative trims: see <sup>1)</sup>  
 Scope of delivery: 1 basic frame, assembled



classic-cart

Installation width W1 / W2	Installation height H	Total height TH	Castors Ø	Item number
Symmetrical: 500 mm / 500 mm	30 U + 10 U (1280 mm)	1437 mm	100 mm	<b>EC.0401.XXX</b> <sup>1)</sup>
Asymmetrical: 450 mm / 600 mm	30 U + 10 U (1280 mm)	1437 mm	100 mm	<b>EC.0404.XXX</b> <sup>1)</sup>
Asymmetrical: 600 mm / 450 mm	30 U + 10 U (1280 mm)	1437 mm	100 mm	<b>EC.0405.XXX</b> <sup>1)</sup>



# BASIC FRAME classic-cart

## Castor conversion kit for basic frame classic-cart „Profi“

For further requirements – as conversion kit instead of the specified standard design – the following castors are offered:

Scope of delivery: 1 castor conversion kit, 4 castors, each with wheel lock. Factory assembly only

Castor conversion kit	Instead of standard	Item number
Ø 100 mm, conductive	Ø 100 mm	ZV.9922.999
Ø 125 mm, conductive	Ø 100 mm	ZV.9923.999
Ø 125 mm, conductive	Ø 100 mm, conductive	ZV.9924.999
<b>Wall protector</b>		<b>ZV.9964.999</b>

## Castor conversion kit for basic frame classic-cart width 1100 mm

For further requirements – as conversion kit instead of the specified standard design – the following castors are offered:

Scope of delivery: 1 castor conversion kit, 4 castors, each with wheel lock. Factory assembly only

Castor conversion kit	Instead of standard	Item number
Ø 125 mm, conductive	Ø 100 mm, conductive	ZV.9924.999
<b>Wall protector</b>		<b>ZV.9964.999</b>

## Rear panels for basic frame classic-cart

The rear panel for classic-cart can be removed with two quick fasteners. It protects equipment against unauthorised access and offers quick access to the equipment during installation or servicing.

Material: steel  
 Finish: RAL 7035 light grey powder-coated  
 Scope of delivery: 1 rear panel including mounting hardware, factory assembly only;  
 2 rear panels for basic frame width 1100 mm, including mounting hardware, factory assembly only



Rear panel for basic frame classic-cart	Item number W 500 mm	Item number W 600 mm
21 U (672 mm)	GW.5150.991	GW.6150.991
30 U (960 mm)	GW.5151.991	GW.6151.991
40 U (1280 mm)	GW.5152.991	GW.6152.991

Rear panels for basic frame width 1100 mm	Item number W 500 mm / W 500 mm	Item number W 600 mm / W 450 mm
30 U (960 mm)	GW.8050.991	GW.8051.991

# ISOLATING TRANSFORMER classic-cart

## Isolating transformer for classic-cart

The isolating transformer is used to reduce the dangers for patients and professionals posed by leakage by providing insulation to the network. Single-fault protection and potential-free voltage supply is guaranteed by the use of the isolating transformer. This allows a constant power supply to electro-medical equipment and a safe patient environment. The isolation transformer is fitted below the base crossbeam. The isolation transformers are also available with the option of an insulation monitor.

Power:	660 VA / 1000 VA / 1600 VA
Input-/ Output voltage:	115 V / 115 V, 50 Hz / 60 Hz or 230 V / 230 V, 50 Hz / 60 Hz – switchable
Power input:	IEC 320 EURO input for use of country-specific power cables
Design:	toroidal transformer
Conditionally short circuit proof:	in conformity with IEC 742 and IEC 601-1
Inrush current limitation:	electronically regulated on nominal current
Safety class:	1
Insulation voltage:	PRI – earth: 1500 V, SEC – earth: 1500 V, PRI – SEC: 4000 V
Fuse protection:	primary 2-phase with micro fuse
Test:	CE labelling, NRTL-approval for 1600 VA and for 1600 VA with insulation monitor
Protection class:	IP20
Material:	steel / copper
Finish:	RAL 7035 light grey powder-coated
Assembly:	under the base
Scope of delivery:	1 isolating transformer 660 VA, 1000 VA or 1600 VA, fitted with: on/off switch; power cable earthed Schuko 5m; 2x4-way equipotential bonding connectors IEC320; plug removal barrier, insulation monitor (depending on type), pre-assembled. In case of ordering insulation monitor and integration of on/off switch in the power column - factory assembly only

### Insulation monitor ELG (Earth Leakage Guard) including temperature monitoring

Insulation monitor gives out a visual and acoustic signal and the light-emitting diode and sound indicate that there is a critical fall in the isolation resistance of the whole system. This system does not replace the recommended regular tests and maintenance of those devices that are connected.

Operate value:	53 kOhm ± 5%
Test resistance:	33 kOhm
Input voltage:	150 V / 230 VAC ± 15%, 50 Hz / 60 Hz
AC internal resistance:	220 kOhm
DC internal resistance:	320 kOhm
Measuring direct voltage:	12 V ± 0,3 V
Max. measuring current:	< 0,5 mA
Max. external DC voltage:	250 V DC



Isolating transformer for classic-cart	Item number without insulation monitor	Item number with insulation monitor
Isolating transformer, Power 660 VA	ZV.9350.999	ZV.9351.999
Isolating transformer, Power 1000 VA	ZV.9352.999	ZV.9353.999
Isolating transformer, Power 1600 VA	ZV.9354.999	ZV.9355.999
<b>On / Off switch integrated in the power column</b>		<b>GW.0525.999</b>

# SOCKET STRIPS classic-cart

## EURO socket strip for classic-cart

Ratings: 10 A / 250 VAC  
 Installation: in the power columns  
 Scope of delivery: 1 EURO socket strip including mounting hardware



Designation	Connection cable	Standard	Item number
① 6-way, with external earthing contact	without	IEC 320	<b>ZV.9501.999</b>
② 8-way, with external earthing contact	without	IEC 320	<b>ZV.9376.999</b>

The corresponding connection cable must be ordered separately and can be found in the Chapter Accessories.

## Socket strips Schuko for classic-cart

Ratings: 16 A / 250 VAC  
 Installation: in the power columns  
 Scope of delivery: 1 socket strip Schuko including mounting hardware



Designation	Connection cable	Standard	Item number
① 3-way, with on/off switch and earthing contact	5 m	DIN VDE 0620-1	<b>ZV.9977.999</b>
② 6-way, with earthing contact	5 m	DIN VDE 0620-1	<b>ZV.9503.999</b>
③ 8-way, with earthing contact	5 m	DIN VDE 0620-1	<b>ZV.9504.999</b>
④ 8-way, with on/off switch and earthing contact	5 m	DIN VDE 0620-1	<b>ZV.9502.999</b>
⑤ 8-way, with on/off switch in the power column, factory assembly only	5 m	DIN VDE 0620-1	<b>ZV.9505.999</b>

## Socket strip French Standard for classic-cart

Ratings: 16 A / 250 VAC  
 Installation: in the power columns  
 Scope of delivery: 1 socket strip French Standard including mounting hardware



Designation	Connection cable	Standard	Item number
6-way, with earthing contact	5 m	CEE7, UTE	<b>ZV.9506.999</b>

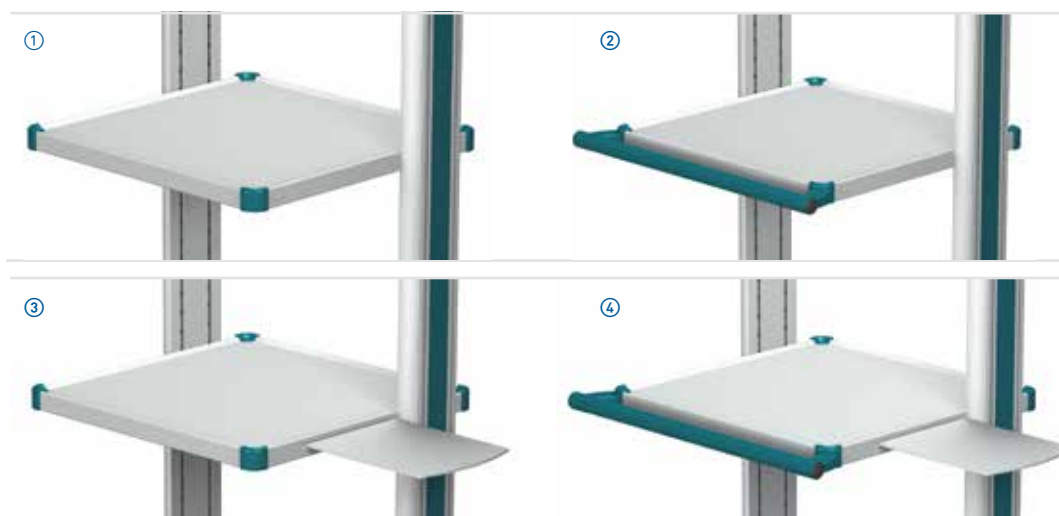
Plug removal barriers are available in Chapter Accessories.

# SHELVES classic-cart

## Shelves for classic-cart

The shelves for the classic-cart are characterised by being spacious, with raised edges and rounded decorative corners. The low installation height saves space and creates valuable space for other system components. The shelves are available with various features such as handles or a mousepad. The integrated mousepad is extendable to the right and to the left. The handles are available in different colours.

Installation height: 1 U (32 mm)  
 Dimensions (W x D): W 450 mm: 450 mm x 491 mm; W 500 mm: 500 mm x 491 mm; W 600 mm: 600 mm x 491 mm  
 Usable area (W x D): W 450 mm: 406 mm x 447 mm; W 500 mm: 456 mm x 447 mm; W 600 mm: 556 mm x 447 mm  
 Load capacity: 50 kg / 110 lbs distributed load  
 Material: steel / aluminium  
 Finish: RAL 7035 light grey powder-coated  
 Decorative trims: handles and corners see <sup>1)</sup>  
 Installation: in the T-slots of vertical extrusion  
 Scope of delivery: 1 shelf including mounting hardware, pre-assembled



Designation	Item number W 450 mm	Item number W 500 mm	Item number W 600 mm
① Shelf	GW.4001.XXX <sup>1)</sup>	GW.5001.XXX <sup>1)</sup>	GW.6001.XXX <sup>1)</sup>
② Shelf with handle	GW.4002.XXX <sup>1)</sup>	GW.5002.XXX <sup>1)</sup>	GW.6002.XXX <sup>1)</sup>
③ Shelf with mousepad	GW.4035.XXX <sup>1)</sup>	GW.5035.XXX <sup>1)</sup>	GW.6035.XXX <sup>1)</sup>
④ Shelf with handle and mousepad	GW.4049.XXX <sup>1)</sup>	GW.5049.XXX <sup>1)</sup>	GW.6049.XXX <sup>1)</sup>

## Shelf depth 320 mm for classic-cart

This shelf is space-saving and suitable for accommodating small, medical devices or monitors.

Installation height: 1 U (32 mm)  
 Dimensions (W x D): W 500 mm: 500 mm x 320 mm; W 600 mm: 600 mm x 320 mm  
 Usable area (W x D): W 500 mm: 456 mm x 276 mm; W 600 mm: 556 mm x 276 mm  
 Load capacity: 50 kg / 110 lbs distributed load  
 Material: steel / aluminium  
 Finish: RAL 7035 light grey powder-coated  
 Decorative trims: corners see <sup>1)</sup>  
 Installation: in the T-slots of vertical extrusion  
 Scope of delivery: 1 shelf including mounting hardware, pre-assembled



Designation	Item number W 500 mm	Item number W 600 mm
Shelf depth 320 mm	GW.5025.XXX <sup>1)</sup>	GW.6025.XXX <sup>1)</sup>

# SHELVES classic-cart

## Flat shelf for classic-cart

The flat shelf has no round raised edge so printer paper drawers can be left open without any problem and also offers a larger working area.

- Installation height: 1 U (32 mm)
- Dimensions (W x D): W 450 mm: 450 mm x 491 mm; W 500 mm: 500 mm x 491 mm; W 600 mm: 600 mm x 491 mm
- Usable area (W x D): W 450 mm: 450 mm x 491 mm; W 500 mm: 500 mm x 491 mm; W 600 mm: 600 mm x 491 mm
- Load capacity: 30 kg / 66 lbs distributed load
- Material: steel / aluminium
- Finish: RAL 7035 light grey powder-coated
- Decorative trims: corners see <sup>1)</sup>
- Installation: in the T-slots of vertical extrusion
- Scope of delivery: 1 flat shelf including mounting hardware



Designation	Item number W 450 mm	Item number W 500 mm	Item number W 600 mm
Flat shelf	<b>GW.4008.XXX <sup>1)</sup></b>	<b>GW.5008.XXX <sup>1)</sup></b>	<b>GW.6008.XXX <sup>1)</sup></b>

## Extendable shelf for classic-cart

The extendable shelf provides quick access to your equipment for assembly and servicing. It can also be used as a keyboard shelf. The shelf extends to 265 mm and allows easy access from all sides to other attached devices. Locking point stops fix the shelf in position when it is extended or closed. The handle attached to the front allows the user to move the shelf forwards and backwards.

- Installation height: 1,5 U (48 mm)
- Dimensions (W x D): W 450 mm: 450 mm x 491 mm; W 500 mm: 500 mm x 491 mm; W 600 mm: 600 mm x 491 mm
- Usable area (W x D): W 450 mm: 386 mm x 486 mm; W 500 mm: 436 mm x 486 mm; W 600 mm: 536 mm x 486 mm
- Load capacity: 20 kg / 44 lbs distributed load
- Material: steel / aluminium
- Finish: RAL 7035 light grey powder-coated
- Decorative trims: corners see <sup>1)</sup>
- Installation: in the T-slots of vertical extrusion
- Scope of delivery: 1 extendable shelf including mounting hardware



Designation	Item number W 450 mm	Item number W 500 mm	Item number W 600 mm
Extendable shelf	<b>GW.4040.XXX <sup>1)</sup></b>	<b>GW.5040.XXX <sup>1)</sup></b>	<b>GW.6040.XXX <sup>1)</sup></b>

## Base shelf for classic-cart

The base shelf provides a cost-effective option, e.g. for placing printers directly on the base of the equipment cart.

- Installation height: 1 U (32 mm)
- Dimensions (W x D): W 450 mm: 450 mm x 491 mm; W 500 mm: 500 mm x 491 mm; W 600 mm: 600 mm x 491 mm
- Usable area (W x D): W 450 mm: 450 mm x 491 mm; W 500 mm: 500 mm x 491 mm; W 600 mm: 600 mm x 491 mm
- Load capacity: 20 kg / 44 lbs distributed load
- Material: steel
- Finish: RAL 7035 light grey powder-coated
- Installation: in the T-slots of vertical extrusion
- Scope of delivery: 1 base shelf including mounting hardware



Designation	Item number W 450 mm	Item number W 500 mm	Item number W 600 mm
Base shelf	<b>GW.4075.991</b>	<b>GW.5075.991</b>	<b>GW.6075.991</b>

# DRAWERS classic-cart

## Drawers for classic-cart

The classic-cart drawers are characterised by providing a large storage space and a smooth removable inner body. The drawer is fitted with a mechanical single locking lever that ensures that the drawer cannot open abruptly when approaching a threshold. Drawers are available in different designs with handles or a mousepad. The integrated mousepad is extendable to the right and to the left.

Dimensions (W x D): W 450 mm: 450 mm x 491 mm; W 500 mm: 500 mm x 491 mm; W 600 mm: 600 mm x 491 mm

Interior area: Drawer: W 450 mm: 360 mm x 400 mm x 85 mm (W x D x H)  
 W 500 mm: 410 mm x 400 mm x 85 mm (W x D x H)  
 W 600 mm: 510 mm x 400 mm x 85 mm (W x D x H)  
 Drawer high: W 450 mm: 360 mm x 400 mm x 180 mm (W x D x H)  
 W 500 mm: 410 mm x 400 mm x 180 mm (W x D x H)  
 W 600 mm: 510 mm x 400 mm x 180 mm (W x D x H)

Load capacity: 3 kg / 6.6 lbs distributed load

Material: steel / plastic

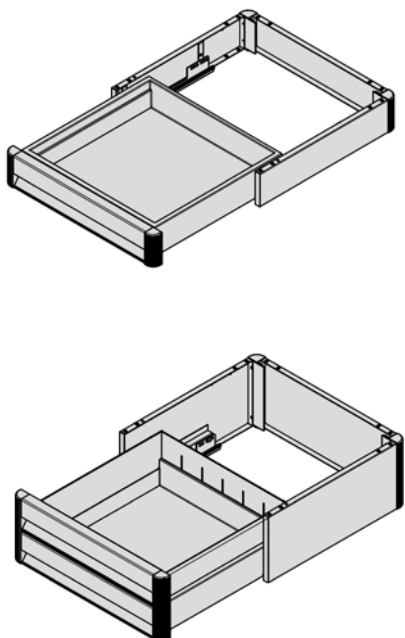
Finish: RAL 7035 light grey powder-coated

Decorative trims: handles and corners see <sup>1)</sup>

Installation: in the T-slots of vertical extrusion

Scope of delivery: 1 drawer including mounting hardware, pre-assembled

**You always require a shelf of corresponding width as the top cover for the drawer.  
 This is NOT included in the scope of delivery.**



classic-cart

Designation	Installation height	Item number W 450 mm	Item number W 500 mm	Item number W 600 mm
① Drawer	3 U (96 mm)	<b>GW.4051.XXX</b> <sup>1)</sup>	<b>GW.5051.XXX</b> <sup>1)</sup>	<b>GW.6051.XXX</b> <sup>1)</sup>
② Drawer, 1 unit, high	6 U (192 mm)	<b>GW.4052.XXX</b> <sup>1)</sup>	<b>GW.5052.XXX</b> <sup>1)</sup>	<b>GW.6052.XXX</b> <sup>1)</sup>

**Lock on request**

# KEYBOARD DRAWER classic-cart

## Keyboard drawer with mousepad (left / right) for classic-cart

The keyboard drawer is characterised by a full extension of 345 mm. This allows two small keyboards to be placed next to each other. An installation width of 500 mm allows for a keyboard with a maximum width of 457 mm. An installation width of 600 mm allows for a keyboard with a maximum width of 557 mm. The keyboard is prevented from slipping by an adjustable strut.

- Installation height: 2 U (64 mm)
- Load capacity: 5 kg / 11 lbs distributed load
- Material: steel
- Finish: RAL 7035 light grey powder-coated
- Decorative trims: corners see <sup>1)</sup>
- Installation: in the T-slots of vertical extrusion
- Scope of delivery: 1 keyboard drawer including mounting hardware, pre-assembled



Designation	Item number W 450 mm	Item number W 500 mm	Item number W 600 mm
Keyboard drawer with mousepad (left / right)	<b>GW.4033.XXX</b> <sup>1)</sup>	<b>GW.5036.XXX</b> <sup>1)</sup>	<b>GW.6036.XXX</b> <sup>1)</sup>

# MONITOR HOLDERS classic-cart

## Monitor holders for classic-cart

Installation	On monitor crossbeam			On monitor shelf		
	 <p>± 20° tilt ± 170° swivel</p>			 <p>± 20° tilt ± 170° swivel</p>		
VESA 75 / 100	Monitor weight	Item number W500 mm	Item number W600 mm	Monitor weight	Item number W500xD320 mm	Item number W600xD320 mm
	0-14 kg	GW.5167.991	GW.6167.991	0-14 kg	GW.5169.XXX <sup>1)</sup>	GW.6169.XXX <sup>1)</sup>
	14-18 kg	GW.5168.991	GW.6168.991	14-18 kg	GW.5170.XXX <sup>1)</sup>	GW.6170.XXX <sup>1)</sup>
	 <p>± 15° tilt ± 35° swivel</p>			 <p>± 15° tilt ± 35° swivel</p>		
VESA 75 / 100 universal	Monitor weight	Item number W500 mm	Item number W600 mm	Monitor weight	Item number W500xD380 mm	Item number W600xD380 mm
	0-14 kg	GW.5096.991	GW.6096.991	0-14 kg	GW.5091.XXX <sup>1)</sup>	GW.6091.XXX <sup>1)</sup>
VESA 75 / 100 adjustable	 <p>± 15° tilt ± 35° swivel</p>			 <p>± 15° tilt ± 35° swivel</p>		
VESA 75 / 100 adjustable	Monitor weight	Item number W500 mm	Item number W600 mm	Monitor weight	Item number W500xD380 mm	Item number W600xD380 mm
	0-14 kg	GW.5097.991	GW.6097.991	0-14 kg	GW.5092.XXX <sup>1)</sup>	GW.6092.XXX <sup>1)</sup>

classic-cart

Installation height: monitor crossbeam: 2 U (64 mm); monitor shelf: 1 U (32 mm)  
 Material: steel / aluminium  
 Finish: RAL 7035 light grey powder-coated  
 Decorative trims: corners see <sup>1)</sup>  
 Scope of delivery: 1 monitor holder, corresponding monitor crossbeam or monitor shelf and mounting hardware