



TRUSTED EXPERTISE IN MEDICAL TECHNOLOGY



Complete catalogue
Equipment carts

CREATING CUSTOMER-SPECIFIC SOLUTIONS: Creating medical mobility



As one of the world's leading providers of equipment carts and support arms for medical technology, we can look back on more than 20 years of experience in our market, thousands of satisfied customers and countless project implementations.

We focus on the continuous development of our employees' technical and personal skills and on the modular development of our products. This modular system enables us and our customers to build easily their specific products using standard and near-standard elements.

Our slogan "creating medical mobility" aims to make this clear and drive us forward.

Quality you can touch for a lasting cooperation.

Product quality and customer satisfaction are of paramount importance to ITD GmbH. In order to fulfill these high quality expectations, ITD GmbH is committed to the most modern technologies.

The combination of knowing the fields of application for the products, market-oriented development and above all the close partnership with the customer - from idea to finished product - a quality product is created to meet individual requirements. Today as well as in future.

CONTENTS

Product attributes and applications	4
Overview of product portfolio	6



uni-cart **10**

Application examples uni-cart	12
Order configurations uni-cart	18
System components uni-cart.....	20



vexio-cart **30**

Application examples vexio-cart	32
Order configurations vexio-cart	38
System components vexio-cart	40



pro-cart **58**

Application examples pro-cart	60
Order configurations pro-cart ..	66
System components pro-cart	68



classic-cart **78**

Application examples classic-cart	80
Order configurations classic-cart	86
System components classic-cart	90



compact-cart **102**

Application examples compact-cart	104
Order configurations compact-cart	110
System components compact-cart	112



Monitor carts **124**

Order configurations 126

Customised product solutions cart-couture **133**

Accessories **136**



Pivot arms rm-port 140

Variable height support arms flexion-port 141-143

Monitor crossbeam / Monitor shelf 144

Counterweight set 145

Baskets 146

Computer holder 147

Laptop holder 148

Power pack holder 148

Adapter plates for universal adapter 149

Endoscope holder 150

Drip glass 151

Connector holder 151

Rinsing bottle holder 152

Hose holder 152

Camera holder / Universal holder 152

(Gel)-bottle holder 153

Gas bottle holder 154

IV pole 155

Standard runner 155

Anchor / clamps 156

Rail fastener 156

Holder for suction system 157

Adapter pieces 157

Foot switch cradle 158

Jointed arms 158

Cable winders 159

Cable holder 159

Connection cable 160

EURO cable 161

Adapter cable 161

Equipotential plug POAG 162

Equipotential cable POAG 162

Socket strip attachment 163

Plug removal barrier 164

Spring nut 165

Equipment fixing corners 165

Item Number Index **166**

Keyword Index **170**

OUR EXPERIENCE – YOUR SUCCESS

The objective of ITD is to react promptly to the latest market and environmental requirements. The aim is to allow our customers to exploit new opportunities for success. This is why we are dedicated to channelling our experience and our “craft assets” – innovative excellence, technical expertise and design competence into our products. ITD creates new benchmarks with our products feature attributes like modularity, ergonomic design and quality. They are supported by service and customizing. This powerful combination generates product solutions that meet all the product requirements of our sophisticated customers.

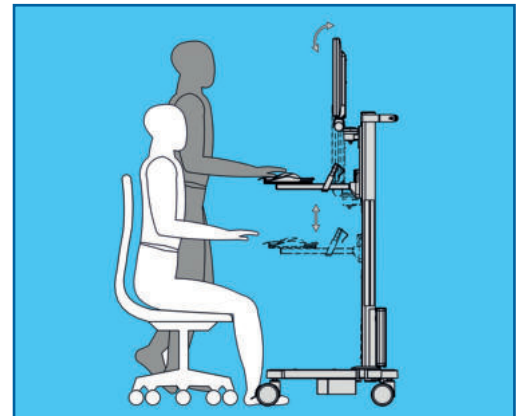
Modularity – smart and individual

- The standard building-block system permits individual and cost-effective configurations.
- The modular support systems can be upgraded at any time. This permits prompt reactions to new demands in the marketplace and guarantees future-proof investments.
- The variability of height and / or width combine with an extensive range of generic accessories overarching all product lines to meet diverse needs and requirements.
- Easy planning is due to online product configurator everytime possible.



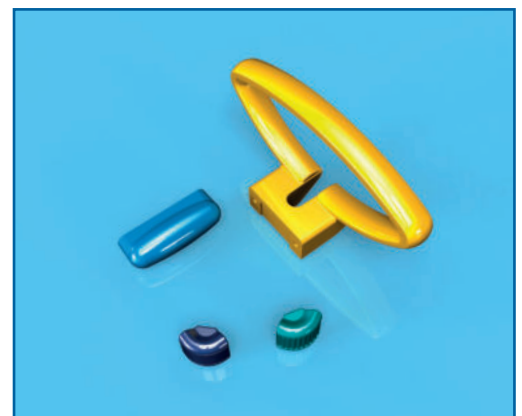
Ergonomic design – adaptable and natural

- Smooth-running twin castors ensure simple manoeuvring of the equipment carts as well as the safe rolling over of obstacles.
- Adapted working areas and handle positions allow users to maintain a natural body position (sit / stand workstation).
- The support systems have been adapted to natural sequences of movement. The design of the base provides adequate legroom and permits freedom of movement.



Hygiene and Design – focused and modern

- The link between design and functionality focuses on instrumentation.
- The modern look and appealing, streamlined design underscore the high quality and value of the instruments.
- The absolute high standards of hygiene required in the everyday routine of hospitals and medical practices are reflected in the detail of the practical design.





Quality – long service life and safety

- The use of high-quality materials, such as zinc-plated and powder-coated sheet steel or aluminium extrusions, guarantees the long service life and dependability of the product solutions.
- All support systems comply with the European Medical Device Regulation (MDR) 2017/745 as well as the standards according to DIN EN 60601-1 (3rd Edition).
- Quality assurance is carried out strictly in conformity with DIN EN ISO 13485. Electrical safety is also tested and documented down to the last detail.



Service – personal and efficient

- Professional technical personnel provide friendly and expert advice. Personal consultations are given on site or at our showrooms.
- Support is delivered throughout the project period by a dedicated personal contact.
- Expert foreign agents provide the foundation for the international presence of ITD.
- Detailed offers are prepared promptly.
- National and international logistics are supported comprehensively by e. g. ex-stock items and deliveries to end customers.



Customizing – specific and characteristic

- Tailor-made customised solutions are based on an extensive standard portfolio enabling fast response to requirements at economical prices.
- Design of the equipment can be made in the colour of choice or with the corporate identity as required by the customer.
- On request, a package can be provided with customised corporate and product labelling, e.g. with the company logo or barcode.
- The design of the individual equipment carriers is carried out in cooperation with the ITD representative.

OUR EQUIPMENT CARTS



vexio-cart



compact-cart



pro-cart

Surgery, intensive care, anaesthesia or laboratory settings – each application presents different challenges to an equipment cart. Excellent that ITD can offer an optimum solution for each scenario. The ITD product portfolio is convincing point by point through versatility and sophistication.

The following tabular presentation provides you with a quick initial overview of possible equipment carts and can assist you in making the right preliminary decision.



classic-cart



uni-cart

AN OVERVIEW OF OUR EQUIPMENT CARTS



■ uni-cart



■ vexio-cart

Load capacity	with 4 stabilisers	with 5 stabilisers	
Total load capacity:	65 kg / 143 lbs	50 kg / 110 lbs	65 kg / 143 lbs
Load capacity of shelf:	10 kg / 22 lbs distributed load		15 kg / 33 lbs distributed load
Dimensions - Basic Frame			
Width in mm:	540	670	530
Depth in mm:	580	650	610
Total height in mm:	820 / 1145 / 1305		830 / 998 / 1160 / 1320
Dimensions - Shelf			
Width in mm:	400		424
Depth in mm:	360		430
Electrification			
Isolating transformer:	660 VA		660 VA
Central on / off switch:	no		yes
Socket strips:	yes		yes
Ordering data			
Catalogue page:	18 - 29		38 - 56



■ pro-cart



■ classic-cart



■ compact-cart

80 kg / 176 lbs

150 kg / 330 lbs

180 kg / 396 lbs

20 kg / 44 lbs distributed load

50 kg / 110 lbs distributed load

50 kg / 110 lbs distributed load

610

614 / 714 / 1214

618 / 668 / 818

620

625

624

884 / 1172 / 1332

829 / 1117 / 1437

1146 / 1306 / 1466

450

450 / 500 / 600

450 / 500 / 650

400

491

491

660 VA / 1200 VA

660 VA / 1000 VA / 1600 VA

1200 VA / 1600 VA / 2000 VA

yes

yes

yes

yes

yes

yes

66 - 77

86 - 101

110 - 123

uni-cart

THE RIGHT CHOICE WHERE SPACE IS AT A PREMIUM

uni-cart is a compact and safe equipment cart with a loading capacity of up to 65 kg / 143 lbs. With its 4 or 5-foot-base frames and lockable wheels this trolley is particularly manoeuvrable and ideal where space is limited. The single-column aluminium extrusion is used to ensure careful storage of the cables and sockets. Also, various medical accessories, drawers, shelves, baskets and infusion stands can be easily fixed on the vertical extrusion every 32 mm.

Different colour variations can be incorporated into your medical device and options to include your corporate identity can be used to contribute to the uniform appearance of your system.

Functionality, numerous expansion options and an ideal price-performance are just some of the attractive characteristics of the uni-cart.



THE RIGHT CHOICE WHERE SPACE IS AT A PREMIUM

uni-cart



uni-cart masters the challenge of restricted space. Optimum integration of small medical devices enables the single-column cart to deliver the solution for flexible applications and fast mobile deployment. uni-cart offers lots of convenience with cabling routed in the support column. The stabilisers with individual adaptation of length offer a high level of stability.

This compact miracle in space can be used in a wide range of medical applications like physiotherapy, ultrasound diagnostics, ECG, anaesthesia and endoscopy.



uni-cart
Application for stress test ECG



uni-cart
Application for
flexible endoscopy



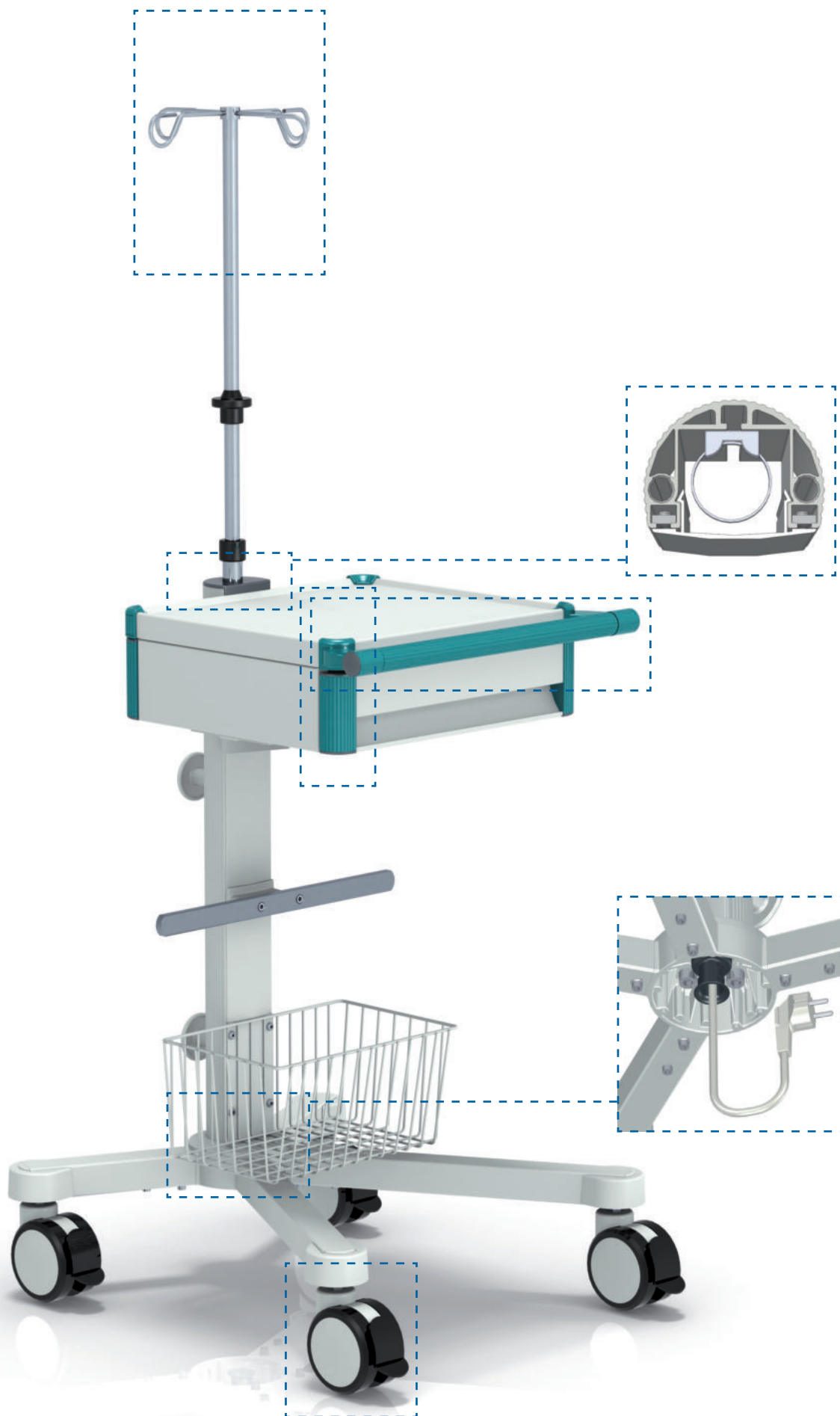
uni-cart
Application for stress test ECG



uni-cart
Multiple measurement
station (resting ECG /
lung function)

UNI-CART – THE HIGHLIGHTS AT A GLANCE

uni-cart



Durability and safety

- High-quality materials, such as galvanised and powder-coated steel sheets and aluminium extrusions offer reliability and security as well as ensure lasting maintenance-free operation.

Modularity

- The 32 / 64 mm fixing grid allows for almost limitless combinations of components and accessories.
- Accessories can be attached to the front and back of the support column.

Ergonomics and Design

- Different installation heights and optional height adjustment together allow for a natural posture during the operational use of the equipment.
- Ergonomic handles allow for effortless manoeuvrability of the loaded equipment cart.
- Lightweight construction and sleek design ensure perfect integration in the medical work environment.
- Handles and corners can have coloured decorative trims and incorporate the customer's Corporate Identity (CI).

Hygiene

- Powder-coated surfaces and plastic covers are ideal for making cleaning easy.
- The hygiene of all ITD products is validated with the certificate of the German Society for Hospital Hygiene (DGKH).

Safe power supply

- International socket outlets and cables can be added in the support columns.
- Cover strips protect the cable against unauthorised access and dust.
- The integrated tension reliever in the basic frame unit safeguards against a sudden failure of the connecting cable.

Flexibility

- 4-foot base frame: with variable stabiliser lengths and positions for optimum stability within a small space.
- 5-foot base frame: ideal for central loads.
- Lockable twin castors ensure the greatest comfort while mobile as well as secure fixture when in operational use.

MODULARITY FOR NUMEROUS CONFIGURATION OPTIONS

The modular structure is the defining feature of the uni-cart single-column equipment cart and the entire ITD product range, which allows all support systems to be configured, customised, upgraded or easily modified for special functions and application areas using the extensive standard range. This capability allows users to react fast and consistently to any changes or new customer requirements. The T-slots on the support column ensure easy assembly of the components. The display presented alongside shows a small selection of accessories for the uni-cart equipment carts.



① Endoscop holders or IV poles can be mounted in the support column or on the shelf.



② Cabling to equipment is routed in the support column.



③ An optional handle can be attached to the equipment cart to improve its manoeuvrability. Moreover, the handle is decorative.





Shelves and drawers are available in different versions. The colour of corners and handles can be matched to instrumentation or CI livery.



Monitors of different sizes weighing up to 14 kg / 30.8 lbs overall can be installed by attaching various monitor holders.

ORDER CONFIGURATIONS

uni-cart



uni-cart basic version

Item number: RS.4801.XXX ¹⁾

Equipment cart, 21 U (total height: 820 mm), fitted with:

- 1 basic frame with 4 lockable twin castors Ø 75 mm
- 1 block of drawers with handle (front)
- 1 cover strip
- 1 integrated cable strain relief

uni-cart basic version

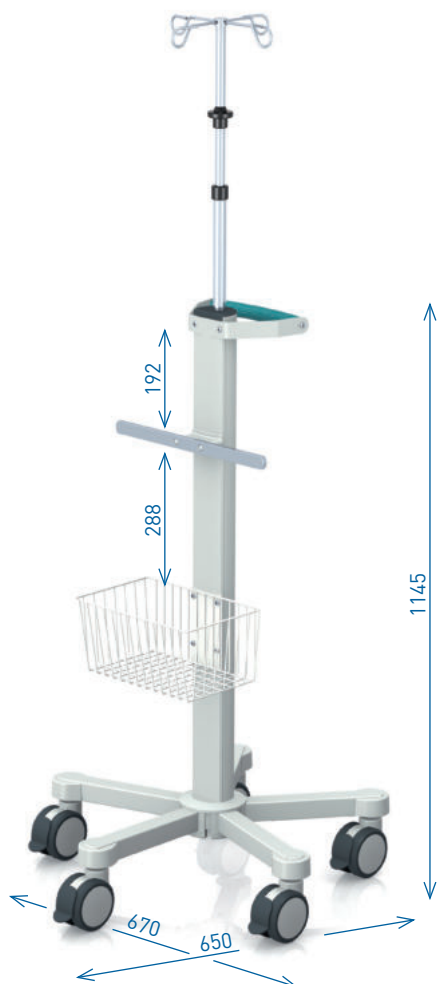
Item number: RS.4111.XXX ¹⁾

Equipment cart, 30 U (total height: 1145 mm), fitted with:

- 1 basic frame with 4 lockable twin castors Ø 100 mm
- 1 block of drawers with handle (front)
- 1 shelf
- 1 socket strip earthed, Schuko, 3-way, with on/off switch
- 1 cover strip
- 1 integrated cable strain relief

Installation height: 21 U (672 mm)
 Load capacity: 65 kg / 143 lbs
 Finish: RAL 7035 light grey powder-coated
 Decorative trims: corners and handle see ¹⁾
 Scope of delivery: assembled

Installation height: 30 U (960 mm)
 Load capacity: 65 kg / 143 lbs
 Finish: RAL 7035 light grey powder-coated
 Decorative trims: corners and handle see ¹⁾
 Scope of delivery: assembled



uni-cart with IV pole

Item number: RS.5800.XXX ¹⁾

Equipment cart, 30 U (total height: 1145 mm), fitted with:

- 1 basic frame with 5 lockable twin castors Ø 100 mm
- 1 IV pole
- 1 standard runner 390 mm x 10 mm x 25 mm (L x D x H)
- 1 storage basket, front
- 1 push handle, back
- 1 cover strip
- 1 integrated cable strain relief

Installation height: 30 U (960 mm)
 Load capacity: 50 kg / 110 lbs
 Finish: RAL 7035 light grey powder-coated
 Decorative trims: handle see ¹⁾
 Scope of delivery: assembled

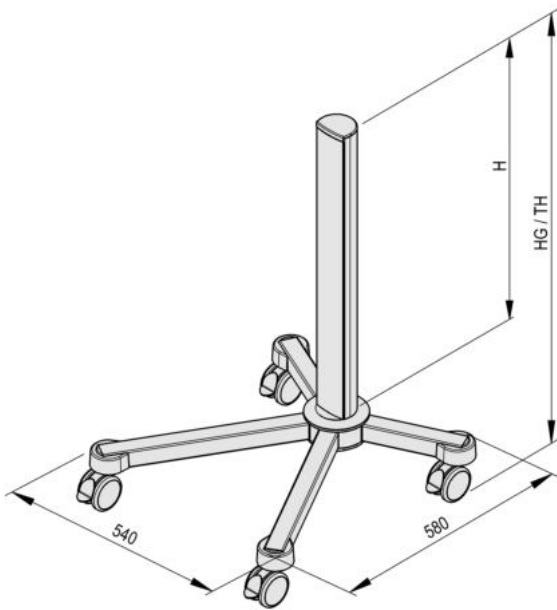
¹⁾ Decorative trims: please replace .XXX with .901 = RAL 5021 water blue, .902 = RAL 5013 cobalt blue, .903 = RAL 7035 light grey

BASIC FRAME WITH 4 STABILISERS uni-cart

Basic frame for uni-cart with 4 stabilisers

The uni-cart basic frame with 4 stabilisers provides high strength and stability particularly with expansive system modules such as drawers and shelves. The length of the stabiliser can be adapted to meet individual needs, so there is no risk of tipping and a high level of rigidity is ensured. The high-quality aluminium extrusion ensures safe and neat storage of cables and plugs, the integrated tension reliever protects against unauthorised disconnection of the device. Four lockable twin castors ensure high comfort while in motion and secure operational fixture.

Load capacity:	65 kg / 143 lbs
Material:	steel / aluminium / plastic
Finish:	RAL 7035 light grey powder-coated
Scope of delivery:	1 basic frame, partly assembled



Installation height H	Total height TH	Castors Ø	Item number
21 U (672 mm)	820 mm	75 mm	RS.4008.991
30 U (960 mm)	1145 mm	100 mm	RS.4011.991
35 U ¹⁾ (1120 mm)	1305 mm	100 mm	RS.4027.991
Counterweight set for 4 stabilisers (is integrated in the stabilisers at the factory)			RS.0344.999

Castor conversion kit for uni-cart with 4 stabilisers

For further requirements – as conversion kit instead of the specified standard design – the following castors are offered:

Scope of delivery: 1 castor conversion kit, 4 castors, each with wheel lock. Factory assembly only

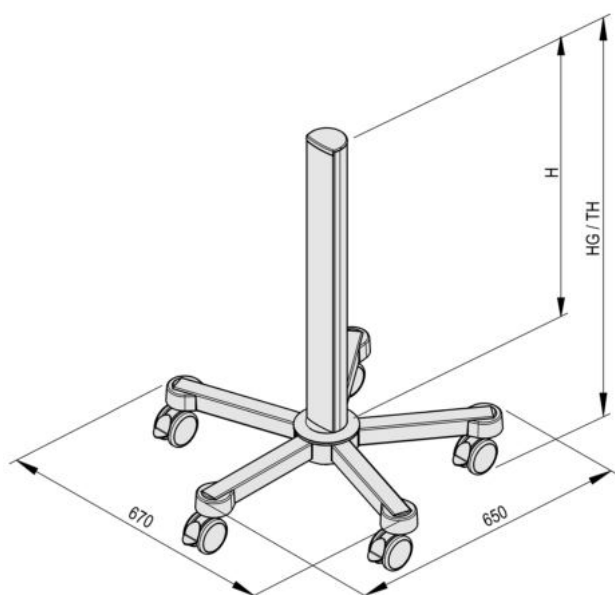
Castor conversion kit	Instead of standard	Item number
Ø 100 mm	Ø 75 mm	ZV.9920.999
Ø 100 mm, conductive	Ø 75 mm	ZV.9921.999
Ø 100 mm, conductive	Ø 100 mm	ZV.9922.999
Wall protector		ZV.9964.999

BASIC FRAME WITH 5 STABILISERS uni-cart

Basic frame for uni-cart with 5 stabilisers

The uni-cart basic frame with 5 stabilisers is particularly suitable for central loads, such as when attaching a monitor holder, an infusion holder or a gas bottle holder. The stabiliser can be adjusted in length to suit individual needs, therefore offering high stability and flexibility. The frame features high torsional rigidity within limited available space. The high-quality aluminium extrusion ensures safe and neat storage of cables and plugs and protection against unauthorised disconnection of the device through the integrated tension reliever. Five lockable twin castors ensure high comfort while in motion and secure operational fixture.

Load capacity:	50 kg / 110 lbs
Material:	steel / aluminium / plastic
Finish:	RAL 7035 light grey powder-coated
Scope of delivery:	1 basic frame, partly assembled



Installation height H	Total height TH	Castors Ø	Item number
21 U (672 mm)	820 mm	75 mm	RS.5008.991
30 U (960 mm)	1145 mm	100 mm	RS.5011.991
35 U ¹⁾ (1120 mm)	1305 mm	100 mm	RS.5024.991
Counterweight set for 5 stabilisers (is integrated in the stabilisers at the factory)			RS.0349.999

Castor conversion kit for uni-cart with 5 stabilisers

For further requirements – as conversion kit instead of the specified standard design – the following castors are offered:

Scope of delivery: 1 castor conversion kit, 5 castors, each with wheel lock. Factory assembly only

Castor conversion kit	Instead of standard	Item number
Ø 100 mm	Ø 75 mm	ZV.9926.999
Ø 100 mm, conductive	Ø 75 mm	ZV.9927.999
Ø 100 mm, conductive	Ø 100 mm	ZV.9929.999
Wall protector		ZV.9995.999

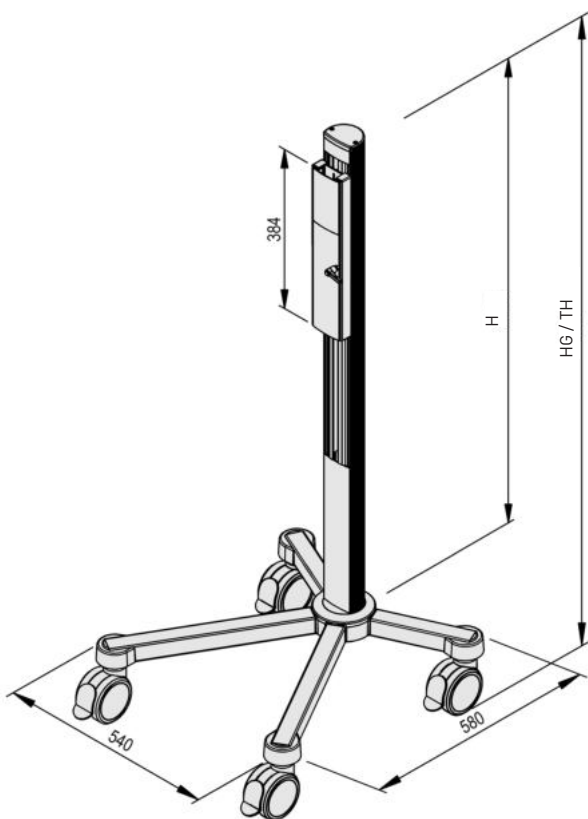
BASIC FRAME WITH MECHANICAL HEIGHT ADJUSTMENT uni-cart

Basic frame uni-cart with mechanical height adjustment

By means of a height adjustment mechanism, your workplace can be operated either sitting or standing. The height adjustment is mounted at the front of the vertical extrusion of the uni-cart basic frame. When lifting loads, the mechanical height adjustment is helped by a gas spring. Components and accessories can be mounted at a height of 12 U (384 mm) with a grid distance of 32 / 64 mm. The adjustment range is 300 or alternatively 500 mm and can be loaded with a weight of 3 to 10 kg / 6.6 - 22 lbs or from 10 up to 16 kg / 22 - 35.2 lbs. Four lockable twin castors (Ø 100 mm) ensure high comfort while in motion and secure operational fixture.

In the basic frame uni-cart with mechanical height adjustment the counterweight set is included.

- Load capacity: 65 kg / 143 lbs
- Material: steel / aluminium / plastic
- Finish: RAL 7035 light grey powder-coated, support column: anodised
- Scope of delivery: 1 basic frame, partly assembled



Installation height H	Total height TH	Load capacity of height adjustment	Adjustment range	Item number
35 E (1120 mm)	1306 mm	3-10 kg / 6.6-22 lbs	300 mm	RS.4033.991
35 E (1120 mm)	1306 mm	10-16 kg / 22-35.2 lbs	300 mm	RS.4034.991
40 E (1280 mm)	1466 mm	3-10 kg / 6.6-22 lbs	500 mm	RS.4041.991
40 E (1280 mm)	1466 mm	10-16 kg / 22-35.2 lbs	500 mm	RS.4043.991
45 E (1440 mm)	1626 mm	3-10 kg / 6.6-22 lbs	500 mm	RS.4040.991
45 E (1440 mm)	1626 mm	10-16 kg / 22-35.2 lbs	500 mm	RS.4042.991

BASIC FRAME WITH ELECTRIC HEIGHT ADJUSTMENT uni-cart

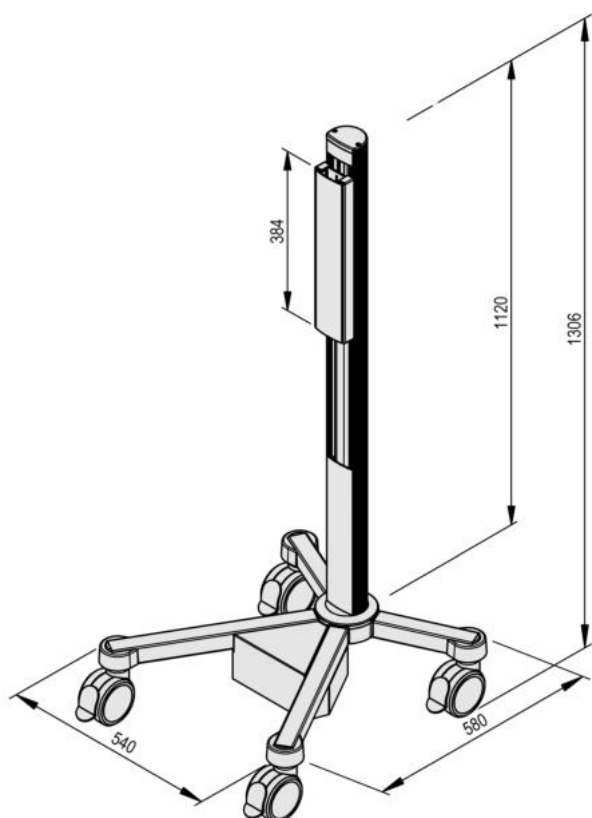
Basic frame uni-cart with electric height adjustment

By means of a height adjustment mechanism, your workplace can be operated either sitting or standing. The height adjustment is mounted at the front of the vertical extrusion of the basic frame uni-cart with an installation height 35 U (1120 mm). For linear drive, the electric height adjustment helps raise and lower the load. This is operated via cable-connected remote control. Components and accessories can be mounted at a height of 12 U (384 mm) on the slide in a grid of 32 / 64 mm. The adjustment range is 300 mm. The height adjustment can deal with a load weighing up to 20 kg / 44 lbs. The linear actuator of the height adjustment can be operated at 110 V or 230 V. Four lockable twin castors (Ø 100 mm) ensure high comfort while in motion and secure operational fixture.

In the basic frame uni-cart with electric height adjustment the counterweight set is included.

Total height: 1306 mm when with castors Ø 100 mm
Load capacity: 65 kg / 143 lbs
Material: steel / aluminium / plastic
Finish: RAL 7035 light grey powder-coated
Scope of delivery: 1 basic frame, partly assembled

uni-cart



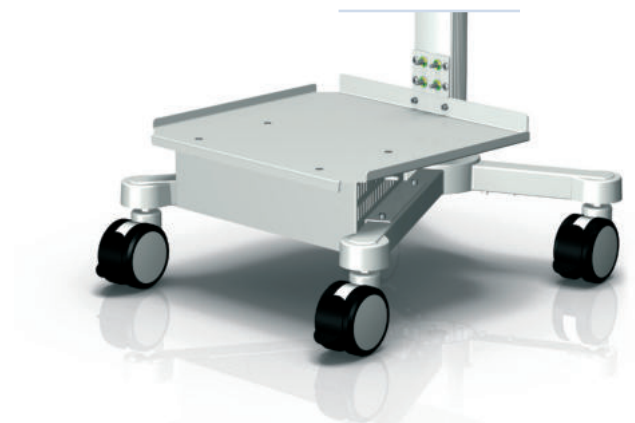
Designation	Load capacity of height adjustment	Input voltage	Item number
Basic frame with electric height adjustment	0-20 kg / 0-44 lbs	110 V and 50 / 60 Hz	RS.4035.991
Basic frame with electric height adjustment	0-20 kg / 0-44 lbs	230 V and 50 / 60 Hz	RS.4036.991

ISOLATING TRANSFORMER uni-cart

Isolating transformer for uni-cart with 4 stabilisers

The isolating transformer is used to reduce the dangers for patients and professionals posed by leakage by providing insulation to the network. Single-fault protection and potential-free voltage supply is guaranteed by the use of the isolating transformer. This allows a constant power supply for electro-medical equipment and a safe patient environment. The isolation transformer, in a protective conductor with a metal housing, is mounted between the two front stabilisers and has the following features:

Installation height:	3 U (96 mm) + 2 U (64 mm)
Power:	660 VA
Input / Output voltage:	115 V / 115 V or 230 V / 230 V, 50 Hz / 60 Hz – switchable
Power input:	IEC 320 EURO input for use of country-specific power cables
Design:	annular core transformer
Conditionally short-circuit proof:	in conformity with IEC 742 and IEC 601-1
Inrush current limitation:	electronically regulated to approx. 15 A
Safety class:	1
Insulation voltage:	4 KV
Fuse protection:	primary 2-phase
Material of enclosure:	steel
Finish:	RAL 7035 light grey powder-coated
Installation:	between two front stabilisers
Scope of delivery:	1 isolating transformer with base shelf, on/off Switch (on the right-hand side of the enclosure), 1 connection cable earthed Schuko 5 m, 3 EURO cable for connecting to the units and 1 panel with 4x equipotential bonding plugs mounted at the front of the column. Factory assembly only

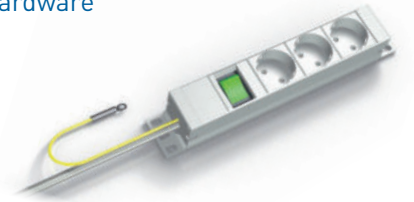


Designation	Power	Item number
Isolating transformer	660 VA	ZV.9412.999

SOCKET STRIPS uni-cart

Socket strip Schuko, 3-way, with switch, connection cable and earthing contact for uni-cart

Ratings: 16 A / 250 VAC
Installation: in the support column
Scope of delivery: 1 socket strip Schuko, including cover strip and mounting hardware



uni-cart

Designation	Connection cable	Standard	Item number
Socket strip Schuko, 3-way, with switch, connection cable and earthing contact	5 m	DIN VDE 0620-1	ZV.9844.991

Socket strip British Standard, 3-way, with switch, connection cable and earthing contact for uni-cart

Ratings: 13 A / 250 VAC
Installation: in the support column
Scope of delivery: 1 socket strip British Standard, including cover strip and mounting hardware



Designation	Connection cable	Standard	Item number
Socket strip British Standard, 3-way, with switch, connection cable and earthing contact	5 m	BS 1363	ZV.9758.991

Socket strip Swiss Standard, 3-way, with switch, connection cable and earthing contact for uni-cart

Ratings: 16 A / 250 VAC
Installation: in the support column
Scope of delivery: 1 socket strip Swiss Standard, including cover strip and mounting hardware



Designation	Connection cable	Standard	Item number
Socket strip Swiss Standard, 3-way, with switch, connection cable and earthing contact	5 m	SEV 1011	ZV.9848.991

Plug removal barriers are available in Chapter Accessories.

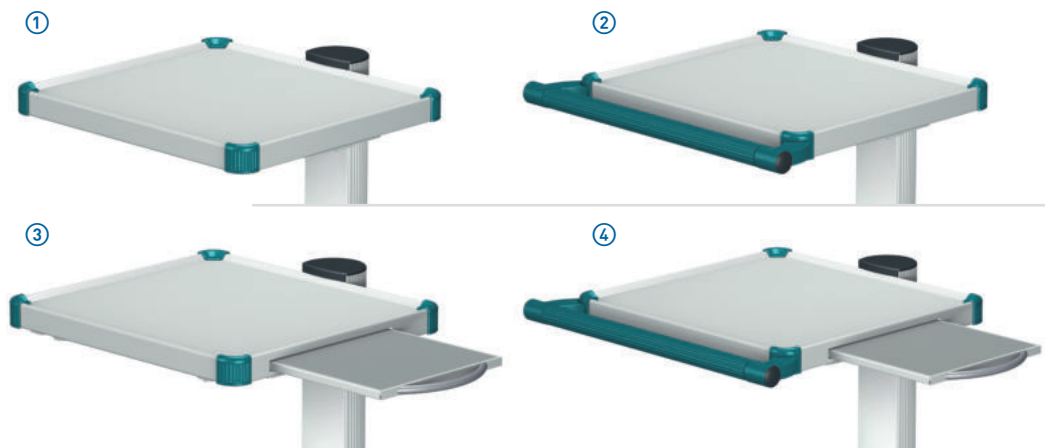
SHELVES uni-cart

Shelves for uni-cart

The shelves for the uni-cart are characterised by being spacious, with raised edges and rounded decorative corners. The low installation height saves space and creates valuable space for other system components. The shelves are available with various features such as handles or a mousepad. As standard, the integrated mousepad is fitted to extend to the right, but can on request be fitted to extend to the left.

uni-cart

Installation height: 3 U (96 mm)
 Dimensions: 400 mm x 360 mm (W x D)
 Usable area: 356 mm x 316 mm (W x D)
 Load capacity: 10 kg / 22 lbs distributed load
 Material: steel / aluminium
 Finish: RAL 7035 light grey powder-coated
 Decorative trims: corners and handle see ¹⁾
 Installation: in the front T-slots of support column
 Scope of delivery: 1 shelf including bracket and mounting hardware, pre-assembled



Designation	Item number
① Shelf	RS.4360.XXX ¹⁾
② Shelf with handle	RS.4361.XXX ¹⁾
③ Shelf with mousepad	RS.4370.XXX ¹⁾
④ Shelf with handle and mousepad	RS.4372.XXX ¹⁾

Base shelf for uni-cart

The base shelf provides a cost-effective option, e.g. for placing printers directly on the base of the equipment cart.

Installation height: 1 U (32 mm)
 Dimensions: 450 mm x 400 mm (W x D)
 Usable area: 450 mm x 400 mm (W x D)
 Load capacity: 20 kg / 44 lbs distributed load
 Material: steel
 Finish: RAL 7035 light grey powder-coated
 Installation: in the front T-slots of support column and at front stabilisers
 Scope of delivery: 1 base shelf including mounting hardware



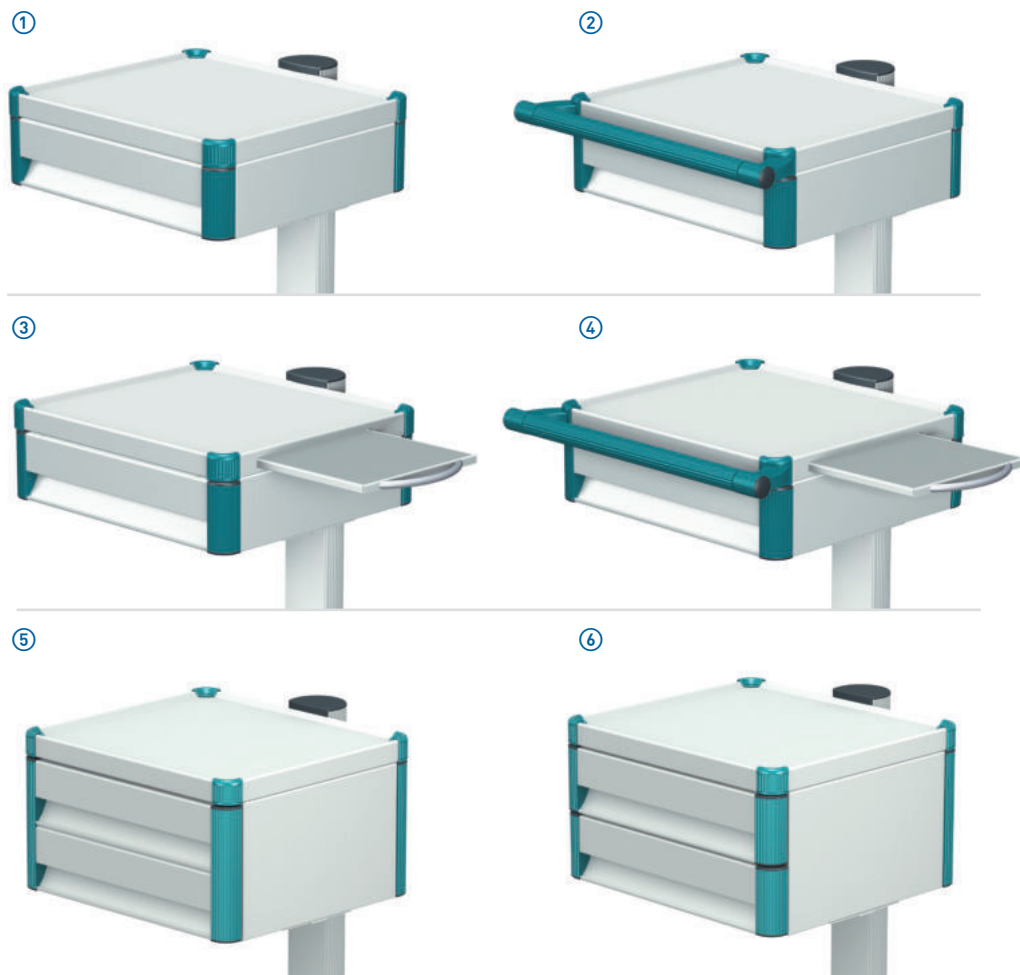
Designation	Item number
Base shelf	RS.0143.991

DRAWERS uni-cart

Block of drawers for uni-cart

The uni-cart drawers are designed as a complete unit. They are characterised by providing a large storage space and a smooth removable inner body. All the drawers are roller-guided and are easy and comfortable to use. The drawers are available with various features such as handles or a mousepad. As standard, the integrated mousepad is fitted to extend to the right, but can on request be fitted to extend to the left.

Dimensions:	400 mm x 360 mm (W x D)
Usable area:	356 mm x 316 mm (W x D)
Interior area:	block of drawers: 310 mm x 260 mm x 75 mm (W x D x H) block of drawers high: 310 mm x 260 mm x 175 mm (W x D x H)
Load capacity:	shelf: 10 kg / 22 lbs distributed load, drawer: 3 kg / 6.6 lbs distributed load
Material:	steel / aluminium / plastic
Finish:	RAL 7035 light grey powder-coated
Decorative trims:	corners and handle see ¹⁾
Installation:	in the front T-slots of support column
Scope of delivery:	1 block of drawers including bracket and mounting hardware, pre-assembled



Designation	Installation height	Item number
① Block of drawers	6 U (192 mm)	RS.4363.XXX ¹⁾
② Block of drawers with handle	6 U (192 mm)	RS.4364.XXX ¹⁾
③ Block of drawers with mousepad	6 U (192 mm)	RS.4369.XXX ¹⁾
④ Block of drawers with handle and mousepad	6 U (192 mm)	RS.4368.XXX ¹⁾
⑤ Block of drawers, 1 unit, high	9 U (288 mm)	RS.4381.XXX ¹⁾
⑥ Block of drawers, 2 units	9 U (288 mm)	RS.4389.XXX ¹⁾

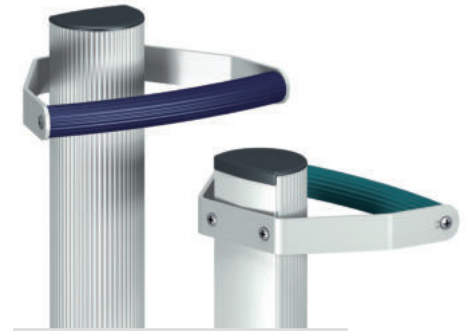
PUSH HANDLE uni-cart

Push handle for uni-cart

The push handle can be adjusted in 32 mm steps and can be attached at individual heights along the uni-cart support column.

uni-cart

Installation height: 1 U (32 mm)
Material: steel / aluminium
Finish: RAL 7035 light grey powder-coated
Decorative trims: handle see ¹⁾
Installation: in the front T-slots of support column
Scope of delivery: 1 handle including mounting hardware










Designation	Item number
Push handle for uni-cart	RS.0160.XXX ¹⁾

MONITOR HOLDERS uni-cart

Monitor holders for uni-cart

uni-cart

Installation	On the support column		At the front of the support column	
	 <p>± 20° tilt ± 170° swivel</p>		 <p>± 20° tilt ± 20° swivel</p>	
VESA 75 / 100	Monitor weight	Item number	Monitor weight	Item number
	0-14 kg / 0-30.8 lbs	RS.0408.991	0-14 kg / 0-30.8 lbs	TH.2002.991
	14-18 kg / 30.8- 39.6 lbs	RS.0409.991	14-18 kg / 30.8- 39.6 lbs	TH.2003.991
	 <p>± 15° tilt ± 170° swivel</p>		 <p>± 15° tilt ± 25° swivel</p>	
VESA 75 / 100 universal	Monitor weight	Item number	Monitor weight	Item number
	0-14 kg / 0-30.8 lbs	RS.0386.991	0-14 kg / 0-30.8 lbs	TS.6359.991
	 <p>± 15° tilt ± 170° swivel</p>			
VESA 75 / 100 adjustable	Monitor weight	Item number		
	0-14 kg / 0-30.8 lbs	RS.0325.991		
	<p>Adapter plates for universal adapter on page 149</p>  <p>± 15° tilt ± 170° swivel</p>			
Universal adapter	Monitor weight	Item number		
	0-14 kg / 0-30.8 lbs	RS.0109.800		
	 <p>± 15° tilt ± 170° swivel</p>			
Table Top Mount-Adapter (Philips)	Monitor weight	Item number		
	0-14 kg / 0-30.8 lbs	RS.0397.991		

Material:

steel / aluminium

Finish:

RAL 7035 light grey powder-coated, universal adapter: anodised

Scope of delivery:

1 monitor holder including mounting hardware and corresponding cap if necessary.

NB: Please note that the Table Top Mount adapter is supplied without a Table Top Mount!

vexio-cart

ADJUSTED TO SITUATION AND SPACE

The vexio-cart is a modern, single-column equipment cart with a maximum load of up to 65 kg / 143 lbs. This compact equipment cart has a modular configuration, which can be equipped with numerous system and accessory components. The vexio-cart is also available with an optional 660 VA isolating transformer, mechanical height adjustment and various decorative elements. Depending on the electrification requirements of your medical applications, the vexio-cart offers three variations of the basic frame: Economy, Profi and Plus.

The "Economy" vexio-cart is the basic version, which can be extended as required with various individual components. The "Profi" vexio-cart combines system components, such as an electric box and cable ducts, to provide you with an ordered cable management system for your device. The vexio-cart "Plus" offers a support column with a front-opening extrusion. This allows for the additional option of placing power outlets and electrical cabling within the support column.



ADJUSTED TO SITUATION AND SPACE

vexio-cart



The vexio-cart offers a slim and attractive design, as well as a modular construction that can be expanded at any point with additional system components and accessories.

The vexio-cart can be used for any number of applications within a clinical setting, such as in anaesthesia, physiotherapy, ultrasound diagnostics etc.



vexio-cart
Application for dermatology
© FotoFinder Systems GmbH



vexio-cart
Application for peripheral pressure analysis



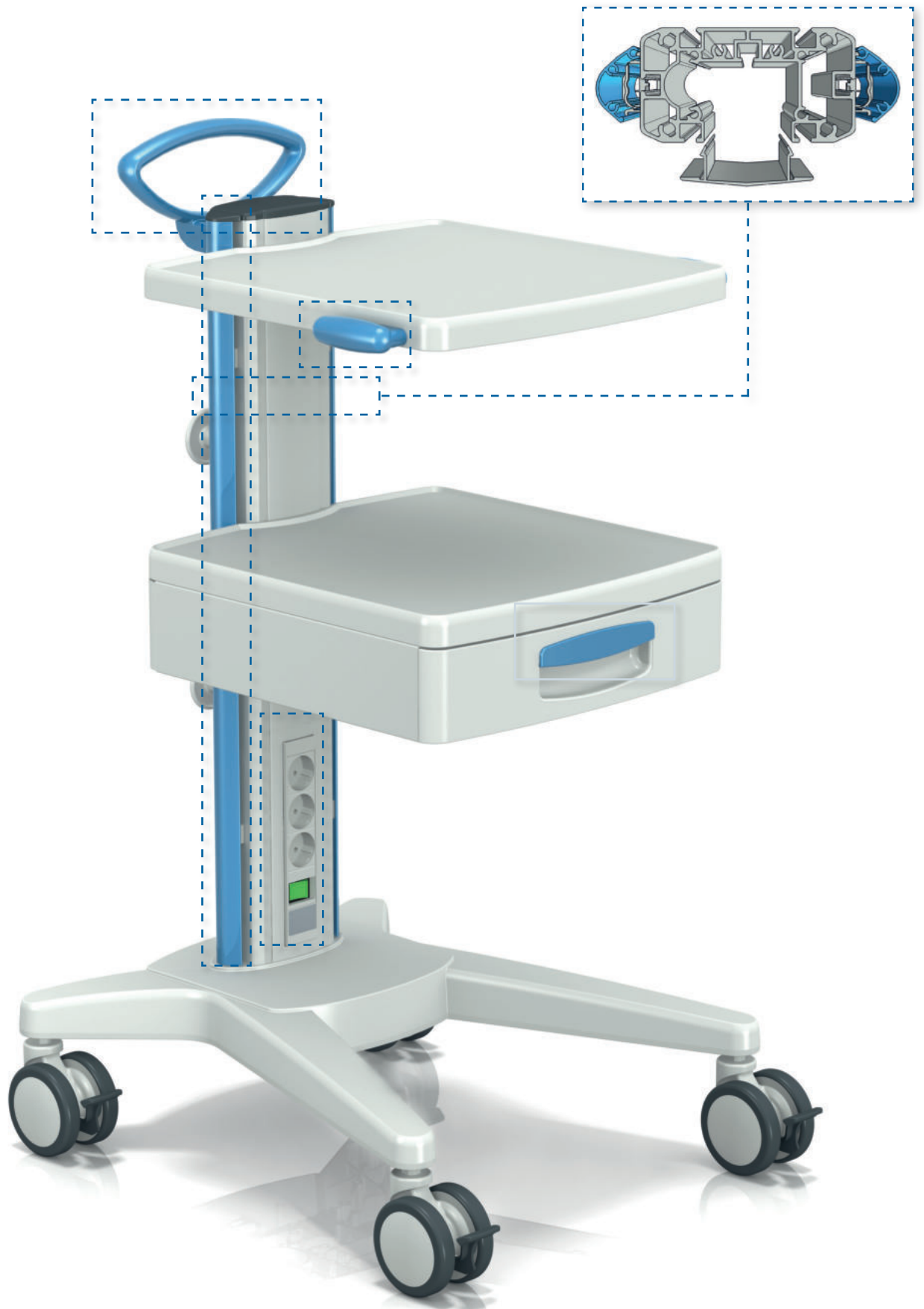
vexio-cart
Application for endoscopy



vexio-cart
Height adjustable PC workstation

vexio-cart – THE HIGHLIGHTS AT A GLANCE

vexio-cart



Efficient Product Design

- The diecast aluminium bases developed for the vexio-cart provide the user with a wide floor space with a high load capacity and a minimal installation height of only 32 mm.
- Telescopic rails with a self-closing mechanism prevent it from dislodging the drawer without locking. The rail technology allows full extension of the drawer, positively affecting the usable storage space of the drawer and making cleaning easier.
- The shape, choice of material and other components enable vexio-cart to offer a combination of light weight and robust stability.
- Cable ducts and handles provide the opportunity to bring the role of colour to the fore.

High flexibility

- The compact vertical extrusion offers space at the front and back for securing components and accessories.
- Components or cable ducts can be mounted flexibly or mounted in a grid, also on the sides of the support column.

Hygiene

- Through using hygienic strips and covers, the openings of the T-slots on the vertical extrusions can be closed. The surface of the entire cart is therefore virtually closed and can be cleaned easily.
- The hygiene of all ITD products is validated with the certificate of the German Society for Hospital Hygiene (DGKH).

Ergonomics

- Different installation heights and optional height adjustment together guarantee the user with a natural posture when working.
- A rear push handle and a locator on the shelves ensure easy movement and precise alignment of the trolley during transportation and when working.

Functional cable management and electrification

- Up to 3 cables can be routed in the side-mounted cable ducts, and these can be switched on and used at any desired height. The socket strip and cables can also be stored directly within the supporting column, making connecting the device easier.
- The optional electric box, which is mounted in the base, can accommodate a 3-way socket strip.
- An optional 660 VA isolating transformer offers reinforced insulation for the network and secures the patients' environment against dangerous leakage currents.

MODULARITY FOR NUMEROUS CONFIGURATION OPTIONS

The modular structure is the defining feature of the vexio-cart single-column equipment carts and the entire ITD product range, which allows all support systems to be configured, customised, upgraded or easily modified for special functions and application areas using the extensive standard range. This capability allows users to react fast and consistently to any changes or new customer requirements. The T-slots on the support column ensure easy assembly of the components. The display presented alongside shows a small selection of accessories for the vexio-cart equipment carts.

vexio-cart



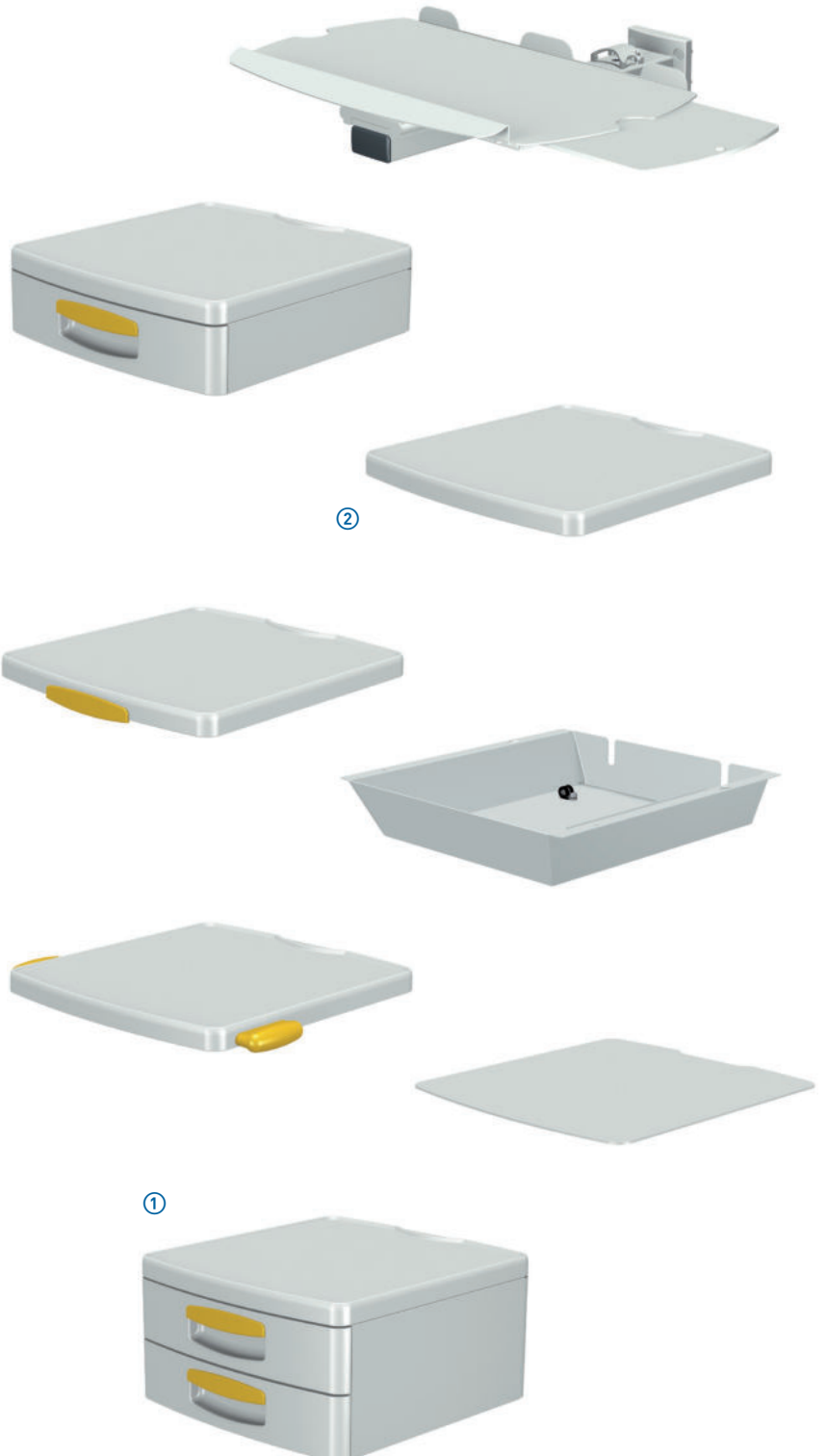
① Roller-guided, self-retracting 4/4 guide rails ensure easy handling of drawers and easy access to its content.

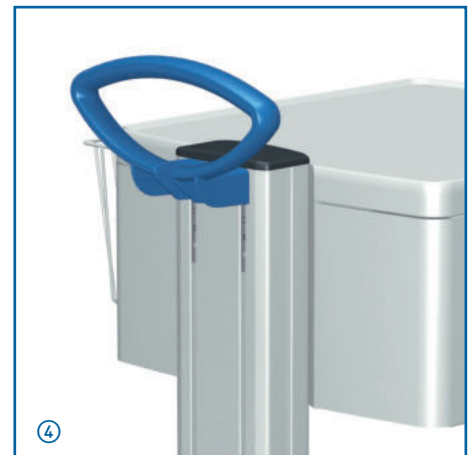
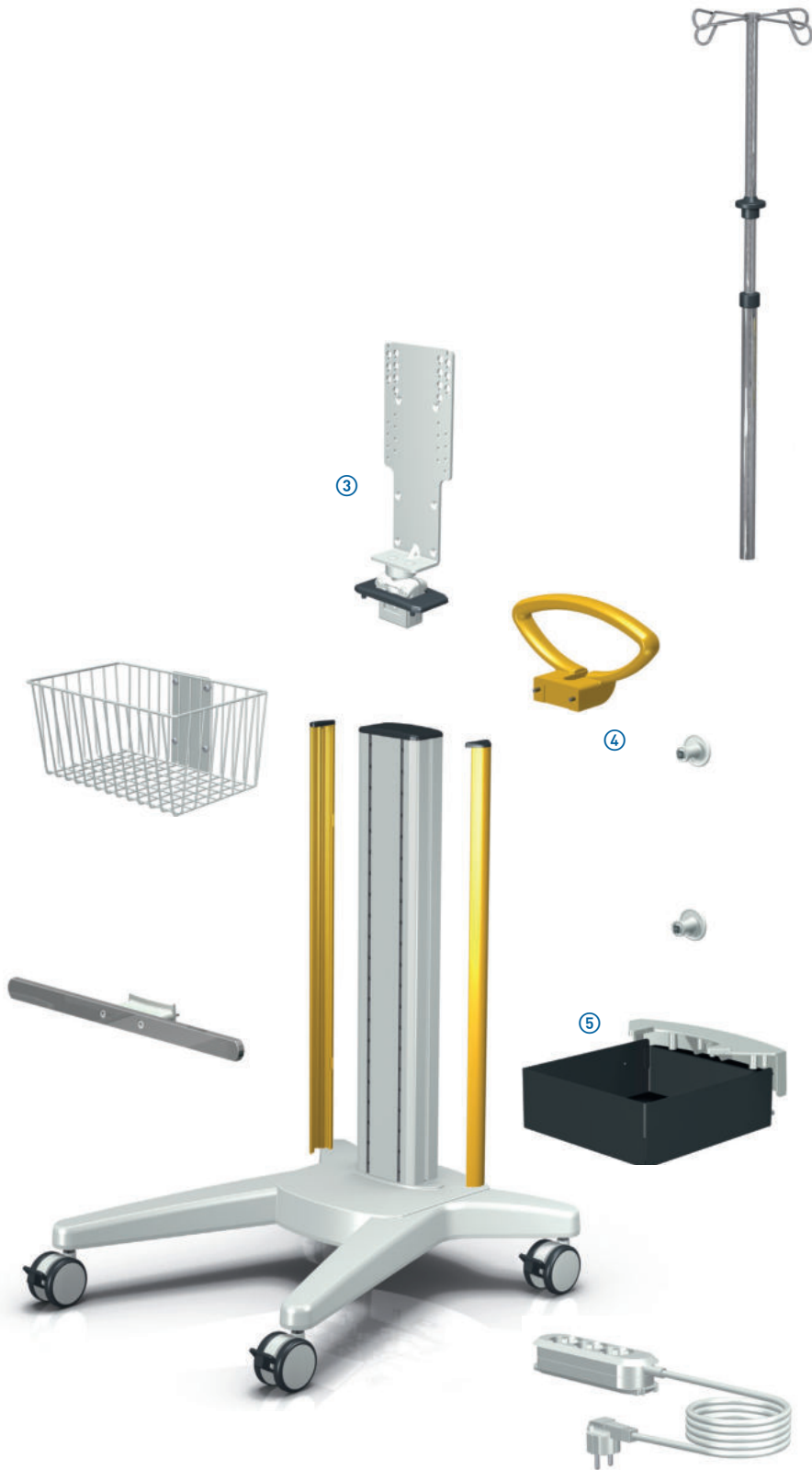


② The shelf can be supplied in different versions and the continuous raised edge offers your valuable equipment a secure platform.



③ A variety of holders are available for installing monitors, with VESA 75 / 100 adaptation, universal adapters or Table Top Mount Adapter units.





The push handle is held in a vertical position and can be used as a decorative element or as a cable winder.



Electric box provides a large storage space for different socket strips, power units, and excess cables.

ORDER CONFIGURATIONS

vexio-cart



vexio-cart basic version

Item number: NT.5000.XXX¹⁾

Equipment cart, 21 U (Total height: 830 mm), fitted with:

- 1 basic frame „Economy“ with 4 lockable twin castors Ø 75 mm
- 1 shelf
- 1 push handle, rear
- 2 hygiene strips, front

Installation height: 21 U (672 mm)
 Load capacity: 65 kg / 143 lbs
 Finish: RAL 7035 light grey powder-coated
 Decorative trims: push handle see ¹⁾
 Scope of delivery: assembled

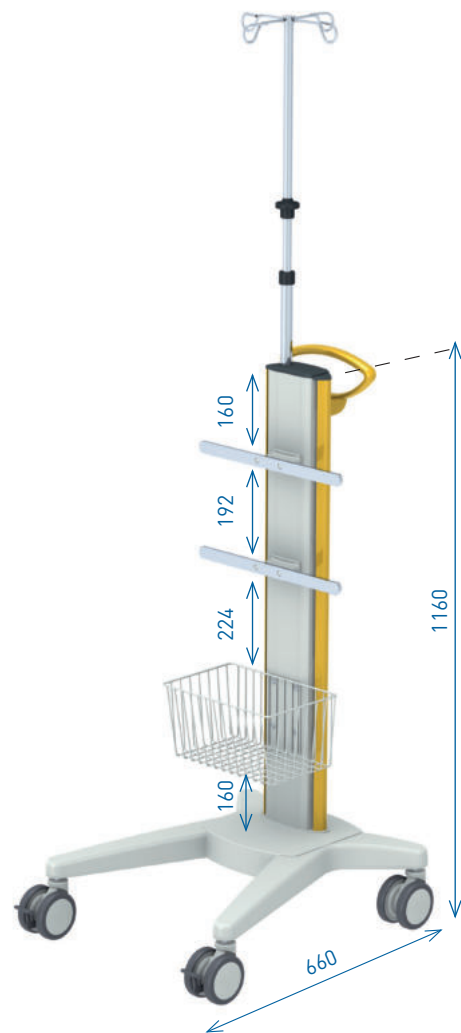
vexio-cart ECG cart

Item number: NT.5002.XXX¹⁾

Equipment cart, 25 U (Total height: 998 mm), fitted with:

- 1 basic frame „Economy“ with 4 lockable twin castors Ø 100 mm
- 1 electric box in the equipment cart base
- 1 block of drawers with handles at the side
- 1 storage basket, front
- 1 universal shelf
- 1 holder for suction system „Ergoline / Strässle“
- 1 push handle, rear
- 1 gel bottle holder
- 2 cable winders, rear
- 2 hygiene strips, front

Installation height: 25 U (800 mm)
 Load capacity: 65 kg / 143 lbs
 Finish: RAL 7035 light grey powder-coated
 Decorative trims: handles and push handle see ¹⁾
 Scope of delivery: assembled



vexio-cart with height adjustment

Item number for load capacity:

3-10 kg / 6.6 - 22 lbs: NT.5021.XXX¹⁾

10-16 kg / 22 - 35.2 lbs: NT.5022.XXX¹⁾

Equipment cart, 35 U (Total height: 1320 mm), fitted with:

- 1 basic frame „Plus“ with 4 lockable twin castors Ø 100 mm
- 1 mechanical height adjustment with manual locking
- 1 keyboard drawer with mouse pad
- 1 universal monitor bracket with VESA 75/100 adapter, up to 14 kg / 30.8 lbs, and small power pack holder
- 1 push handle, rear
- 2 cable winders, rear
- 1 socket strip, earthed, 3-way with on/off switch
- 2 „Economy“ cable ducts, side
- 2 hygiene strips, rear

Installation height: 35 U (1120 mm)

Load capacity: 65 kg / 143 lbs

Finish: RAL 7035 light grey powder-coated
Support column: anodised

Decorative trims: push handle see ¹⁾

Scope of delivery: assembled

vexio-cart with IV pole

Item number: NT.5006.XXX¹⁾

Equipment cart, 30 U (Total height: 1160 mm), fitted with:

- 1 basic frame „Economy“ with 4 lockable twin castors Ø 100 mm
- 2 standard runners 390 mm x 10 mm x 25 mm (L x D x H)
- 1 IV pole
- 1 storage basket, front
- 1 push handle, rear
- 1 cable harness, 3-way
- 1 POAG-Set with 3 leads
- 2 cable ducts, at the side
- 2 hygiene strips, front

Installation height: 30 U (960 mm)

Load capacity: 65 kg / 143 lbs

Finish: RAL 7035 light grey powder-coated

Decorative trims: push handle and cable ducts see ¹⁾

Scope of delivery: assembled

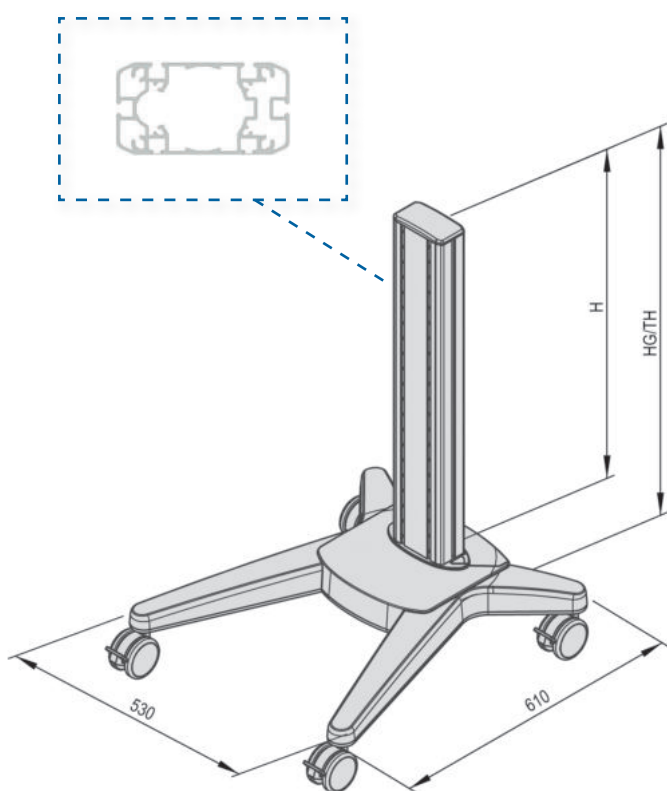
BASIC FRAME vexio-cart „Economy“

Basic frame vexio-cart „Economy“

The basic frame vexio-cart „Economy“ has a compact footprint and can accommodate a load of up to 65 kg / 143 lbs due to the high quality diecast base. System components and accessories can be mounted in the T-slots on each side of the support column. To accommodate drawers, shelves and other components two tapped hole rails are installed on the front. Four lockable twin castors ensure high comfort while in motion and secure operational fixture.

- Load capacity: 65 kg / 143 lbs
- Material: steel / aluminium
- Finish: RAL 7035 light grey powder-coated
- Scope of delivery: 1 basic frame „Economy“, assembled

vexio-cart



Installation height H	Total height TH	Castors Ø	Item number
21 U (672 mm)	830 mm	75 mm	NT.4000.991
25 U (800 mm)	998 mm	100 mm	NT.4001.991
30 U (960 mm)	1160 mm	100 mm	NT.4002.991
35 U (1120 mm)	1320 mm	100 mm	NT.4003.991
Counterweight set (is integrated in the front stabilisers at the factory)			NT.4140.800

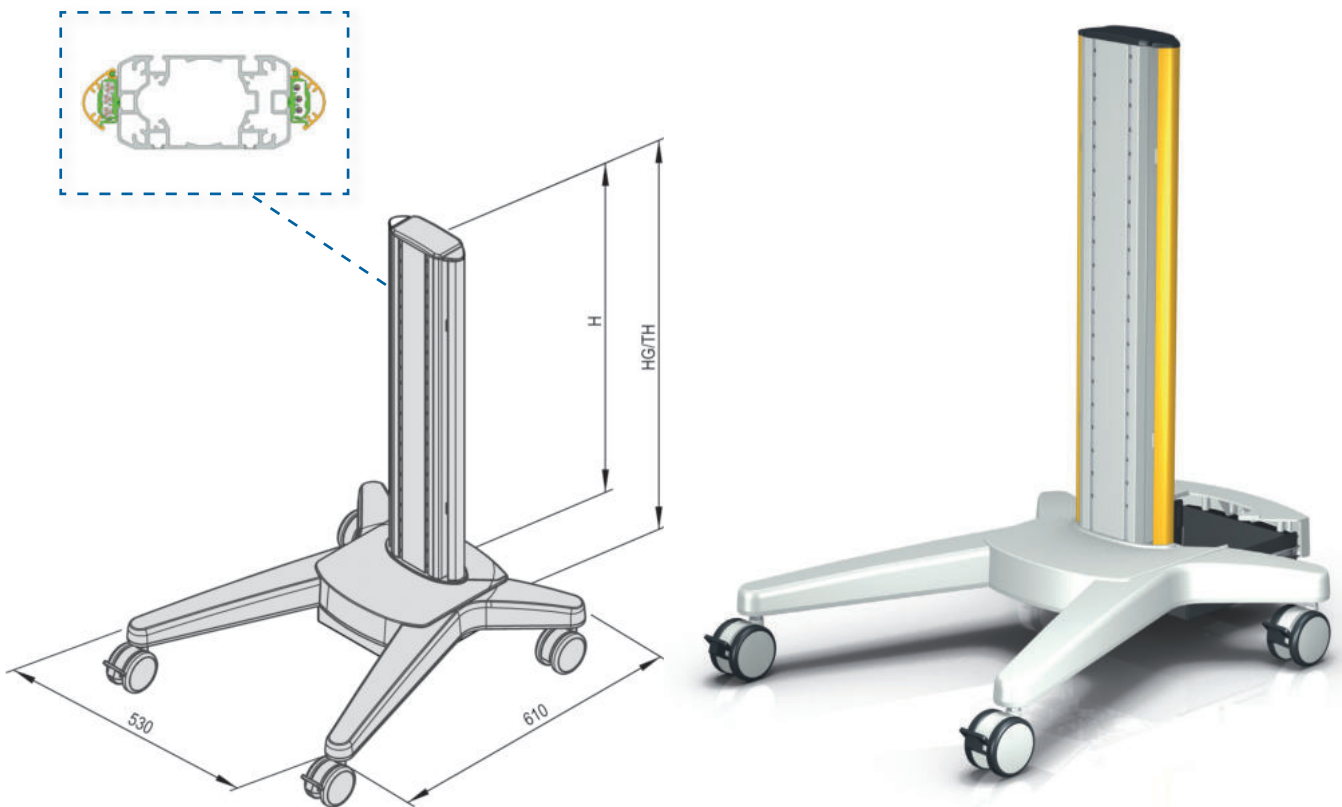
BASIC FRAME vexio-cart „Profi“

Basic frame vexio-cart „Profi“

In addition to the benefits offered by the “Economy” model, the basic frame of the “Profi” vexio-cart comes with an integrated electric box installed under the base. Here the cables and plugs are protected against unauthorised access by an integrated locking mechanism. The professional version is also equipped with two lateral cable ducts that allow separate power and data cable routing along the column and provide an attractive design interface for the customer’s CI. Four lockable twin castors ensure high comfort while in motion and secure operational fixture.

Load capacity: 65 kg / 143 lbs
 Material: steel / aluminium
 Finish: RAL 7035 light grey powder-coated
 Decorative trims: see ¹⁾; image RAL 1003 signal yellow
 Scope of delivery: 1 basic frame „Profi“, assembled

vexio-cart



Installation height H	Total height TH	Castors Ø	Item number
21 U (672 mm)	830 mm	75 mm	NT.4004.XXX ¹⁾
25 U (800 mm)	998 mm	100 mm	NT.4005.XXX ¹⁾
30 U (960 mm)	1160 mm	100 mm	NT.4006.XXX ¹⁾
35 U (1120 mm)	1320 mm	100 mm	NT.4007.XXX ¹⁾
Counterweight set (is integrated in the front stabilisers at the factory)			NT.4140.800

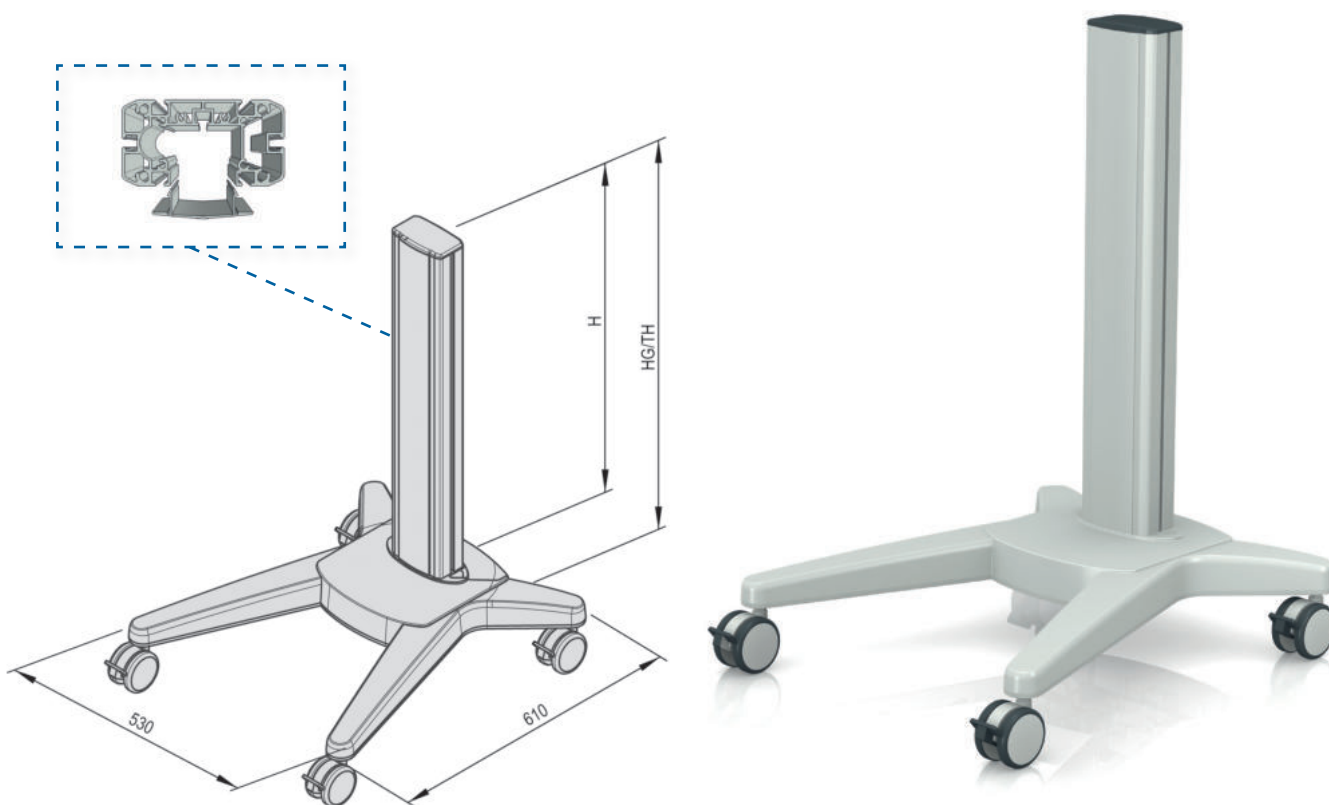
BASIC FRAME vexio-cart „Plus“

Basic frame vexio-cart „Plus“

The basic frame of the vexio-cart “Plus” has a compact base area and the high-quality diecast base which enables it to bear loads of up to 65 kg /143 lbs. The supporting column of the vexio-cart “Plus” offers a front-opening extrusion. This provides additional electrification and cabling possibilities within the supporting column. There is space for power outlets and electrical cabling within the supporting column, alongside the electric box and electric tray. Following the installation of all the components, the front-opening extrusion can be closed off to protect the cabling. Four lockable twin castors ensure high comfort while moving and secure fixing at the point of use.

- Load capacity: 65 kg / 143 lbs
- Material: steel / aluminium
- Finish: RAL 7035 light grey powder-coated
- Scope of delivery: 1 basic frame „Plus“, assembled

vexio-cart



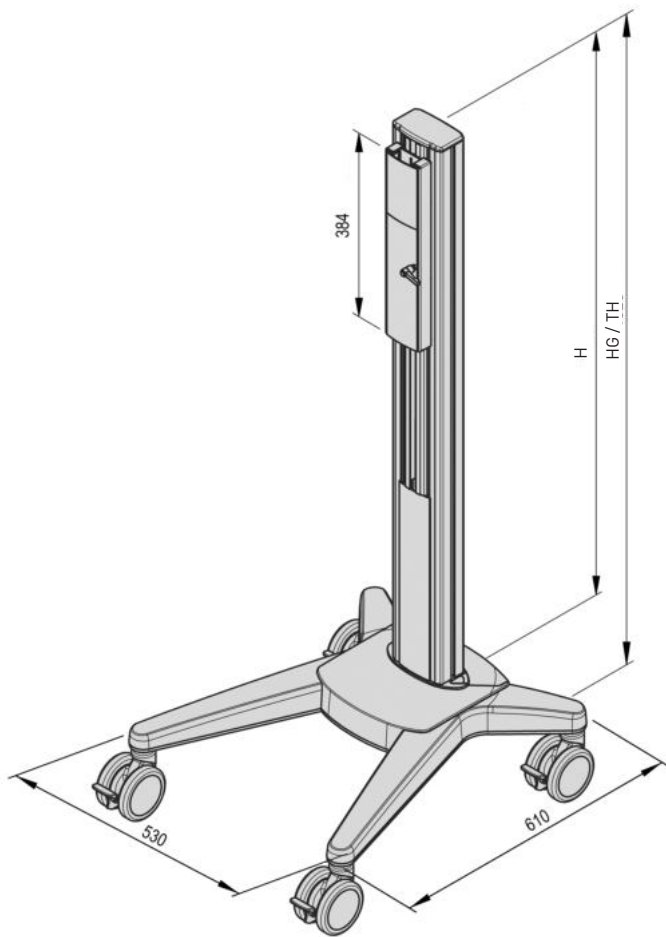
Installation height H	Total height TH	Castors Ø	Item number
21 U (672 mm)	830 mm	75 mm	NT.4050.991
25 U (800 mm)	998 mm	100 mm	NT.4051.991
30 U (960 mm)	1160 mm	100 mm	NT.4052.991
35 U (1120 mm)	1320 mm	100 mm	NT.4053.991
Counterweight set (is integrated in the front stabilisers at the factory)			NT.4140.800

BASIC FRAME WITH MECHANICAL HEIGHT ADJUSTMENT FOR vexio-cart

Basic frame vexio-cart with mechanical height adjustment with manual locking

By means of a height adjustment mechanism, your workplace can be operated either sitting or standing. The height adjustment is mounted at the front of the vertical extrusion of the vexio-cart basic frame. When lifting loads, the mechanical height adjustment is helped by a gas spring. Components and accessories can be mounted on the front of the height adjustment mechanism with a grid distance of 32 / 64 mm, as well as underneath it, or behind and down the sides of the supporting column. The adjustment range is 300 or alternatively 500 mm and can be loaded with a weight of 3 to 10 kg / 6.6 - 22 lbs or from 10 up to 16 kg / 22 - 35.2 lbs. Four lockable twin castors (Ø 100 mm) ensure high comfort while in motion and secure operational fixture. In the basic frame vexio-cart with mechanical height adjustment the counterweight set is included.

Load capacity: 65 kg / 143 lbs
 Material: steel / aluminium
 Finish: support column: anodised, base: RAL 7035 light grey powder-coated
 Scope of delivery: 1 basic frame, assembled



vexio-cart

Installation height H	Total height TH	Load capacity of height adjustment	Adjustment range	Item number
35 U (1120 mm)	1320 mm	3-10 kg / 6.6-22 lbs	300 mm	NT.4025.991
35 U (1120 mm)	1320 mm	10-16 kg / 22-35.2 lbs	300 mm	NT.4027.991
40 U (1280 mm)	1480 mm	3-10 kg / 6.6-22 lbs	500 mm	NT.4029.991
40 U (1280 mm)	1480 mm	10-16 kg / 22-35.2 lbs	500 mm	NT.4031.991
45 U (1440 mm)	1640 mm	3-10 kg / 6.6-22 lbs	500 mm	NT.4030.991
45 U (1440 mm)	1640 mm	10-16 kg / 22-35.2 lbs	500 mm	NT.4032.991

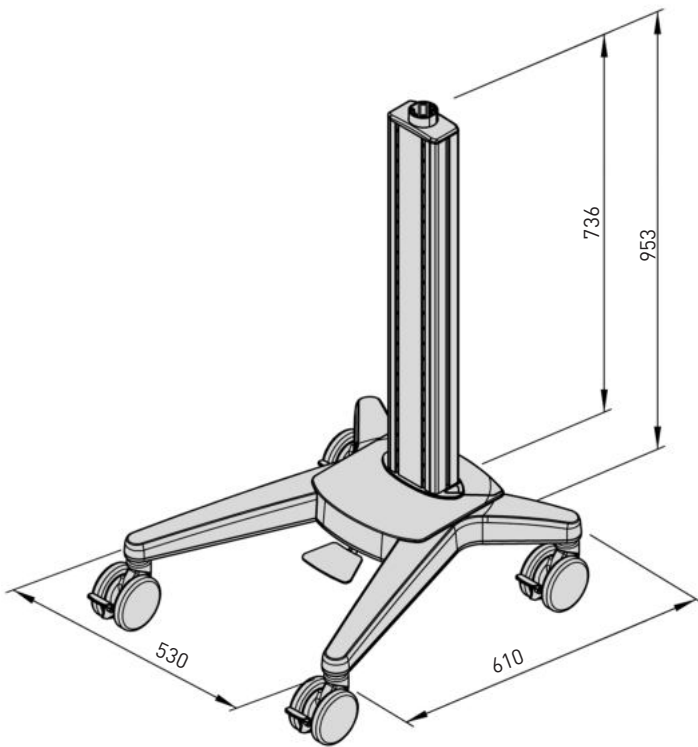
BASIC FRAME WITH MECHANICAL HEIGHT ADJUSTMENT FOR vexio-cart

Basic frame vexio-cart with mechanical height adjustment with release pedal

By means of a height adjustment mechanism, your workplace can be operated either sitting or standing. This basic frame vexio-cart with a mechanical height adjustment facility is available both with and without an electric box. The height adjustment is installed in the basic frame vexio-cart with an installation height of 23 U (736 mm). There is a release pedal that can be found between the front stabilisers at the base. A gas pressure spring helps when lifting loads. The adjustment range is 300 mm and can be loaded with a weight of 3 to 10 kg / 6.6 - 22 lbs or from 8 up to 14 kg / 17.6 - 30.8 lbs. Four lockable twin castors (Ø 100 mm) ensure high comfort while in motion and secure operational fixture.

vexio-cart

Total height: 953 mm when with castors Ø 100 mm
 Load capacity: 65 kg / 143 lbs
 Material: steel / aluminium
 Finish: support column: anodised, base: RAL 7035 light grey powder-coated
 Scope of delivery: 1 basic frame, assembled



Basic frame with mechanical height adjustment	Load capacity of height adjustment 3-10 kg / 6.6-22 lbs	Load capacity of height adjustment 8-14 kg / 17.6-30.8 lbs
① without Electric box	NT.4141.991	NT.4008.991
② with Electric box	NT.4142.991	NT.4009.991

BASIC FRAME WITH MECHANICAL HEIGHT ADJUSTMENT FOR vexio-cart

Monitor holder with VESA 75 / 100 adaptation and keyboard shelf

This monitor holder with VESA 75 / 100 adaptation and keyboard shelf has been developed especially for the basic frame with mechanical height adjustment with release pedal for the vexio-cart. Under the keyboard shelf is a mouse-pad that extends to the left or right. The monitor mount can be tilted by $\pm 20^\circ$.

Load capacity: monitor holder: 14 kg / 30.8 lbs; keyboard shelf: 5 kg / 11 lbs distributed load
Material: steel / aluminium
Finish: RAL 7035 light grey powder-coated
Scope of delivery: 1 monitor holder with VESA 75 / 100 adaptation and keyboard shelf, factory assembly only



vexio-cart

Designation	Item number
Monitor holder with VESA 75 / 100 adaptation and keyboard shelf	NT.2007.991

Monitor holder with VESA 100 / 200 / 300 adaptation and locators

This monitor holder with VESA 100 / 200 / 300 and locators has been developed especially for the basic frame vexio-cart with mechanical height adjustment with release pedal. The diecast aluminium locators are powder-coated and available in different colours. They are used for easy positioning of the trolley during operation. The monitor holder can be tilted to $\pm 20^\circ$.

Load capacity: monitor holder: 14 kg / 30.8 lbs
Material: steel
Finish: RAL 7035 light grey powder-coated
Scope of delivery: 1 monitor holder with VESA 100 / 200 / 300 adaptation and locators, factory assembly only



Designation	Item number
Monitor holder with VESA 100 / 200 / 300 adaptation and locators	NT.2065.XXX ¹⁾

BASIC FRAME vexio-cart

Castor conversion kit for basic frame vexio-cart

For further requirements – as conversion kit instead of the specified standard design – the following castors are offered:

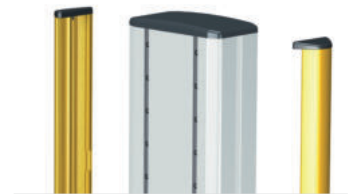
Scope of delivery: 1 castor conversion kit, 4 castors, each with wheel lock. Factory assembly only

Castor conversion kit	Instead of standard	Item number
Ø 100 mm	Ø 75 mm	ZV.9716.999
Ø 100 mm, conductive	Ø 75 mm	ZV.9717.999
Ø 100 mm, conductive	Ø 100 mm	ZV.9428.999
Ø 125 mm, conductive	Ø 100 mm	ZV.9923.999
Ø 125 mm, conductive	Ø 100 mm, conductive	ZV.9924.999
Wall protector		ZV.9964.999

Cable ducts for basic frame vexio-cart „Economy“ and vexio-cart „Plus“

The cable ducts are laterally attached to the support column and allow separate, higher-level management of data and power cables along the support column. The cable ducts are hinged on both sides providing easy access to the cables in case of service.

Material: aluminium
Finish: see ¹⁾ powder-coated
Scope of delivery: 2 cable ducts with tappen strips including mounting hardware

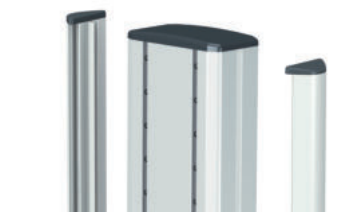


Installation height	Item number
21 U (672 mm)	NT.4112.XXX ¹⁾
23 U (736 mm)	NT.4113.XXX ¹⁾
25 U (800 mm)	NT.4114.XXX ¹⁾
30 U (960 mm)	NT.4115.XXX ¹⁾
35 U (1120 mm)	NT.4116.XXX ¹⁾

Cable ducts „Economy“ for basic frame vexio-cart „Economy“ and vexio-cart „Plus“

The cable ducts can be clipped onto the sides into the „Economy“ model T-slots without the need for tools and allow separate routing of data and power cables along the support column.

Material: plastic PVC-U and PVC-C
Finish: RAL 7035 light grey
Scope of delivery: 2 cable ducts



Installation height	Item number
21 U (672 mm)	NT.4155.991
23 U (736 mm)	NT.4156.991
25 U (800 mm)	NT.4157.991
30 U (960 mm)	NT.4158.991
35 U (1120 mm)	NT.4159.991

BASIC FRAME vexio-cart

Hygiene strips for basic frame vexio-cart

The hygiene strips are available for all variants of the base frame and cover the T-slots on all sides of the support column. They protect against contamination and allow the frame to be quickly wiped clean or disinfected.

Material: plastic PVC-U
Finish: RAL 7035 light grey
Scope of delivery: 6 hygiene strips



Installation height	Item number
21 U (672 mm)	NT.4128.991
23 U (736 mm)	NT.4139.991
25 U (800 mm)	NT.4129.991
30 U (960 mm)	NT.4130.991
35 U (1120 mm)	NT.4131.991

Electric box for basic frame vexio-cart „Economy“ and vexio-cart „Plus“

The electric box is mounted underneath the basic frame „Economy“ or „Plus“ to neatly and securely accommodate power strips or electrical accessories. The electric box is similar to a lockable drawer. The drawer is roller-guided and therefore easily extendable. It is included as standard with the basic frame vexio-cart „Profi“

Load capacity: 3 kg / 6.6 lbs distributed load
Material: steel / plastic ABS
Finish: cover: RAL 7035 light grey, electric box: RAL 7043 traffic grey powder-coated
Installation: under the equipment cart base
Scope of delivery: 1 electric box, telescopic guides including mounting hardware, pre-assembled



Designation	Item number
Electric box, lockable	NT.4121.800

The electric box cannot be combined with a vexio-cart isolating transformer.

ISOLATING TRANSFORMER vexio-cart

Isolating transformer for vexio-cart

The isolating transformer is used to reduce the dangers for patients and professionals posed by leakage by providing insulation to the network. Single-fault protection and potential-free voltage supply is guaranteed by the use of the isolating transformer. This allows a constant power supply for electro-medical equipment and a safe patient environment. The isolation transformer, in a protective conductor with a metal housing, is mounted under the basic frame and has the following features:

Power:	660 VA
Input / Output voltage:	115 V / 115 V or 230 V / 230 V, 50 Hz / 60 Hz – switchable
Power input:	IEC 320 EURO input for use of country-specific power cables
Design:	annular core transformer
Conditionally short-circuit proof:	in conformity with IEC 742 and IEC 601-1
Inrush current limitation:	electronically regulated to approx. 15 A
Safety class:	1
Insulation voltage:	4 KV
Fuse protection:	primary 2-phase
Material of enclosure:	steel
Finish:	RAL 7035 light grey powder-coated
Installation:	under the basic frame
Scope of delivery:	1 isolating transformer, 1 earthed power cable 5 m, 1 cable harness for the connection of 3 devices with IEC 320 socket strip. Factory assembly only.



Isolating transformer for vexio-cart	Power	Item number
Isolating transformer for vexio-cart „Economy“	660 VA	ZV.9288.999
Isolating transformer for vexio-cart „Plus“	660 VA	ZV.9289.999

On / Off switch in the cover cap of support column	NT.2070.999
---	--------------------

An on/off switch is only available with the vexio-cart “Plus” basic frame.

CABLE HARNESS / POAG SETS vexio-cart

Cable harness, 3-way for vexio-cart

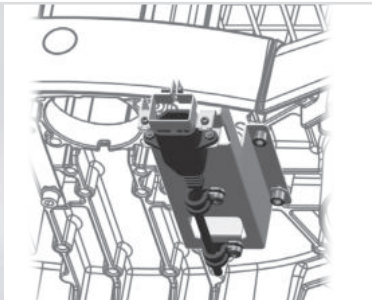
Instead of an electric box with socket for the electrification, there is a 3-way cable harness. The 3 cables of different lengths can be fed through the cable duct at different heights. Excess lengths of cable can optionally be stowed neatly beneath the base. The connection to the power supply is from below the base.

Material: steel / plastic / copper
 Finish: RAL 7035 light grey powder-coated
 Installation: under the equipment cart base
 Scope of delivery: 1 cable harness 3-way, 1 transfer point, including mounting hardware, pre-assembled

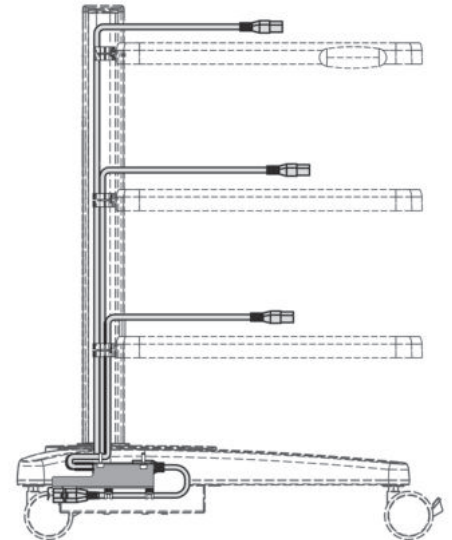
vexio-cart



Cable harness, 3-way



Transfer point below the base



Scheme - Application Example

Designation	Item number
Cable harness, 3-way	ZV.9572.999

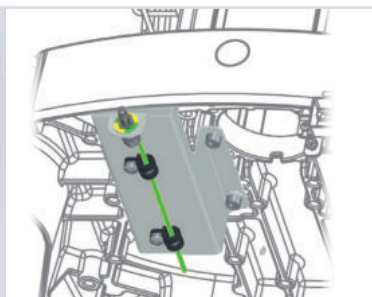
Equipotential set POAG for vexio-cart

The POAG set for the vexio-cart is available for the „Economy“ or „Profi“ versions. The POAG cables with connectors are attached at the required height to the lateral tapped strips. The connection to the power supply in the „Economy“ version is below the base and in the „Profi“ version through the electric box.

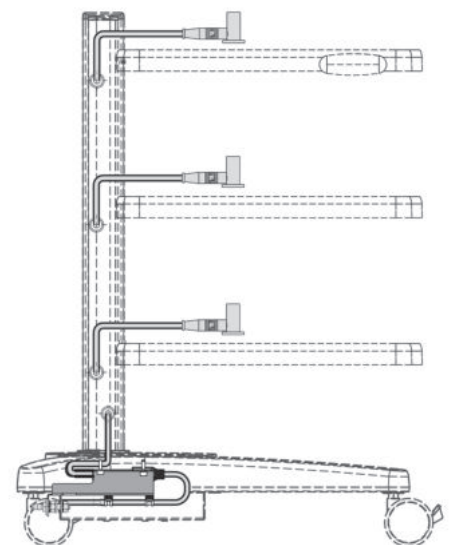
Material: steel / plastic / copper
 Finish: RAL 7035 light grey powder-coated
 Installation: under the equipment cart base
 Scope of delivery: 1 POAG set with carrier and leads or only with leads, including mounting hardware, pre-assembled



POAG set with cable



Socket underneath the base



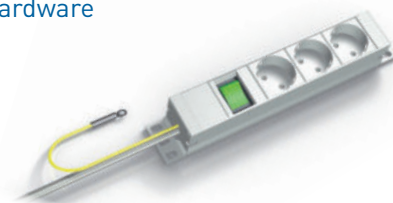
Scheme - Application Example

Designation	Item number
POAG set with cable and socket for vexio-cart „Economy“	ZV.9573.999
POAG set with cable for vexio-cart „Profi“	ZV.9574.999

SOCKET STRIPS vexio-cart „Plus“

Socket strip Schuko, 3-way, with switch, connection cable and earthing contact for vexio-cart „Plus“

Ratings: 16 A / 250 VAC
Installation: in the support column
Scope of delivery: 1 socket strip Schuko, including cover strip and mounting hardware



Designation	Connection cable	Standard	Item number
Socket strip Schuko, 3-way, with switch, connection cable and earthing contact	5 m	DIN VDE 0620-1	ZV.9844.991

Socket strip British Standard, 3-way, with switch, connection cable and earthing contact for vexio-cart „Plus“

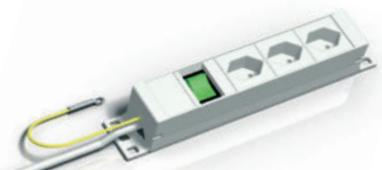
Ratings: 13 A / 250 VAC
Installation: in the support column
Scope of delivery: 1 socket strip British Standard, including cover strip and mounting hardware



Designation	Connection cable	Standard	Item number
Socket strip British Standard, 3-way, with switch, connection cable and earthing contact	5 m	BS 1363	ZV.9758.991

Socket strip Swiss Standard, 3-way, with switch, connection cable and earthing contact for vexio-cart „Plus“

Ratings: 16 A / 250 VAC
Installation: in the support column
Scope of delivery: 1 socket strip Swiss Standard, including cover strip and mounting hardware



Designation	Connection cable	Standard	Item number
Socket strip Swiss Standard, 3-way, with switch, connection cable and earthing contact	5 m	SEV 1011	ZV.9848.991

Plug removal barriers are available in Chapter Accessories.

SOCKET STRIPS vexio-cart

EURO socket strip, 3-way with earthing contact for vexio-cart

Ratings: 10 A / 250 VAC
Installation: inside electric box or electric tray
Scope of delivery: 1 EURO socket strip, including mounting hardware



Designation	Connection cable	Standard	Item number
EURO socket strip, 3-way with earthing contact	without	IEC 320	ZV.9517.999

The corresponding connection cable must be ordered separately and can be found in the Chapter Accessories.

Socket strip Schuko, 3-way for vexio-cart

Ratings: 16 A / 250 VAC
Installation: inside electric box or electric tray
Scope of delivery: 1 socket strip Schuko, including mounting hardware



Designation	Connection cable	Standard	Item number
Socket strip Schuko, 3-way	3 m	DIN VDE 0620-1	ZV.9516.999

Socket strip British Standard, 4-way for vexio-cart

Ratings: 13 A / 250 VAC
Installation: inside electric tray
Scope of deliver: 1 socket strip British Standard, including mounting hardware



Designation	Connection cable	Standard	Item number
Socket strip British Standard, 4-way	5 m	BS 1363	ZV.9694.999

Socket strip French Standard, 3-way with earthing contact for vexio-cart

Ratings: 16 A / 250 VAC
Installation: inside electric box or electric tray
Scope of delivery: 1 socket strip French Standard, including mounting hardware



Designation	Connection cable	Standard	Item number
Socket strip French Standard, 3-way with earthing contact	5 m	CEE7, UTE	ZV.9397.999

Socket strip Swiss Standard, 3-way, with earthing contact for vexio-cart

Ratings: 13 A / 250 VAC
Installation: inside electric box or electric tray
Scope of delivery: 1 socket strip Swiss Standard, including mounting hardware



Designation	Connection cable	Standard	Item number
Socket strip Swiss Standard, 3-way with earthing contact	5 m	SEV 1011	ZV.9518.999

SHELVES vexio-cart

Shelves for vexio-cart

The shelves for the vexio-cart are characterised by being spacious, with raised edges and rounded corners. The low installation height saves space and creates valuable space for other system components. The shelves are available with various features such as handles or a mousepad. The integrated mousepad is extendable to the right and to the left. The handles are available in different colours.

Installation height:	1 U (32 mm)
Dimensions:	424 mm x 430 mm (W x D)
Usable area:	400 mm x 384 mm (W x D)
Load capacity:	20 kg / 44 lbs distributed load
Material:	aluminium
Finish:	RAL 7035 light grey powder-coated
Decorative trims:	handles see ¹⁾
Installation:	in the front T-slots of support column
Scope of delivery:	1 shelf including mounting hardware, pre-assembled

vexio-cart



Designation	Item number
① Shelf	NT.4100.991
② Shelf with handles at the side	NT.4101.XXX ¹⁾
③ Shelf with handle	NT.4102.XXX ¹⁾
④ Shelf with mousepad	NT.4103.991
⑤ Shelf with handle and mousepad	NT.4109.XXX ¹⁾

Universal shelf for vexio-cart

The universal shelf can be ordered individually and adapted to the footprint of the device and is almost invisible.

Installation height:	2 U (64 mm)
Usable area:	400 mm x 400 mm (W x D)
Load capacity:	20 kg / 44 lbs distributed load
Material:	steel / aluminium
Finish:	RAL 7035 light grey powder-coated
Installation:	in the front T-slots of support column
Scope of delivery:	1 universal shelf including mounting hardware, pre-assembled



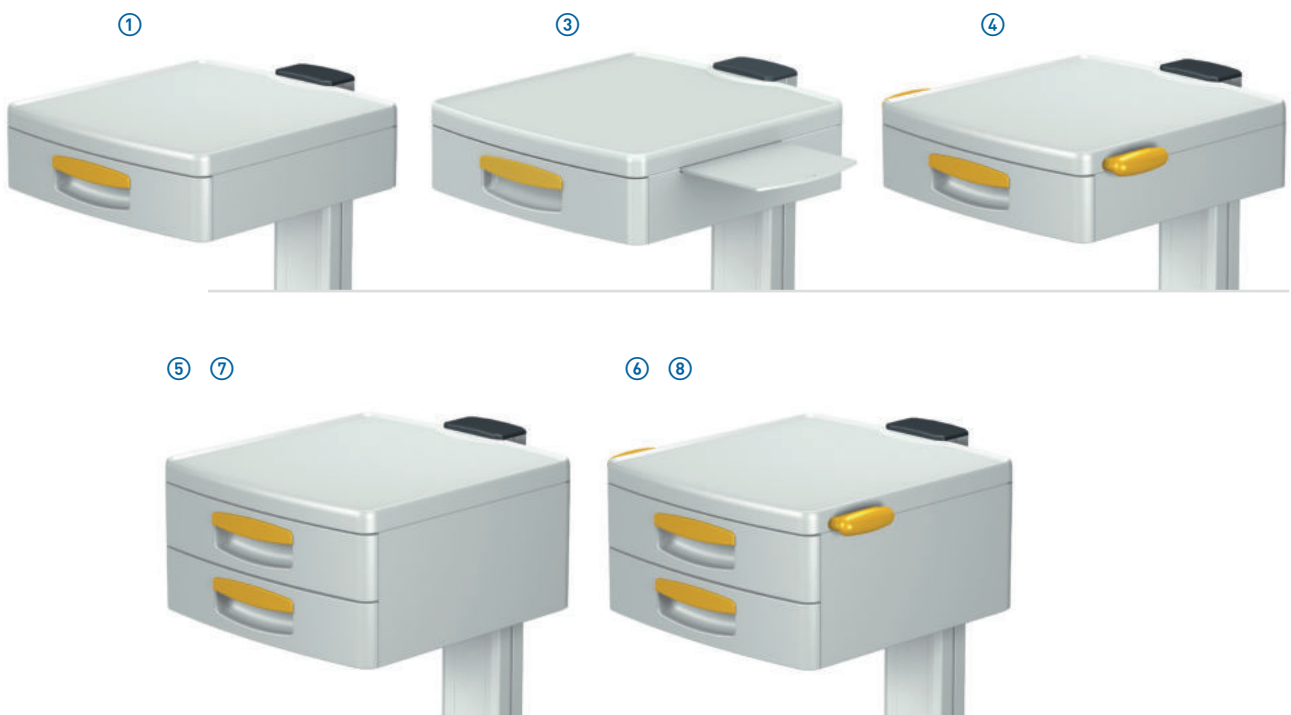
Designation	Item number
Universal shelf	NT.4124.991
Customised sizes are available on request	

DRAWERS vexio-cart

Drawers for vexio-cart

The vexio-cart drawers are designed as a complete unit. The drawers are available with various features such as handles or a mousepad. As standard, the integrated mousepad is extendable to the right and to the left. The fully extendable telescopic rails with a self-closing mechanism prevent it from dislodging the drawer without locking. The fully extendable rail technology maximises the storage space of the drawer and makes cleaning easier.

Dimensions:	424 mm x 430 mm (W x D)
Usable area:	400 mm x 384 mm (W x D)
Interior area:	block of drawers: 380 mm x 390 mm x 90 mm (W x D x H) block of drawers, high: 380 mm x 390 mm x 175 mm (W x D x H)
Load capacity:	shelf: 15 kg / 33 lbs distributed load, block of drawers: 3 kg / 6.6 lbs distributed load
Material:	steel / aluminium / plastic
Finish:	RAL 7035 light grey powder-coated
Decorative trims:	handles see ¹⁾
Installation:	in the front T-slots of support column
Scope of delivery:	1 block of drawers including mounting hardware, pre-assembled



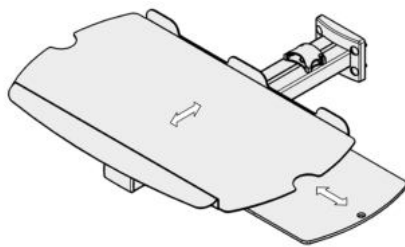
Designation	Installation height	Item number
① Block of drawers	4 U (128 mm)	NT.4104.XXX¹⁾
② Block of drawers, lockable (not illustrated)	4 U (128 mm)	NT.4105.XXX¹⁾
③ Block of drawers with mousepad	4 U (128 mm)	NT.4108.XXX¹⁾
④ Block of drawers with handles at the sides	4 U (128 mm)	NT.4118.XXX¹⁾
⑤ Block of drawers, 1 unit, high	7 U (224 mm)	NT.4106.XXX¹⁾
⑥ Block of drawers, 1 unit, high with handles at the sides	7 U (224 mm)	NT.4119.XXX¹⁾
⑦ Block of drawers, 2 units	7 U (224 mm)	NT.4107.XXX¹⁾
⑧ Block of drawers, 2 units, with handles at the sides	7 U (224 mm)	NT.4120.XXX¹⁾

KEYBOARD DRAWER / ELECTRIC TRAY / PUSH HANDLE

Keyboard drawer with mousepad (left / right) for vexio-cart

The keyboard drawer for the vexio-cart, is mounted directly on the support column and usually placed under a storage shelf and can be extended by 160 mm. When pulling out or pushing in the keyboard, the keyboard cable and the mouse are guided safely. The integrated mousepad can be pulled out to the left or to the right.

Installation height: 2 U (64 mm)
Load capacity: 5 kg / 11 lbs distributed load
Material: steel / aluminium
Finish: RAL 7035 light grey powder-coated
Installation: in the front T-slots of support column
Scope of delivery: 1 keyboard drawer with mousepad including mounting hardware, pre-assembled



Designation	Item number
Keyboard drawer with mousepad (left / right)	NT.4132.991

Electric Tray for vexio-cart

The electric tray can hold large socket strips and various overly long cables that are secured using the appropriate mounting options. It provides protection against unauthorised access and is mounted underneath a storage shelf. Narrow openings at the back of the tray allow for the appropriate cable connection and extension options.

Dimensions: 330 mm x 390 mm x 70 mm (W x D x H)
Load capacity: 3 kg / 6.6 lbs distributed load
Material: steel
Finish: RAL 7035 light grey powder-coated
Installation: below the shelf
Scope of delivery: 1 electric tray including mounting hardware, pre-assembled



Designation	Item number
Electric tray	NT.4123.991

Push handle for vexio-cart

The optional coloured handle is mounted on the rear of the support column in a vertical sliding position. This offers more legroom at the base and also space-saving parking against the wall. Thanks to its special design it can also be used to wind the cable round and to hold the plug.






Material: aluminium
Finish: see ¹⁾ powder-coated
Installation: on the rear side of the support column
Scope of delivery: 1 handle including mounting hardware



Designation	Item number
Push handle	NT.2000.XXX ¹⁾

MONITOR HOLDERS vexio-cart

Monitor holders for basic frames vexio-cart „Economy“ and vexio-cart „Profi“

Installation	On the support column	At the front of the support column								
		 <p>± 20° tilt ± 20° swivel</p>								
VESA 75 / 100		<table border="1"> <thead> <tr> <th>Monitor weight</th> <th>Item number</th> </tr> </thead> <tbody> <tr> <td>0- 14 kg / 0-30.8 lbs</td> <td>TH.2002.991</td> </tr> <tr> <td>14-18 kg / 30.8-39.6 lbs</td> <td>TH.2003.991</td> </tr> </tbody> </table>	Monitor weight	Item number	0- 14 kg / 0-30.8 lbs	TH.2002.991	14-18 kg / 30.8-39.6 lbs	TH.2003.991		
	Monitor weight	Item number								
0- 14 kg / 0-30.8 lbs	TH.2002.991									
14-18 kg / 30.8-39.6 lbs	TH.2003.991									
	 <p>± 20° tilt ± 180° swivel</p>	 <p>± 15° tilt ± 25° swivel</p>								
VESA 75 / 100 universal	<table border="1"> <thead> <tr> <th>Monitor weight</th> <th>Item number</th> </tr> </thead> <tbody> <tr> <td>0- 14 kg / 0-30.8 lbs</td> <td>NT.4117.991</td> </tr> </tbody> </table>	Monitor weight	Item number	0- 14 kg / 0-30.8 lbs	NT.4117.991	<table border="1"> <thead> <tr> <th>Monitor weight</th> <th>Item number</th> </tr> </thead> <tbody> <tr> <td>0- 14 kg / 0-30.8 lbs</td> <td>TS.6359.991</td> </tr> </tbody> </table>	Monitor weight	Item number	0- 14 kg / 0-30.8 lbs	TS.6359.991
	Monitor weight	Item number								
0- 14 kg / 0-30.8 lbs	NT.4117.991									
Monitor weight	Item number									
0- 14 kg / 0-30.8 lbs	TS.6359.991									
	<p>Adapter plates for universal adapter on page 149</p>  <p>± 20° tilt ± 180° swivel</p>									
Universal adapter	<table border="1"> <thead> <tr> <th>Monitor weight</th> <th>Item number</th> </tr> </thead> <tbody> <tr> <td>0- 14 kg / 0-30.8 lbs</td> <td>NT.4133.991</td> </tr> </tbody> </table>	Monitor weight	Item number	0- 14 kg / 0-30.8 lbs	NT.4133.991					
Monitor weight	Item number									
0- 14 kg / 0-30.8 lbs	NT.4133.991									
	 <p>± 20° tilt ± 180° swivel</p>									
Table Top Mount-Adapter (Philips)	<table border="1"> <thead> <tr> <th>Monitor weight</th> <th>Item number</th> </tr> </thead> <tbody> <tr> <td>0- 14 kg / 0-30.8 lbs</td> <td>NT.4134.991</td> </tr> </tbody> </table>	Monitor weight	Item number	0- 14 kg / 0-30.8 lbs	NT.4134.991					
Monitor weight	Item number									
0- 14 kg / 0-30.8 lbs	NT.4134.991									






vexio-cart

Material: steel / aluminium / plastic
 Finish: RAL 7035 light grey powder-coated, universal adapter: anodised
 Scope of delivery: 1 monitor holder including mounting hardware and matching cap if necessary.
 NB: Please note that the Table Top Mount adapter is supplied without a Table Top Mount!

MONITOR HOLDERS vexio-cart

Monitor holders for basic frames vexio-cart „Economy“ and vexio-cart „Plus“

vexio-cart

Installation	On the support column	At the front of the support column								
		 <p>± 20° tilt ± 20° swivel</p>								
VESA 75 / 100		<table border="1"> <thead> <tr> <th>Monitor weight</th> <th>Item number</th> </tr> </thead> <tbody> <tr> <td>0- 14 kg / 0-30.8 lbs</td> <td>TH.2002.991</td> </tr> <tr> <td>14-18 kg / 30.8-39.6 lbs</td> <td>TH.2003.991</td> </tr> </tbody> </table>	Monitor weight	Item number	0- 14 kg / 0-30.8 lbs	TH.2002.991	14-18 kg / 30.8-39.6 lbs	TH.2003.991		
	Monitor weight	Item number								
0- 14 kg / 0-30.8 lbs	TH.2002.991									
14-18 kg / 30.8-39.6 lbs	TH.2003.991									
	 <p>± 20° tilt ± 180° swivel</p>	 <p>± 15° tilt ± 25° swivel</p>								
VESA 75 / 100 universal	<table border="1"> <thead> <tr> <th>Monitor weight</th> <th>Item number</th> </tr> </thead> <tbody> <tr> <td>0- 14 kg / 0-30.8 lbs</td> <td>NT.4163.991</td> </tr> </tbody> </table>	Monitor weight	Item number	0- 14 kg / 0-30.8 lbs	NT.4163.991	<table border="1"> <thead> <tr> <th>Monitor weight</th> <th>Item number</th> </tr> </thead> <tbody> <tr> <td>0- 14 kg / 0-30.8 lbs</td> <td>TS.6359.991</td> </tr> </tbody> </table>	Monitor weight	Item number	0- 14 kg / 0-30.8 lbs	TS.6359.991
	Monitor weight	Item number								
0- 14 kg / 0-30.8 lbs	NT.4163.991									
Monitor weight	Item number									
0- 14 kg / 0-30.8 lbs	TS.6359.991									
	<p>Adapter plates for universal adapter on page 149</p>  <p>± 20° tilt ± 180° swivel</p>									
Universal adapter	<table border="1"> <thead> <tr> <th>Monitor weight</th> <th>Item number</th> </tr> </thead> <tbody> <tr> <td>0- 14 kg / 0-30.8 lbs</td> <td>NT.4164.991</td> </tr> </tbody> </table>	Monitor weight	Item number	0- 14 kg / 0-30.8 lbs	NT.4164.991					
Monitor weight	Item number									
0- 14 kg / 0-30.8 lbs	NT.4164.991									
	 <p>± 20° tilt ± 180° swivel</p>									
Table Top Mount-Adapter (Philips)	<table border="1"> <thead> <tr> <th>Monitor weight</th> <th>Item number</th> </tr> </thead> <tbody> <tr> <td>0- 14 kg / 0-30.8 lbs</td> <td>NT.4165.991</td> </tr> </tbody> </table>	Monitor weight	Item number	0- 14 kg / 0-30.8 lbs	NT.4165.991					
Monitor weight	Item number									
0- 14 kg / 0-30.8 lbs	NT.4165.991									

Material:

steel / aluminium / plastic

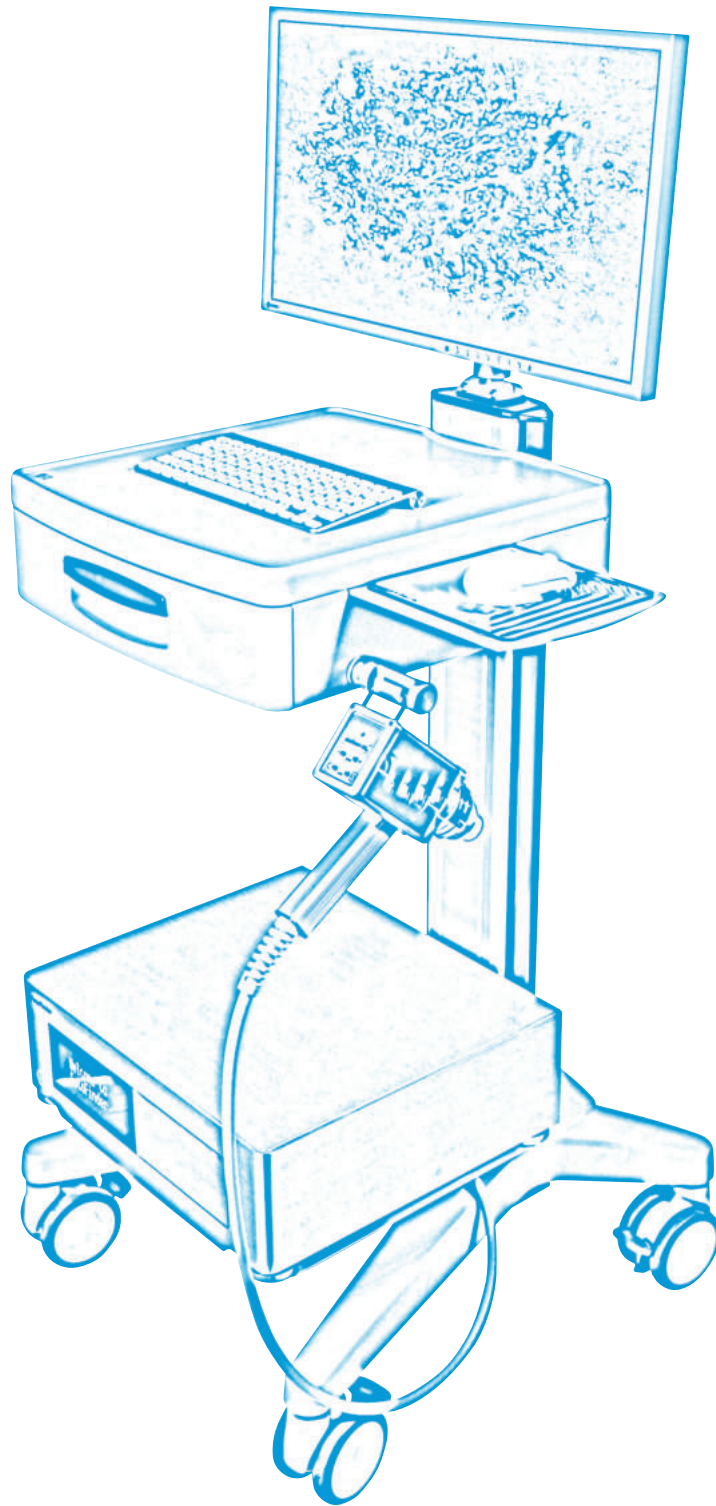
Finish:

RAL 7035 light grey powder-coated, universal adapter: anodised

Scope of delivery:

1 monitor holder including mounting hardware and matching cap if necessary.

NB: Please note that the Table Top Mount adapter is supplied without a Table Top Mount!



pro-cart

A STRONG TYPE FOR ALL CASES

The pro-cart equipment cart has a technically innovative and elegant design. The basic frame of this single-column cart carries a high load of up to 80 kg / 176 lbs and its availability in different installation heights makes countless variations possible. The unique support column of the pro-cart offers various advantages. It allows separate routing of data and power cables and can even be equipped with an electric height adjustment mechanism. The column comes with rubber edges and a cover cap which allows for quick access to the cable and orderly cable management. The support column can also be locked so that the cables also remain protected from unauthorised access.

The pro-cart can be optionally equipped with a powerful isolating transformer (up to 1200 VA), making it the right choice for many medical applications.



A STRONG TYPE FOR ALL CASES

pro-cart



pro-cart is the professional choice in numerous areas of medical and laboratory technology, e.g. in anaesthesia, endoscopy, physiotherapy, ultrasound diagnostics. pro-cart demonstrates its true worth when it comes to heavy loads. This is guaranteed by the design of the base, which provides stability and safety despite low space requirement, and the high load rating. Its unique support column provides space for accessories as well as secure and invisible storage space for all electric components. Use of the entire adjustment depth means that even large items of equipment are accommodated with ease.



pro-cart
Application for ultrasound diagnostics



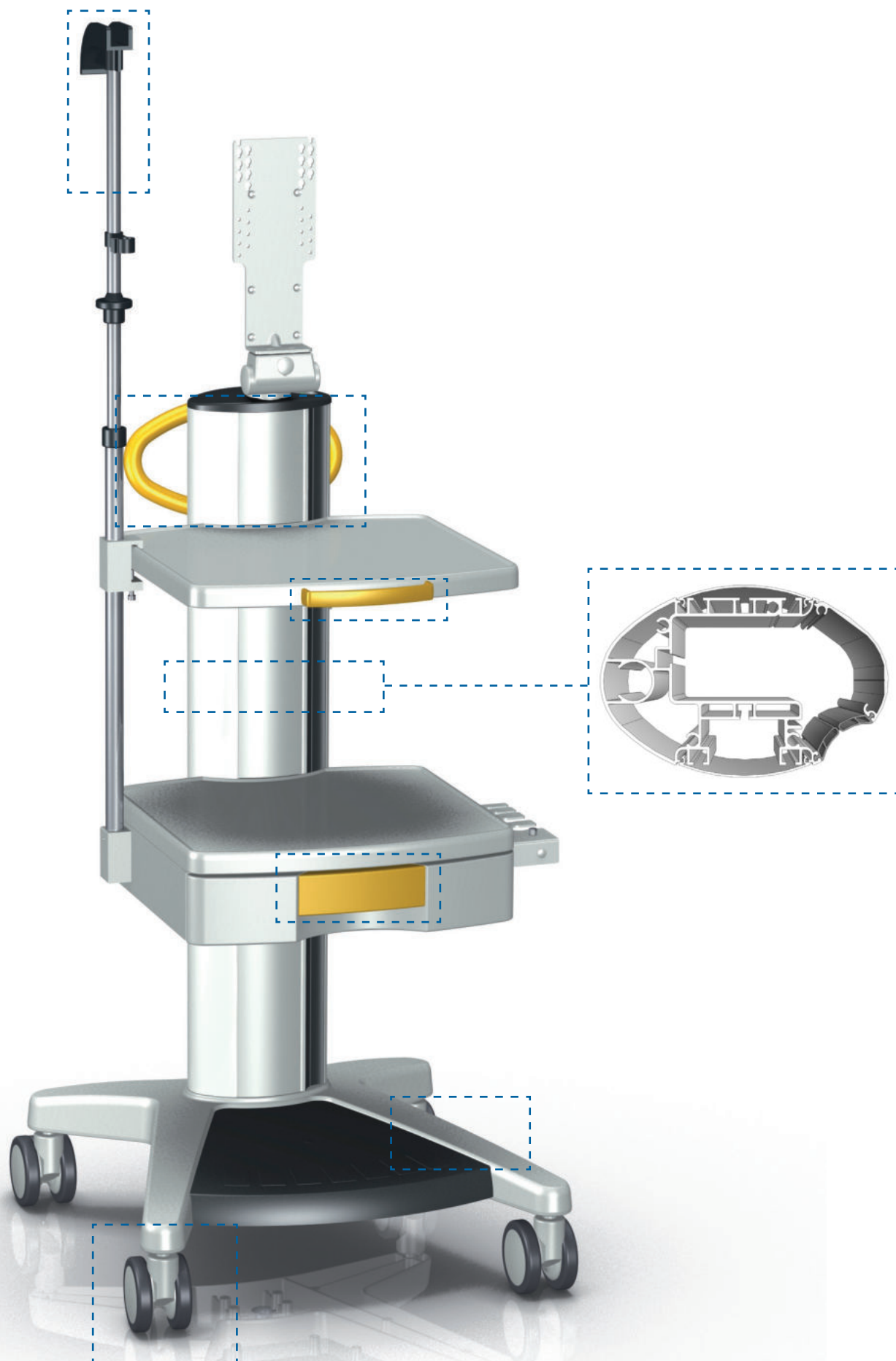
pro-cart
Application for preoperative ultrasound for image guided interventions



pro-cart
Application for extracorporeal shock wave lithotripsy

pro-cart – THE HIGHLIGHTS AT A GLANCE

pro-cart



Spacious design options

- The vertical extrusion provides not only space for the attachment of components and accessories in a grid of 32 / 64 mm on the front and rear, but also for suction cup mounts, infusion stands and monitor mounts.

Functional ergonomics

- Optionally available mechanical and electrical height adjustments allow for easy positioning of controls and ensure that the user can adopt a natural posture in everyday work.
- The rear sliding handle can be folded down, allowing more legroom when the need to move a heavily loaded trolley arises. When folded up, the handle needs only a little space.
- The handle for opening the drawer also serves as a lock.

Comfortable electrification options

- Behind the inner vertical extrusion is a closable flap with enough space for socket strips with up to 6 slots for POAG connectors as well as for power supplies.
- Excess lengths of cables can be stowed away perfectly. Because of the two sealing lips, the cables can be run in or out at any height.
- Data lines can be fed through separate cable ducts at the front of the extrusion.

Efficient Elegance

- The shapely single-column-design plus extra components provides the pro-cart with lightness and openness.

Hygiene

- Cover strips and rubber strips leave no grooves open and allow for easy cleaning.
- The optional on/off switch is hygienically covered and housed in the support column and protected by the cap.
- The hygiene of all ITD products is validated with the certificate of the German Society for Hospital Hygiene (DGKH).

Robust materials

- The diecast aluminium base can also accommodate a high-performance isolation transformer (up to 1200 VA) next to the supporting column.
- The shelves allow for a weight of up to 20 kg / 44 lbs each and have a width of 450 mm and an installation height of only 32 mm.

MODULARITY FOR NUMEROUS CONFIGURATION OPTIONS

The modular structure is the defining feature of the pro-cart single-column equipment carts and the entire ITD product range, which allows all support systems to be configured, customised, upgraded or easily modified for special functions and application areas using the extensive standard range. This capability allows users to react fast and consistently to any changes or new customer requirements. The T-slots on the support column ensure easy assembly of the components. The display presented alongside shows a small selection of accessories for the pro-cart equipment carts.

pro-cart



① The block of drawers is provided with a mechanical one-hand lock and this prevents unauthorised access.

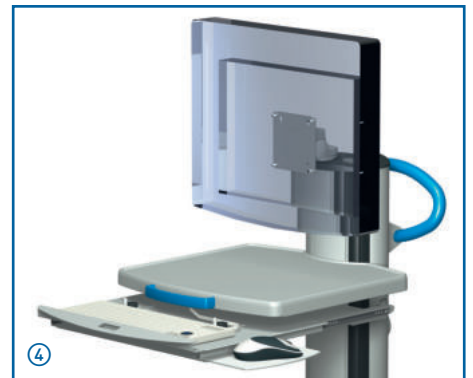


② The keyboard drawer has a low installation height and two adjustable bars, which prevent the keyboard from sliding about.





An IV pole with one-hand adjustment can easily be integrated in the support column without additional adapters.



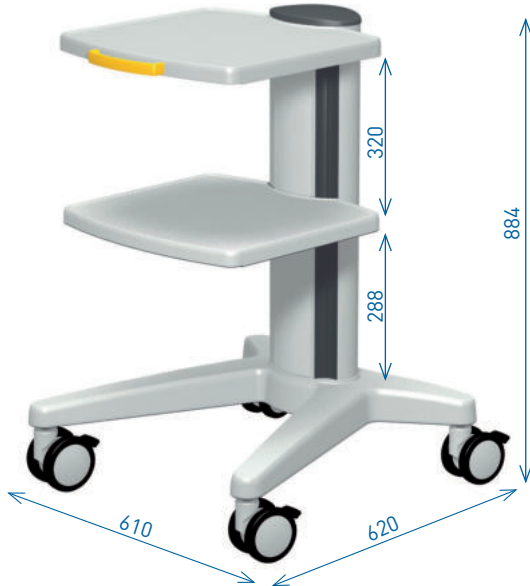
The swivel and tilt monitor holder is designed for monitors with VESA 75 / 100 adaptation or universal adapter, depending on the version.



The isolating transformer – for reduction of earth-leakage currents from equipment – can be integrated in the basic frame to save space.

ORDER CONFIGURATIONS

pro-cart



pro-cart basic cart

Item number: PT.5000.XXX¹⁾

Equipment cart, 21 U (Total height: 884 mm), fitted with:

- 1 basic frame with 4 lockable twin castors Ø 100 mm
- 1 shelf with handle, front
- 1 shelf

Installation height: 21 U (672 mm)
 Load capacity: 80 kg / 176 lbs
 Finish: RAL 7035 light grey powder-coated
 Decorative trims: handle see ¹⁾
 Scope of delivery: assembled

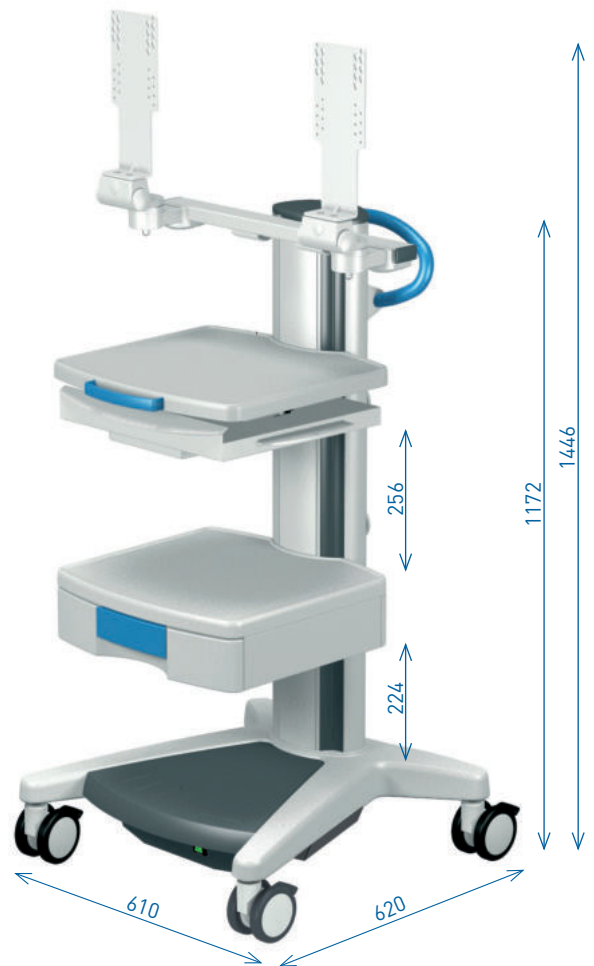
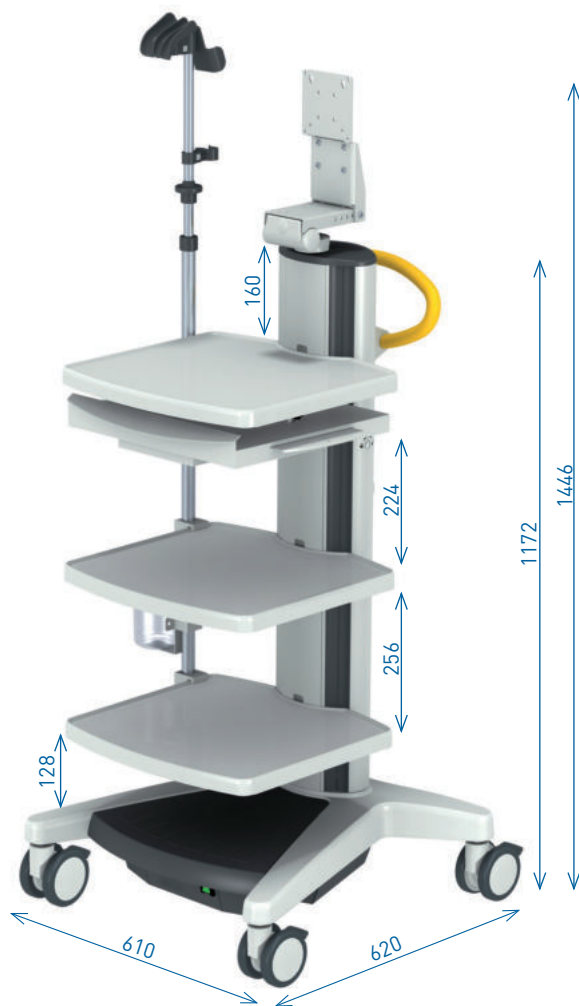
pro-cart basic cart

Item number: PT.5001.XXX¹⁾

Equipment cart, 21 U (Total height: 884 mm), fitted with:

- 1 basic frame with 4 lockable twin castors Ø 100 mm
- 1 block of drawers with gel bottle holder, at the side
- 1 shelf
- 1 push handle, rear

Installation height: 21 U (672 mm)
 Load capacity: 80 kg / 176 lbs
 Finish: RAL 7035 light grey powder-coated
 Decorative trims: handle and push handle see ¹⁾
 Scope of delivery: assembled



pro-cart video cart with isolating transformer

Item number: VT.4310.XXX¹⁾

Equipment cart, 30 U (Total height: 1172 mm), fitted with:

- 1 basic frame with 4 lockable twin castors Ø 100 mm
- 3 shelves
- 1 keyboard drawer with mousepad (left / right)
- 1 swivel and tilt monitor holder, adjustable, with VESA 75 / 100 adaptation up to 14 kg / 30.8 lbs
- 1 endoscope holder with clamp
- 1 drip glass
- 1 isolating transformer with 1200 VA and 6 equipotential bonding connectors (IEC320)
- 1 on / off switch on the isolating transformer
- 2 cable winders, rear
- 1 push handle, rear

Installation height: 30 U (960 mm)
 Load capacity: 80 kg / 176 lbs
 Finish: RAL 7035 light grey powder-coated
 Decorative trims: push handle see ¹⁾
 Scope of delivery: assembled

pro-cart PC-cart with isolating transformer

Item number: VT.4312.XXX¹⁾

Equipment cart, 30 U (Total height: 1172 mm), fitted with:

- 1 basic frame with 4 lockable twin castors Ø 100 mm
- 1 shelf with handle, front
- 1 keyboard drawer with mousepad (left / right)
- 1 block of drawers
- 1 twin monitor holder, universal, with VESA 75 / 100 adaptation up to 14 kg / 30.8 lbs
- 1 isolating transformer with 660 VA and 6 equipotential bonding connectors (IEC320)
- 1 on / off switch on the isolating transformer
- 2 cable winders, rear
- 1 push handle, rear

Installation height: 30 U (960 mm)
 Load capacity: 80 kg / 176 lbs
 Finish: RAL 7035 light grey powder-coated
 Decorative trims: handle and push handle see ¹⁾
 Scope of delivery: assembled

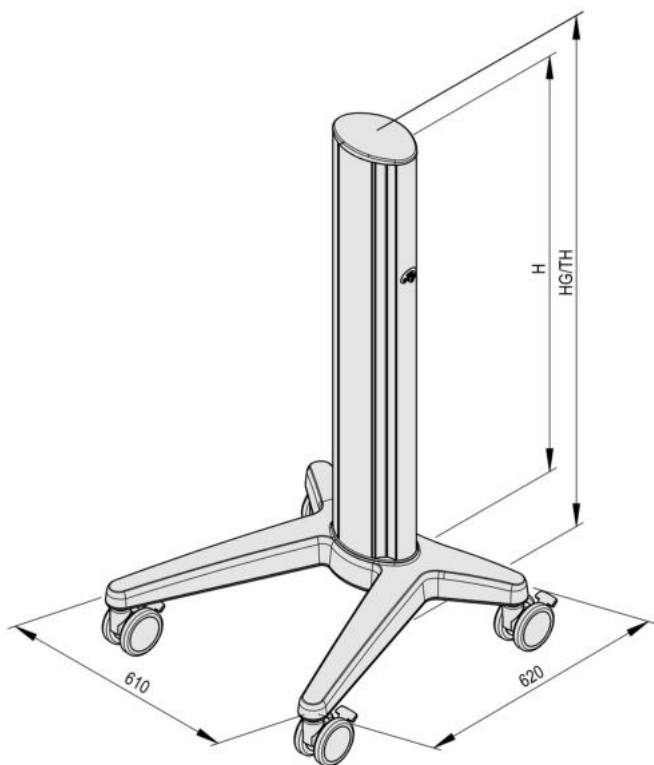
BASIC FRAME pro-cart

Basic frame pro-cart

As a result of its aluminium construction, the basic frame pro-cart provides a high load capacity with low weight. The shape of the base guarantees high torsional rigidity and stability as well as the space-saving integration of an isolating transformer. The large-volume support column enables secure storage of all electrical components. In addition, it provides an effective and orderly cable management without loss of major assembly stations. Four lockable twin castors ensure high comfort while in motion and secure operational fixture.

- Load capacity: 80 kg / 176 lbs
- Material: aluminium
- Finish: RAL 7035 light grey powder-coated
- Scope of delivery: 1 basic frame, assembled

pro-cart



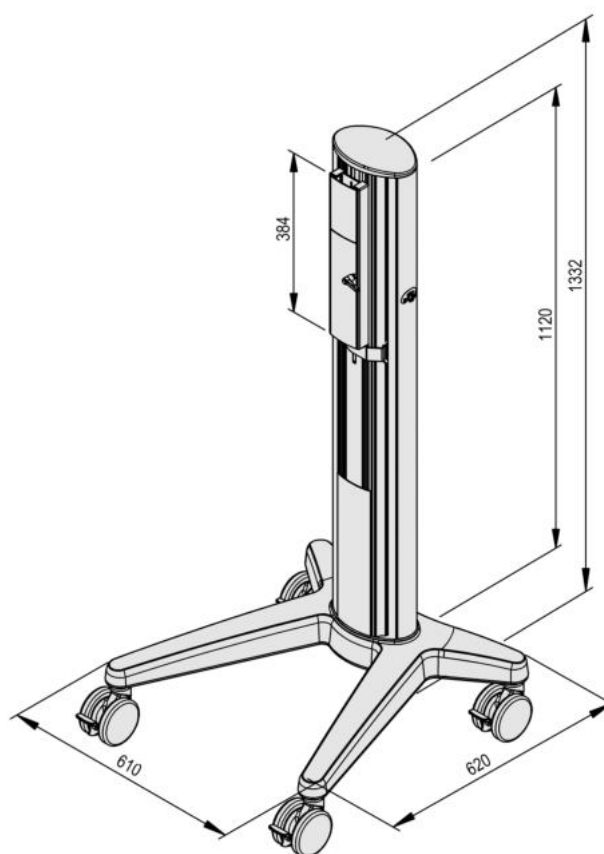
Installation height H	Total height TH	Castors Ø	Item number
21 U (672 mm)	884 mm	100 mm	PT.4000.991
30 U (960 mm)	1172 mm	100 mm	PT.4001.991
35 U (1120 mm)	1332 mm	100 mm	PT.4002.991
Counterweight set including basic trim			PT.2045.991

BASIC FRAME WITH MECHANICAL HEIGHT ADJUSTMENT pro-cart

Basic frame with mechanical height adjustment pro-cart

By means of a height adjustment mechanism, your workplace can be operated either sitting or standing. The height adjustment is mounted at a height of 35 U (1120 mm) at the front of the vertical extrusion of the basic frame pro-cart. When lifting loads, the mechanical height adjustment is helped by a gas spring. Components and accessories can be mounted at a height of 12 U (384 mm) in a grid of 32 / 64 mm on the height adjustment slide. The adjustment range is 300 mm and can be loaded with a weight of 3 to 10 kg / 6.6-22 lbs or from 10 up to 16 kg / 22 -35.2 lbs. Four lockable twin castors (Ø 100 mm) ensure high comfort while in motion and secure operational fixture.

Total height: 1332 mm when with castors Ø 100 mm
 Load capacity: 80 kg / 176 lbs
 Material: aluminium
 Finish: RAL 7035 light grey powder-coated
 Scope of delivery: 1 basic frame, assembled



pro-cart

Designation	Load capacity of height adjustment	Item number
Basic frame with mechanical height adjustment	3-10 kg / 6.6-22 lbs	PT.4021.991
Basic frame with mechanical height adjustment	10-16 kg / 22-35.2 lbs	PT.4022.991

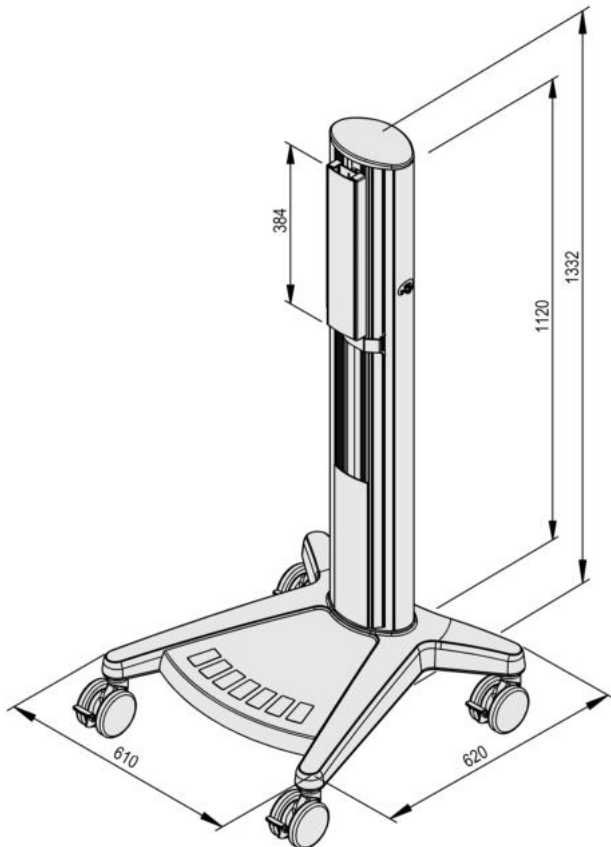
BASIC FRAME WITH ELECTRIC HEIGHT ADJUSTMENT pro-cart

Basic frame with electric height adjustment pro-cart

By means of a height adjustment mechanism, your workplace can be operated either sitting or standing. The height adjustment is mounted at the front of the vertical extrusion of the basic frame pro-cart with an installation height of 35 U (1120 mm). In the electric height adjustment, a linear drive helps raise and lower the load. This is operated via cable-connected remote control. Components and accessories can be mounted at a height of 12 U (384 mm) in a grid of 32 / 64 mm on the height adjustment slide. The adjustment range is 384 mm and can be loaded with a weight of up to 20 kg / 44 lbs. The linear actuator of the height adjustment can be operated at 110 V or 230 V. Four lockable twin castors (Ø 100 mm) ensure high comfort while in motion and secure operational fixture.

- Total height: 1332 mm when with castors Ø 100 mm
- Load capacity: 80kg / 176 lbs
- Material: aluminium
- Finish: RAL 7035 light grey powder-coated
- Scope of delivery: 1 basic frame, 1 basic trim, assembled

pro-cart



Designation	Load capacity of height adjustment	Input voltage	Item number
Basic frame with electric height adjustment	0-20 kg / 0-44 lbs	110 V and 50 / 60 Hz	PT.4023.991
Basic frame with electric height adjustment	0-20 kg / 0-44 lbs	230 V and 50 / 60 Hz	PT.4024.991

BASIC FRAME pro-cart

Castor conversion kit for basic frame pro-cart

For further requirements – as conversion kit instead of the specified standard design – the following castors are offered:

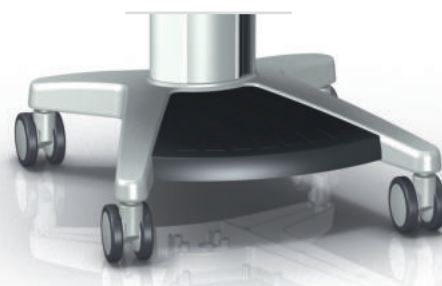
Scope of delivery: 1 castor conversion kit, 4 castors, each with wheel lock. Factory assembly only

Castor conversion kit	Instead of standard	Item number
Ø 100 mm, conductive	Ø 100 mm	ZV.9428.999
Ø 125 mm, conductive	Ø 100 mm	ZV.9923.999
Ø 125 mm, conductive	Ø 100 mm, conductive	ZV.9924.999
Wall protector		ZV.9964.999

Basic trim for pro-cart

The stylish basic trim provides a design element and is positioned between the front stabilisers. Moreover, it serves as a cover and mounting device for an isolating transformer.

Load capacity: 5 kg / 11 lbs distributed load
Material: plastic ABS
Finish: RAL 7043 traffic grey
Scope of delivery: 1 basic trim including mounting hardware



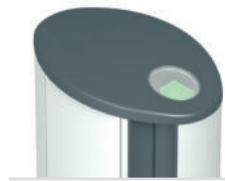
Designation	Item number
Basic trim for pro-cart	PT.2001.800

ISOLATING TRANSFORMER pro-cart

Isolating transformer for pro-cart

The isolating transformer is used to reduce the dangers for patients and professionals posed by leakage by providing insulation to the network. Single-fault protection and potential-free voltage supply is guaranteed by the use of the isolating transformer. This allows a constant power supply for electro-medical equipment and a safe patient environment. The isolation transformer is mounted between the two front stabilisers. The isolating transformer is optionally with insulation monitor available.

Power:	660 VA or 1200 VA
Input / Output voltage:	115 V / 115 V, 50 Hz / 60 Hz or 230 V / 230 V, 50 Hz / 60 Hz – switchable
Power input:	IEC 320 EURO input for use of country-specific power cables
Design:	toroidal transformer
Conditionally short circuit proof:	in conformity with IEC 742 and IEC 601-1
Inrush current limitation:	electronically regulated on nominal current
Safety class:	1
Insulation voltage:	PRI – earth: 1500 V, SEC – earth: 1500 V, PRI – SEC: 4000 V
Fuse protection:	primary 2-phase with micro fuse
Test:	CE labelling (for 660 VA, 1200 VA), NRTL-approval (for 1200 VA)
Protection class:	IP20
Material of enclosure:	steel
Finish:	RAL 7043 traffic grey powder-coated
Installation:	between two front stabilisers
Scope of delivery:	1 isolating transformer 660 VA or 1200 VA; basic trim; on / off switch; power cable earthed Schuko 5m; 6 equipotential bonding connectors (IEC320); plug removal barrier, pre-assembled. In case of integration of central on/off switch - factory assembly only



Isolating transformer for pro-cart	Power	Item number
Isolating transformer	660 VA	ZV.9356.999
Isolating transformer	1200 VA	ZV.9357.999
On / Off switch in the cover cap of support column		PT.0290.999

Insulation monitor ELG (Earth Leakage Guard) for pro-cart

The isolating transformer for the pro-cart can be enhanced with the ELG insulation monitor, that is connected by simple plug and play technology and here a connector for the IEC power socket outlet is required. It gives out a visual and acoustic signal and the light-emitting diode and sound indicate that there is a critical fall in the isolation resistance of the whole system. This system does not replace the recommended regular tests and maintenance of those devices that are connected.

Supply voltage:	230 V / AC ±15 %
Operate value:	53 kOhm
Test resistance:	33 kOhm
AC internal resistance:	220 kOhm
DC internal resistance:	320 kOhm
Max. measuring voltage:	12 V
Max. measuring current:	< 0,5 mA
Max. external DC voltage:	250 V DC
Installation:	in the front T-slots of support column
Scope of delivery:	1 insulation monitor including cover strip and mounting hardware



Designation	Item number
Insulation monitor ELG for pro-cart	PT.2008.991

SOCKET STRIPS pro-cart

EURO socket strips with earthing contact for pro-cart

Ratings: 10 A / 250 VAC
 Installation: in the support column
 Scope of delivery: 1 EURO socket strip including mounting hardware

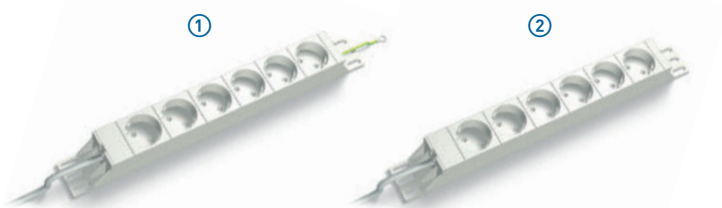


Designation	Connection cable	Standard	Item number
① 6-way, with external earthing contact	without	IEC 320	ZV.9433.999
② 6-way, with on/off switch in the support column, factory assembly only	without	IEC 320	ZV.9432.999
③ 8-way, with external earthing contact	without	IEC 320	ZV.9375.999

The corresponding connection cable must be ordered separately and can be found in the Chapter Accessories.

Socket strip Schuko for pro-cart

Ratings: 16 A / 250 VAC
 Installation: in the support column
 Scope of delivery: 1 socket strip Schuko including mounting hardware

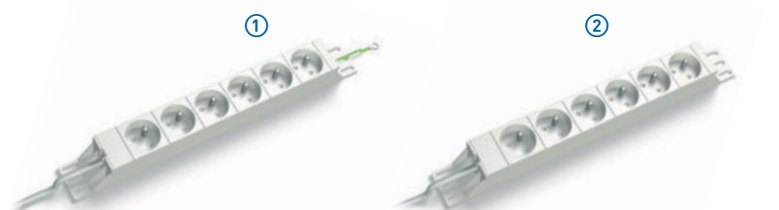


Designation	Connection cable	Standard	Item number
① 6-way, with external earthing contact	5 m	DIN VDE 0620-1	ZV.9435.999
② 6-way, with on/off switch in the support column, factory assembly only	without	DIN VDE 0620-1	ZV.9434.999

The corresponding connection cable must be ordered separately and can be found in the Chapter Accessories.

Socket strip French Standard for pro-cart

Ratings: 16 A / 250 VAC
 Installation: in the support column
 Scope of delivery: 1 socket strip French standard including mounting hardware



Designation	Connection cable	Standard	Item number
① 6-way, with external earthing contact	5 m	CEE7, UTE	ZV.9441.999
② 6-way, with on/off switch in the support column, factory assembly only	5 m	CEE7, UTE	ZV.9440.999

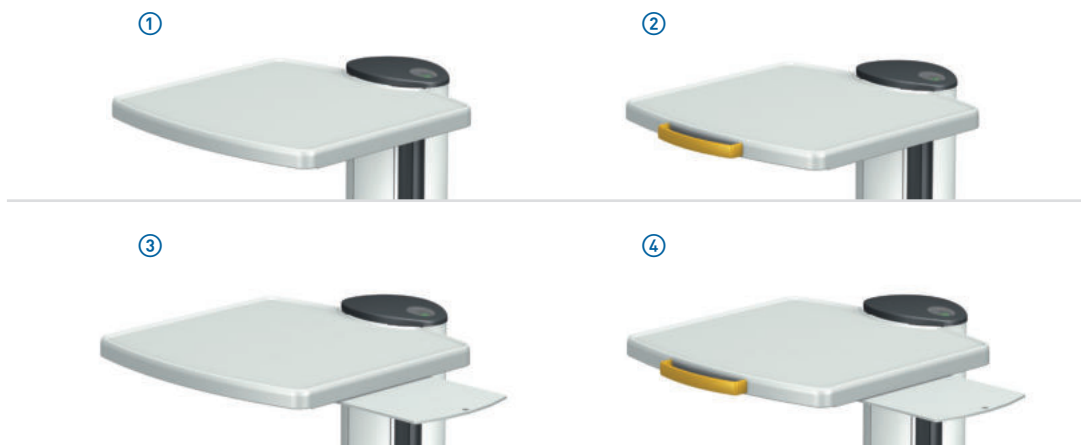
SHELVES pro-cart

Shelves for pro-cart

The shelves for the pro-cart are characterised by being spacious, with raised edges and rounded corners. The low installation height of 32 mm saves space and creates valuable space for other system components. Usable area of these shelves offers enough space for placing bigger devices. The shelves are available with various features such as handles or a mousepad. The integrated mousepad is extendable to the right and to the left. The handles are available in different colours.

Installation height: 1 U (32 mm)
Dimensions: 450 mm x 400 mm (W x D)
Usable area: 426 mm x 338 mm (W x D)
Load capacity: 20 kg / 44 lbs distributed load
Material: aluminium
Finish: RAL 7035 light grey powder-coated
Decorative trims: handle see ¹⁾
Installation: in the front T-slots of support column
Scope of delivery: 1 shelf including mounting hardware, pre-assembled

pro-cart



Designation	Item number
① Shelf	PT.4100.991
② Shelf with handle, front	PT.4101.XXX ¹⁾
③ Shelf with mousepad	PT.4102.991
④ Shelf with handle and mousepad	PT.4103.XXX ¹⁾

Universal shelf for pro-cart

The universal shelf can be ordered individually and adapted to the footprint of the device and is almost invisible.

Installation height: 2 U (64 mm)
Dimensions: 450 mm x 400 mm (W x D)
Usable area: 440 mm x 368 mm (W x D)
Load capacity: 10 kg / 22 lbs distributed load
Material: steel / aluminium
Finish: RAL 7035 light grey powder-coated
Installation: in the front T-slots of support column
Scope of delivery: 1 universal shelf including mounting hardware, pre-assembled



Designation	Item number
Universal shelf	PT.4111.991

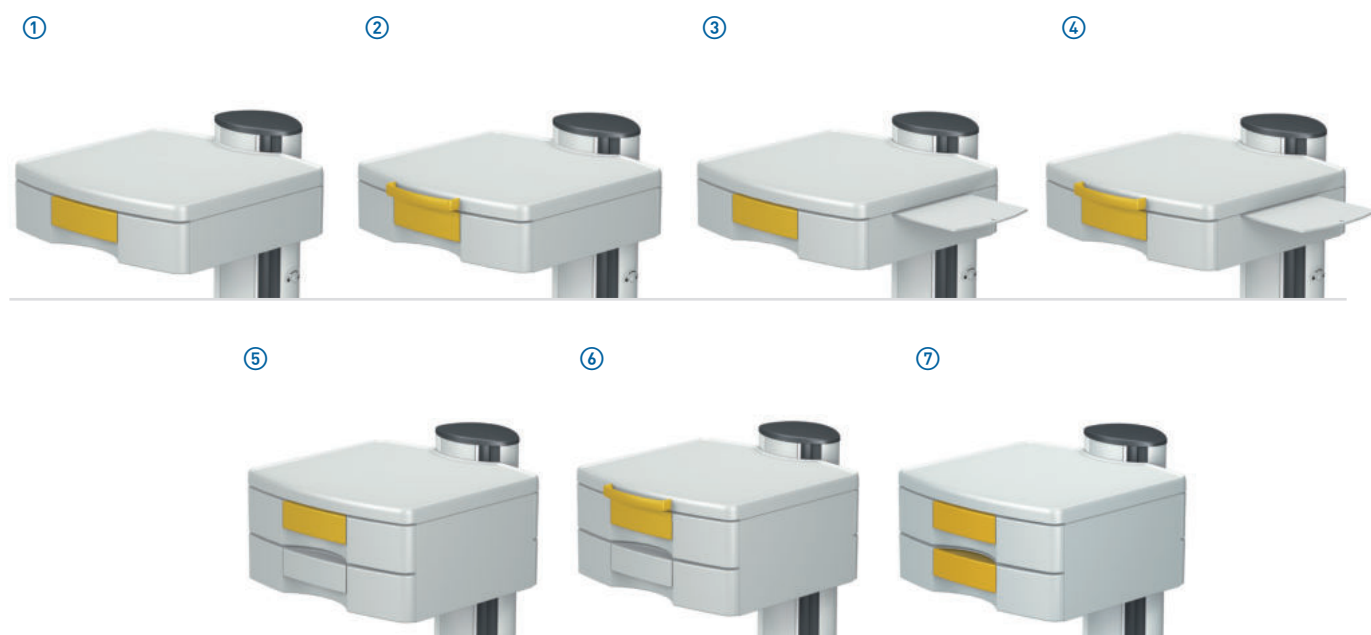
Customised sizes are available on request

DRAWERS pro-cart

Block of drawers for pro-cart

The pro-cart drawers are designed as a complete unit. They are characterised by providing a large storage space and a smooth removable inner body. The fully extendable technology maximises the storage space of the drawer and makes cleaning easier. The drawer block is fitted with a mechanical single locking lever that ensures that the drawer cannot open abruptly when approaching a threshold. Drawer blocks are available in different designs with handles or a mousepad. The integrated mousepad is extendable to the right and to the left.

Dimensions: 450 mm x 400 mm (W x D)
 Usable area: 426 mm x 338 mm (W x D)
 Interior area: block of drawers: 340 mm x 240 mm x 80 mm (W x D x H)
 block of drawers high: 340 mm x 240 mm x 175 mm (W x D x H)
 Load capacity: shelf: 15 kg / 33 lbs distributed load, drawer: 3 kg / 6.6 lbs distributed load
 Material: aluminium / plastic
 Finish: RAL 7035 light grey powder-coated
 Decorative trims: handles see ¹⁾
 Installation: in the front T-slots of support column
 Scope of delivery: 1 block of drawers including mounting hardware, pre-assembled



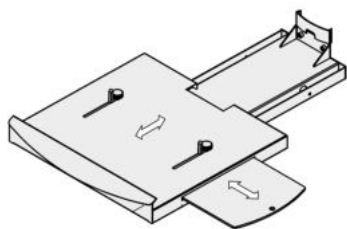
Designation	Installation height	Item number
① Block of drawers	4 U (128 mm)	PT.4104.XXX ¹⁾
② Block of drawers with handle, front	4 U (128 mm)	PT.4105.XXX ¹⁾
③ Block of drawers with mousepad	4 U (128 mm)	PT.4106.XXX ¹⁾
④ Block of drawers with mousepad and handle, front	4 U (128 mm)	PT.4107.XXX ¹⁾
⑤ Block of drawers, 1 unit, high	7 U (224 mm)	PT.4113.XXX ¹⁾
⑥ Block of drawers, 1 unit, high with handle, front	7 U (224 mm)	PT.4114.XXX ¹⁾
⑦ Block of drawers, 2 units	7 U (224 mm)	PT.4130.XXX ¹⁾

KEYBOARD DRAWER / HANDLE pro-cart

Keyboard drawer with mousepad (left / right) for pro-cart

The keyboard drawer for the pro-cart can be extended by 260 mm and is mounted directly on the supporting column and usually placed under a storage shelf. When pulling out or pushing in the keyboard, the keyboard cable and the mouse are guided safely. The keyboard is prevented from slipping by two adjustable stops. The integrated mousepad can be pulled out both to the left and the right. The drawer is suitable for keyboards up to 200 mm in depth.

Installation height: 3 U (96 mm)
Load capacity: 3 kg / 6.6 lbs distributed load
Material: steel / aluminium
Finish: RAL 7035 light grey powder-coated
Installation: in the front T-slots of support column
Scope of delivery: 1 keyboard drawer including mounting hardware, pre-assembled



pro-cart

Designation	Item number
Keyboard drawer with mousepad (left / right)	PT.4108.991

Push handle for pro-cart

The pushing handle is mounted on the rear of the support column and creates a pushing position of 90 degrees offering plenty of legroom and a space-saving parking position at a 15 °-angle. The handle can also be mounted at a chosen height alongside the pro-cart support column.









Material: steel / aluminium / plastic
Finish: mount: plastic, RAL 7035 light grey; push handle: powder-coated
Decorative trims: push handle see ¹⁾
Installation: in the front T-slots of support column
Scope of delivery: 1 push handle including mounting hardware, factory assembly only



Designation	Item number
Push handle for pro-cart	PT.2000.XXX ¹⁾

MONITOR HOLDERS pro-cart

Monitor holder for pro-cart

Installation	On support column	At the front side of support column
VESA 75 / 100	 <p>± 20° tilt ± 170° swivel</p>	 <p>± 20° tilt ± 20° swivel</p>
	<p>0-14 kg / 0-30.8 lbs PT.4143.991</p> <p>14-18 kg / 30.8-39.6 lbs PT.4144.991</p>	<p>0-14 kg / 0-30.8 lbs PT.4145.991</p> <p>14-18 kg / 30.8-39.6 lbs PT.4146.991</p>
VESA 75 / 100 universal	 <p>± 15° tilt ± 170° swivel</p>	 <p>± 15° tilt ± 25° swivel</p>
	<p>0-14 kg / 0-30.8 lbs PT.4118.991</p>	<p>0-14 kg / 0-30.8 lbs PT.4138.991</p>
VESA 75 / 100 adjustable	 <p>± 15° tilt ± 170° swivel</p>	
	<p>0-14 kg / 0-30.8 lbs PT.4119.991</p>	
Universal adapter	<p>Adapter plates for universal adapter on page 149</p>  <p>± 15° tilt ± 170° swivel</p>	
	<p>0-14 kg / 0-30.8 lbs PT.4135.800</p>	
Twin monitor holder, universal		 <p>2 x ± 15° tilt ± 170° swivel</p>
		<p>0-14 kg / 0-30.8 lbs PT.4116.991</p>
Twin monitor holder, adjustable		 <p>2 x ± 15° tilt ± 170° swivel</p>
		<p>0-14 kg / 0-30.8 lbs PT.4117.991</p>

pro-cart

Material: steel / aluminium
 Finish: RAL 7035 light grey powder-coated, universal adapter: anodised
 Scope of delivery: 1 monitor holder including mounting hardware

classic-cart

THE UNIVERSAL SOLUTION FOR ALL APPLICATIONS

The classic-cart is a twin-column equipment cart with a total load of up to 150 kg / 330 lbs. This equipment carrier is characterised by excellent stability and durability and spacious shelves. The classic-cart also has an impressive number of expansion options, which are supported by a wide range of system components. Available installation heights and widths of up to 1100 mm provide optimal space for various medical devices and accessories.

High-quality materials and surface finish on all the system components and accessories guarantee that this mobile workstation has a long life even with intensive use.



classic-cart

THE UNIVERSAL SOLUTION FOR ALL APPLICATIONS

classic-cart



classic-cart grows to meet different challenges and is used most frequently where a high degree of flexibility and lots of options for equipment are required, e.g. in dermatology, endoscopy, ergospirometry or ultrasound diagnostics.

These are medical settings where classic-cart really has an opportunity to put its stability and payload capacity to the test. That's because it forms a generous platform for accommodating a wide range of diagnostic instrumentation, treatment and measuring equipment, plus PCs, monitor arms or infusion stands.



classic-cart
Application for stress test ECG



classic-cart
Application for endoscopy



classic-cart
Application for magnetic brain stimulation



classic-cart
Application for vocal fold function analysis

classic-cart – THE HIGHLIGHTS AT A GLANCE

Immense diversity

- With three different base widths (450, 500 and 600 mm) and installation heights of up to 40 units the classic-cart offers immense diversity.
- Numerous components and accessories can be tailored to your needs and certain configurations already come as standard.

Future-proof add-on options

- Expandable through the addition of side walls and front doors, the trolley can be configured to become fully closed to prevent unauthorised access.
- T-slots on the outside of the vertical extrusions and mounting options in the profiles provide numerous possibilities to mount accessories.

High load capacity

- The two-column-structure in conjunction with the welded base allows loads of up to 50 kg / 110 lbs per shelf and a total load of up to 150 kg / 330 lbs.

Intelligent cabling options

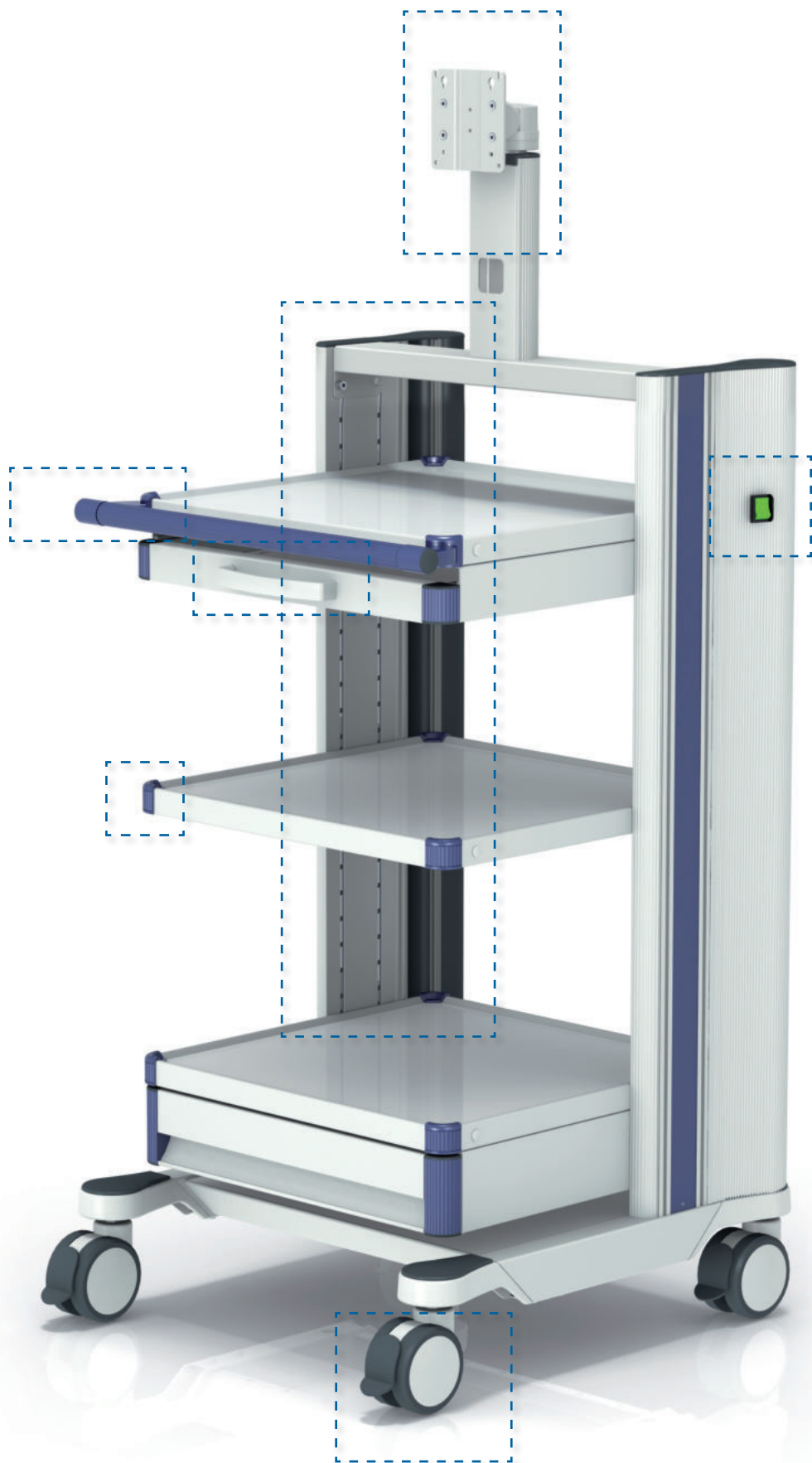
- Integrated power columns allow for separate cable routing of data and power lines and the installation of socket strips. In addition, excess lengths of cable can be safely stowed.

Thoughtful energy management

- Integrated isolating transformers with a capacity of up to 1600 VA and country-specific socket strips can be controlled as needed through a central on/off switch.

Hygiene

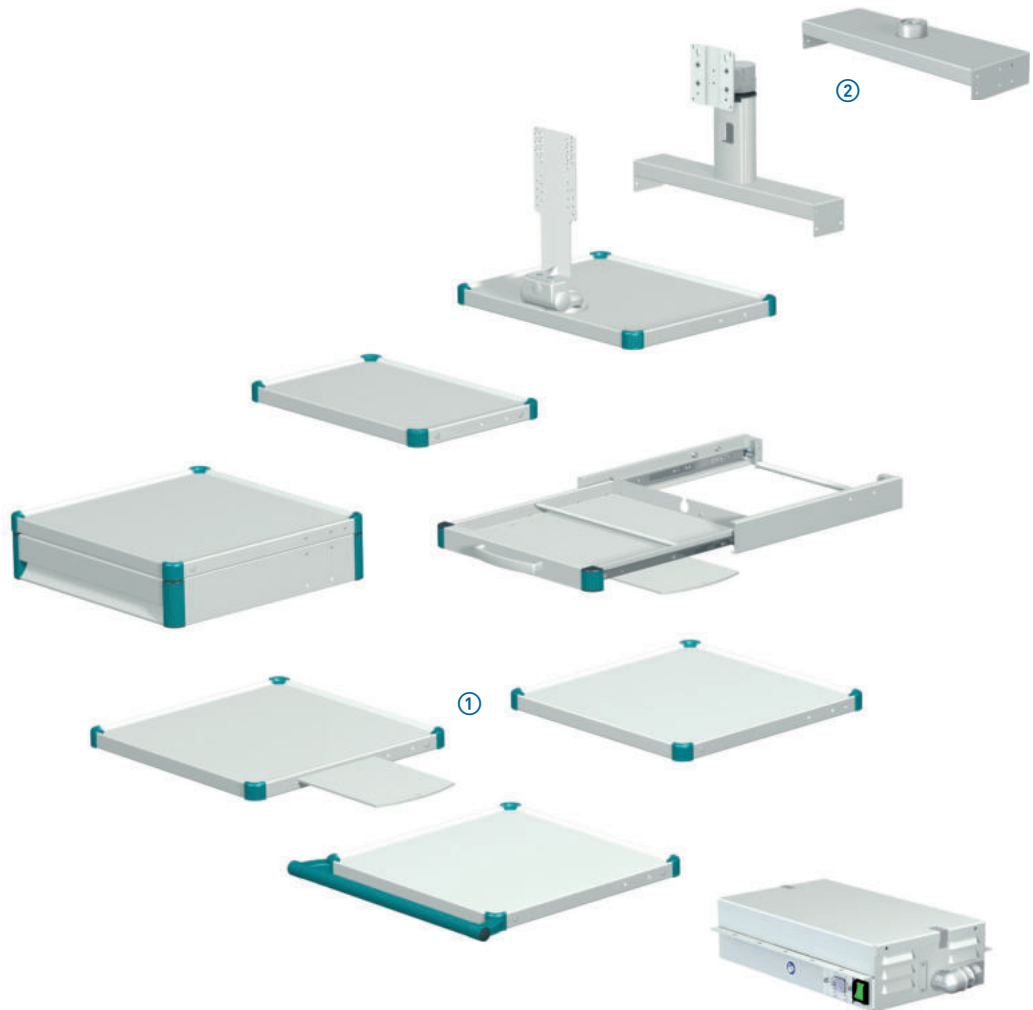
- The hygiene of all ITD products is validated with the certificate of the German Society for Hospital Hygiene (DGKH).



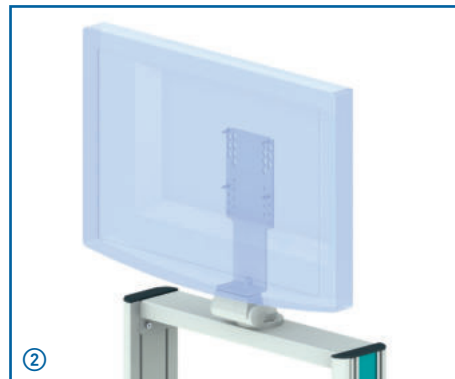
MODULARITY FOR NUMEROUS CONFIGURATION OPTIONS

The modular structure is the defining feature of the classic-cart two-column equipment carts and the entire ITD product range, which allows all support systems to be configured, customised, upgraded or easily modified for special functions and application areas using the extensive standard range. This capability allows users to react fast and consistently to any changes or new customer requirements. The T-slots on the vertical extrusion or special devices ensure easy assembly of the components. The display presented alongside shows a small selection of accessories for the classic-cart equipment carts.

classic-cart



Shelves are supplied in different versions and the continuous raised edge offers your valuable equipment a secure hold.



classic-cart can accommodate several types of monitors on its monitor shelf or on a monitor crossbeam.



The endoscope holder can be mounted variably on the shelves using two rail fasteners or within the vertical extrusion.

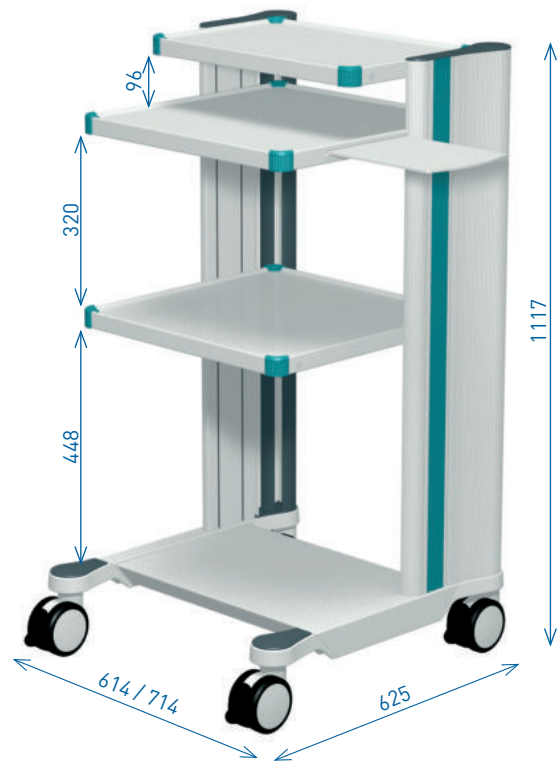


Many accessories, such as for example brackets for holding computers, satisfy the most varied needs.



Variable height support arms (with or without a swivel arm) can be attached by means of a bottom shelf, or else fastened directly to the power column.

ORDER CONFIGURATIONS



classic-cart

classic-cart basic cart 21 U

Item number:

Installation width W 500mm GW.5210.XXX¹⁾

Installation width W 600mm GW.6210.XXX¹⁾

Equipment cart, 21 U (Total height: 829 mm), fitted with:

- 1 basic frame „Profi“ with 4 lockable twin castors
Ø 100 mm
- 1 shelf with handle, front
- 2 shelves
- 1 drawer

classic-cart basic cart 30 U

Item number:

Installation width W 500mm GW.5308.XXX¹⁾

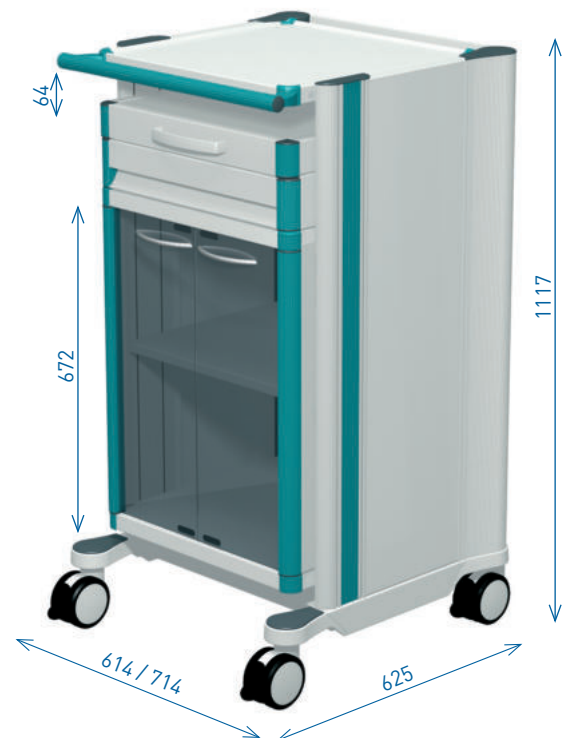
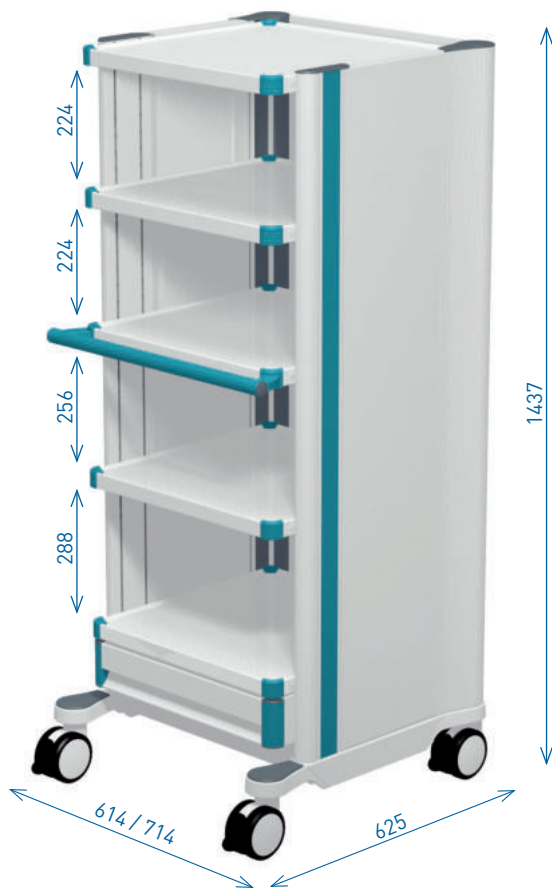
Installation width W 600mm GW.6308.XXX¹⁾

Equipment cart, 30 U (Total height: 1117 mm), fitted with:

- 1 basic frame „Profi“ with 4 lockable twin castors
Ø 100 mm
- 1 shelf, depth 320 mm
- 1 shelf with mousepad (left / right)
- 1 shelf
- 2 power columns

Installation height: 21 U (672 mm)
Load capacity: 150 kg / 330 lbs
Finish: RAL 7035 light grey powder-coated
Decorative trims: handle, corners and strips see ¹⁾
Scope of delivery: assembled

Installation height: 30 U (960 mm)
Load capacity: 150 kg / 330 lbs
Finish: RAL 7035 light grey powder-coated
Decorative trims: corners and strips see ¹⁾
Scope of delivery: assembled



classic-cart video rack cart 40 U

Item number:

Installation width W 500mm VS.5402.XXX¹⁾

Installation width W 600mm VS.6402.XXX¹⁾

Equipment cart, 40 U (Total height: 1437 mm), fitted with:

- 1 basic frame „Profi“ with 4 lockable twin castors Ø 100 mm, conductive
- 1 shelf with handle, front
- 4 shelves
- 1 drawer
- 2 power columns
- 2 side panels
- 1 rear panel

Installation height: 40 U (1280 mm)
 Load capacity: 150 kg / 330 lbs
 Finish: RAL 7035 light grey powder-coated
 Decorative trims: handle, corners and strips see ¹⁾
 Scope of delivery: assembled

classic-cart video rack cart 30 U

Item number:

Installation width W 500mm VS.5302.XXX¹⁾

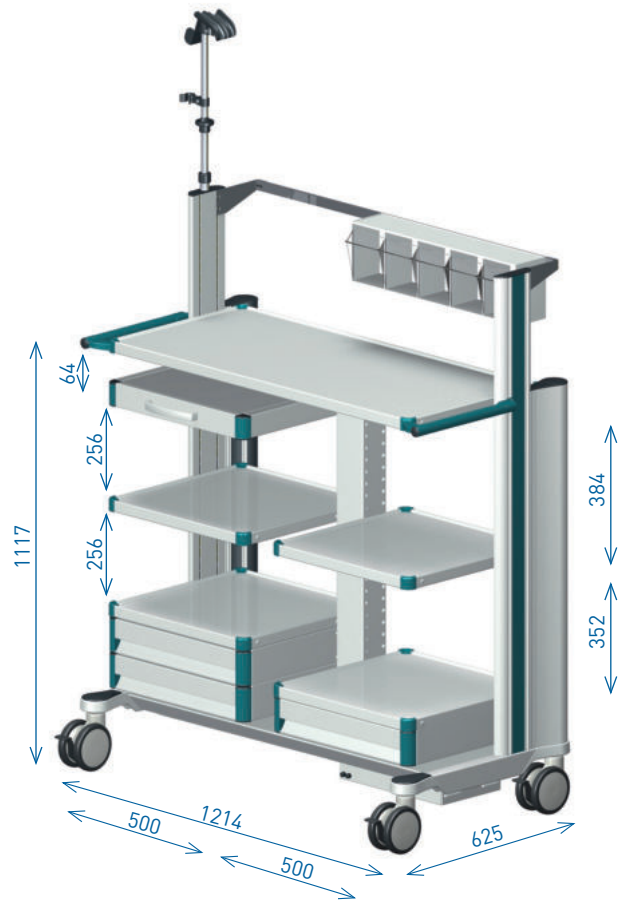
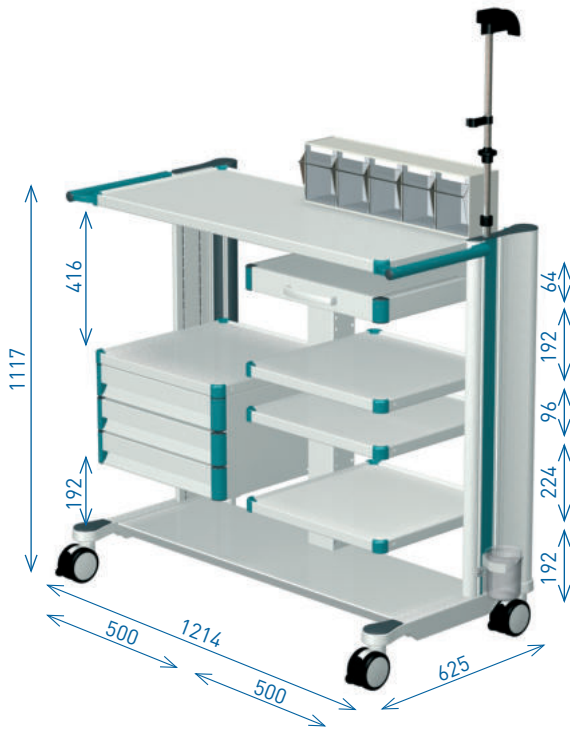
Equipment cart, 30 U (Total height: 1117 mm), fitted with:

- 1 basic frame „Profi“ with 4 lockable twin castors Ø 100 mm, conductive
- 1 shelf with handle, front
- 1 extendable shelf
- 1 drawer
- 1 pedestal rack with: 1 base shelf
2 glass doors with handle
- 2 power columns
- 2 side panels
- 1 rear panel

Installation height: 30 U (960 mm)
 Load capacity: 150 kg / 330 lbs
 Finish: RAL 7035 light grey powder-coated
 Decorative trims: handle, corners and strips see ¹⁾
 Scope of delivery: assembled

ORDER CONFIGURATIONS

classic-cart



classic-cart 1100 basic version

Item number:

Installation width W 1100mm EC.0410.XXX¹⁾

Equipment cart, 30 U (Total height: 1117 mm), fitted with:

- 1 basic frame, width 1100 mm with 4 lockable twin castors Ø 100 mm, conductive
- 1 continuous upper platform with handles at the side
- 4 shelves
- 1 drawer, 3 units
- 1 extendable shelf
- 1 multipurpose box
- 1 endoscope holder, single
- 1 drip glass
- 1 socket strip Schuko, 6-way with switch

classic-cart 1100 basic version + 10 U

Item number:

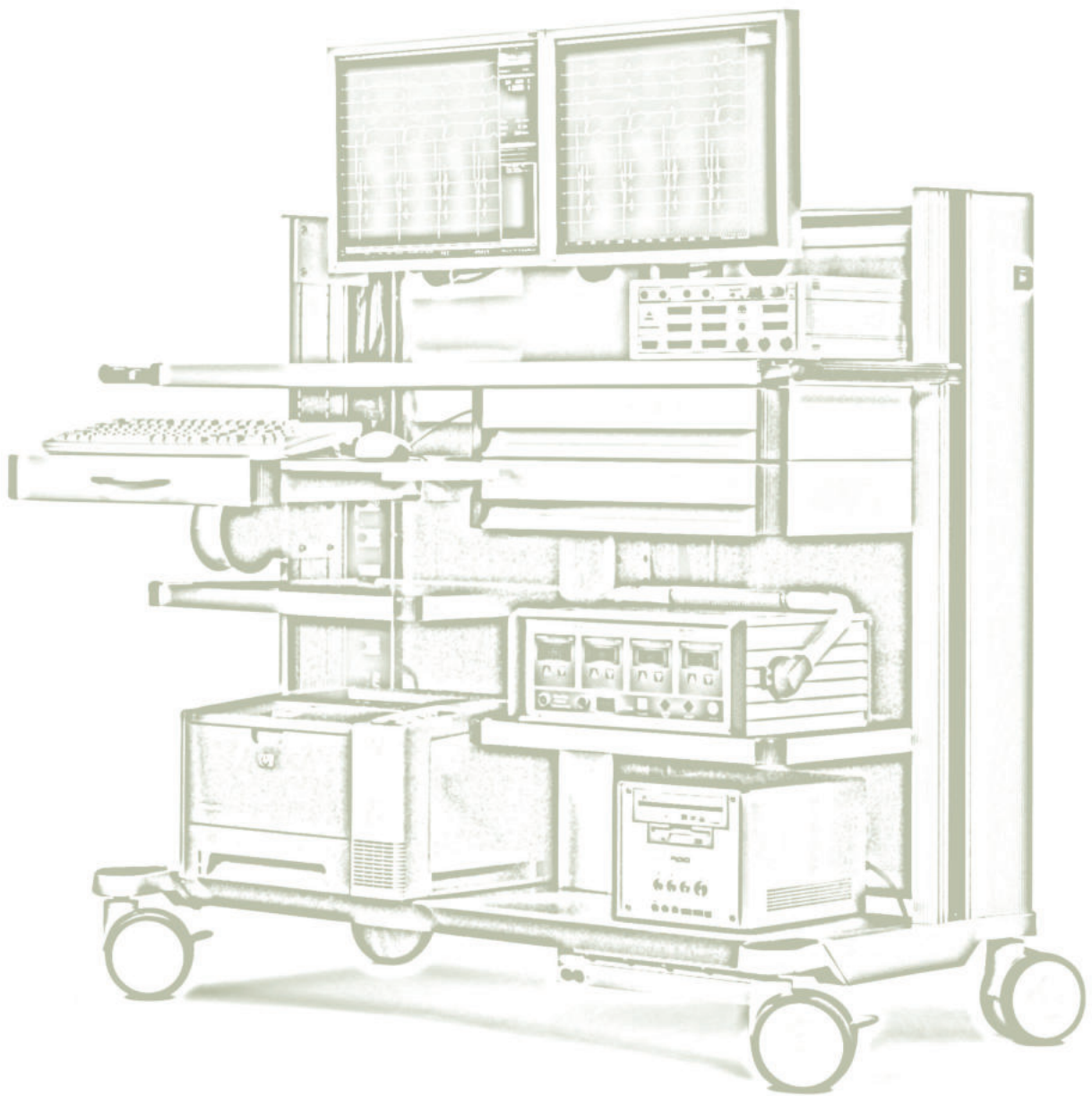
Installation width W 1100mm EC.0416.XXX¹⁾

Equipment cart, 30 U + 10 U (Total height: 1465mm), fitted with:

- 1 basic frame, width 1100 mm with 4 lockable twin castors Ø 100 mm, conductive
- 1 continuous upper platform with handles at the side
- 1 standard runner, length 1100 mm
- 4 shelves
- 3 drawers, 1 unit
- 1 extendable shelf
- 1 multipurpose box
- 1 endoscope holder, single
- 1 drip glass
- 1 isolating transformer 1600 VA

Installation height: 30 U (960 mm)
 Load capacity: 150 kg / 330 lbs
 Finish: RAL 7035 light grey powder-coated
 Decorative trims: handles, corners and strips see ¹⁾
 Scope of delivery: assembled

Installation height: 30 U + 10 U (1280 mm)
 Load capacity: 150 kg / 330 lbs
 Finish: RAL 7035 light grey powder-coated
 Decorative trims: handles, corners and strips see ¹⁾
 Scope of delivery: assembled



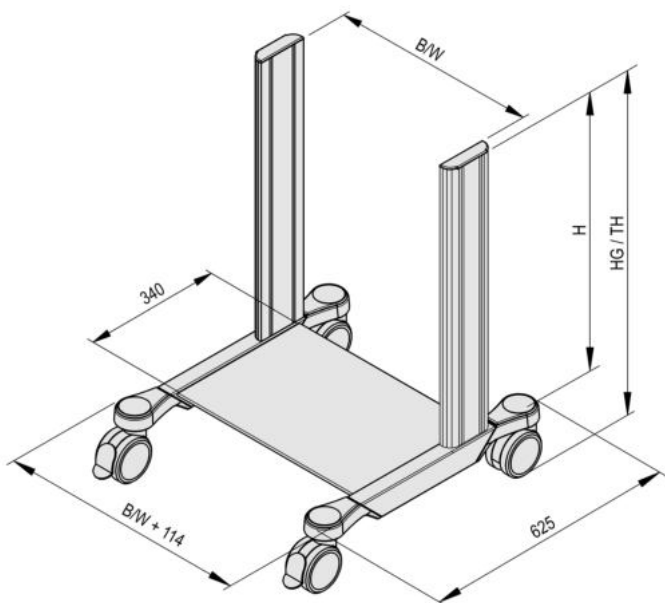
BASIC FRAME classic-cart

Basic frame classic-cart „Profi“

The design of the base guarantees a high torsional rigidity and stability as well as the space-saving integration of an isolating transformer. The vertical extrusions allow for the secure mounting of power and data lines or the integration of power columns. In addition, they provide for effective and orderly cable management. Four lockable twin castors (Ø 100 mm) ensure high comfort while in motion and secure operational fixture. Decorative trims provide attractive design interface for the customer´s CI.

Load capacity: 150 kg / 330 lbs
 Material: steel / aluminium
 Finish: RAL 7035 light grey powder-coated
 Decorative trims: see ¹⁾
 Scope of delivery: 1 basic frame „Profi“, assembled

classic-cart



Installation height H	Total height TH	Castors Ø	Item number W 500 mm	Item number W 600 mm
21 U (672 mm)	829 mm	100 mm	GW.5502.XXX ¹⁾	GW.6502.XXX ¹⁾
30 U (960 mm)	1117 mm	100 mm	GW.5503.XXX ¹⁾	GW.6503.XXX ¹⁾
40 U (1280 mm)	1437 mm	100 mm	GW.5504.XXX ¹⁾	GW.6504.XXX ¹⁾
Counterweight set (under the base crossbeam)			ZV.9742.999	ZV.9742.999

¹⁾ Decorative trims: please replace .XXX with .901 = RAL 5021 water blue, .902 = RAL 5013 cobalt blue, .903 = RAL 7035 light grey

BASIC FRAME classic-cart

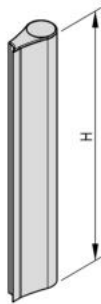
Power columns for basic frame classic-cart „Profi“

The aluminium extrusion with two spacious cable shafts offers lots of storage space for cable management. Power cables and data lines can be routed separately to individual units. This means socket strip can be enclosed and integrated over the full height to the columns. Continuous soft cover extrusions protect cabling. Quick-release cable ties provide fast cable fixing.

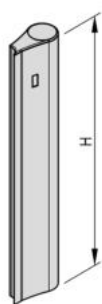
Material: aluminium
Finish: RAL 7035 light grey powder-coated
Scope of delivery: 2 power columns including mounting hardware



without preparation



with preparation for
on / off switch



classic-cart

Power columns	Item number
21 U (672 mm)	GW.0242.991
30 U (960 mm)	GW.0243.991
40 U (1280 mm)	GW.0244.991

Power columns with preparation for on/off switch	Item number
21 U (672 mm)	GW.0660.991
30 U (960 mm)	GW.0661.991
40 U (1280 mm)	GW.0662.991

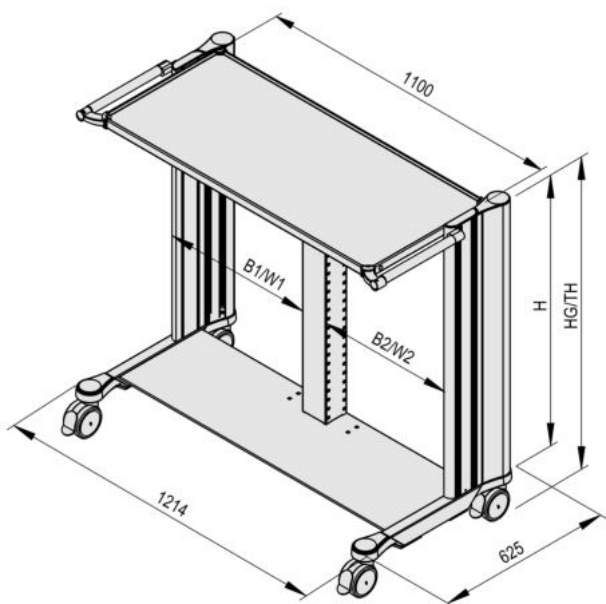
BASIC FRAME classic-cart

Basic frame classic-cart width 1100 mm

The basic frame classic-cart width 1100 mm has a high load capacity and stability. The base unit accommodates the vertical extrusion, the power columns and the centre column. The decorative trims are insertable in the vertical extrusions and provide options for a choice of individual colour. The basic frame gives also the option of integrating of powerful isolating transformer and lift-out rear panels. The basic frame has a width of 1100 mm and is in a symmetrical version with an installation width of 500 mm, and an asymmetrical version with installation widths of 450 mm and 600 mm available. The appropriate version can be chosen to suit the size of the devices to be integrated. Four lockable twin castors (Ø 100 mm) ensure high comfort while in motion and secure operational fixture.

Load capacity: 150 kg / 330 lbs
 Material: steel / aluminium
 Finish: RAL 7035 light grey powder-coated
 Decorative trims: see ¹⁾
 Scope of delivery: 1 basic frame, assembled

classic-cart



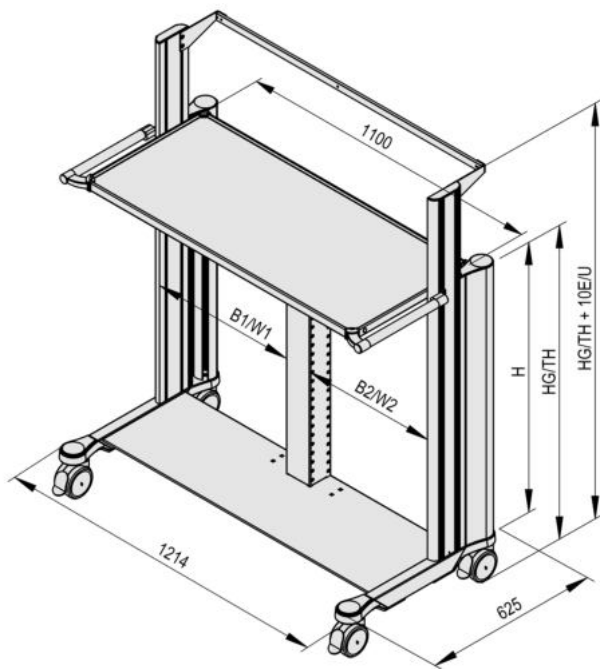
Installation width W1 / W2	Installation height H	Total height TH	Castors Ø	Item number
Symmetrical: 500 mm / 500 mm	30 U (960 mm)	1117 mm	100 mm	EC.0400.XXX ¹⁾
Asymmetrical: 450 mm / 600 mm	30 U (960 mm)	1117 mm	100 mm	EC.0402.XXX ¹⁾
Asymmetrical: 600 mm / 450 mm	30 U (960 mm)	1117 mm	100 mm	EC.0403.XXX ¹⁾

BASIC FRAME classic-cart

Basic frame classic-cart width 1100 mm with extended vertical extrusion

The basic frame classic-cart width 1100 mm with extended vertical extrusions and standard runner (length: 1100 mm) offers the advantage of the basic version combined with the opportunity to mount additional accessories, e.g. multipurpose boxes, in a space-saving configuration. The decorative trims are insertable in the vertical extrusions and provide options for a choice of individual colour.

Load capacity: 150 kg / 330 lbs
 Material: steel / aluminium
 Finish: RAL 7035 light grey powder-coated
 Decorative trims: see ¹⁾
 Scope of delivery: 1 basic frame, assembled



classic-cart

Installation width W1 / W2	Installation height H	Total height TH	Castors Ø	Item number
Symmetrical: 500 mm / 500 mm	30 U + 10 U (1280 mm)	1437 mm	100 mm	EC.0401.XXX ¹⁾
Asymmetrical: 450 mm / 600 mm	30 U + 10 U (1280 mm)	1437 mm	100 mm	EC.0404.XXX ¹⁾
Asymmetrical: 600 mm / 450 mm	30 U + 10 U (1280 mm)	1437 mm	100 mm	EC.0405.XXX ¹⁾

BASIC FRAME classic-cart

Castor conversion kit for basic frame classic-cart „Profi“

For further requirements – as conversion kit instead of the specified standard design – the following castors are offered:

Scope of delivery: 1 castor conversion kit, 4 castors, each with wheel lock. Factory assembly only

Castor conversion kit	Instead of standard	Item number
Ø 100 mm, conductive	Ø 100 mm	ZV.9922.999
Ø 125 mm, conductive	Ø 100 mm	ZV.9923.999
Ø 125 mm, conductive	Ø 100 mm, conductive	ZV.9924.999
Wall protector		ZV.9964.999

Castor conversion kit for basic frame classic-cart width 1100 mm

For further requirements – as conversion kit instead of the specified standard design – the following castors are offered:

Scope of delivery: 1 castor conversion kit, 4 castors, each with wheel lock. Factory assembly only

Castor conversion kit	Instead of standard	Item number
Ø 125 mm, conductive	Ø 100 mm, conductive	ZV.9924.999
Wall protector		ZV.9964.999

Rear panels for basic frame classic-cart

The rear panel for classic-cart can be removed with two quick fasteners. It protects equipment against unauthorised access and offers quick access to the equipment during installation or servicing.

Material: steel
 Finish: RAL 7035 light grey powder-coated
 Scope of delivery: 1 rear panel including mounting hardware, factory assembly only;
 2 rear panels for basic frame width 1100 mm, including mounting hardware, factory assembly only



Rear panel for basic frame classic-cart	Item number W 500 mm	Item number W 600 mm
21 U (672 mm)	GW.5150.991	GW.6150.991
30 U (960 mm)	GW.5151.991	GW.6151.991
40 U (1280 mm)	GW.5152.991	GW.6152.991

Rear panels for basic frame width 1100 mm	Item number W 500 mm / W 500 mm	Item number W 600 mm / W 450 mm
30 U (960 mm)	GW.8050.991	GW.8051.991

ISOLATING TRANSFORMER classic-cart

Isolating transformer for classic-cart

The isolating transformer is used to reduce the dangers for patients and professionals posed by leakage by providing insulation to the network. Single-fault protection and potential-free voltage supply is guaranteed by the use of the isolating transformer. This allows a constant power supply to electro-medical equipment and a safe patient environment. The isolation transformer is fitted below the base crossbeam. The isolation transformers are also available with the option of an insulation monitor.

Power:	660 VA / 1000 VA / 1600 VA
Input-/ Output voltage:	115 V / 115 V, 50 Hz / 60 Hz or 230 V / 230 V, 50 Hz / 60 Hz – switchable
Power input:	IEC 320 EURO input for use of country-specific power cables
Design:	toroidal transformer
Conditionally short circuit proof:	in conformity with IEC 742 and IEC 601-1
Inrush current limitation:	electronically regulated on nominal current
Safety class:	1
Insulation voltage:	PRI – earth: 1500 V, SEC – earth: 1500 V, PRI – SEC: 4000 V
Fuse protection:	primary 2-phase with micro fuse
Test:	CE labelling, NRTL-approval for 1600 VA and for 1600 VA with insulation monitor
Protection class:	IP20
Material:	steel / copper
Finish:	RAL 7035 light grey powder-coated
Assembly:	under the base
Scope of delivery:	1 isolating transformer 660 VA, 1000 VA or 1600 VA, fitted with: on/off switch; power cable earthed Schuko 5m; 2x4-way equipotential bonding connectors IEC320; plug removal barrier, insulation monitor (depending on type), pre-assembled. In case of ordering insulation monitor and integration of on/off switch in the power column - factory assembly only

Insulation monitor ELG (Earth Leakage Guard) including temperature monitoring

Insulation monitor gives out a visual and acoustic signal and the light-emitting diode and sound indicate that there is a critical fall in the isolation resistance of the whole system. This system does not replace the recommended regular tests and maintenance of those devices that are connected.

Operate value:	53 kOhm ± 5%
Test resistance:	33 kOhm
Input voltage:	150 V / 230 VAC ± 15%, 50 Hz / 60 Hz
AC internal resistance:	220 kOhm
DC internal resistance:	320 kOhm
Measuring direct voltage:	12 V ± 0,3 V
Max. measuring current:	< 0,5 mA
Max. external DC voltage:	250 V DC



Isolating transformer for classic-cart	Item number without insulation monitor	Item number with insulation monitor
Isolating transformer, Power 660 VA	ZV.9350.999	ZV.9351.999
Isolating transformer, Power 1000 VA	ZV.9352.999	ZV.9353.999
Isolating transformer, Power 1600 VA	ZV.9354.999	ZV.9355.999
On / Off switch integrated in the power column		GW.0525.999

SOCKET STRIPS classic-cart

EURO socket strip for classic-cart

Ratings: 10 A / 250 VAC
 Installation: in the power columns
 Scope of delivery: 1 EURO socket strip including mounting hardware



Designation	Connection cable	Standard	Item number
① 6-way, with external earthing contact	without	IEC 320	ZV.9501.999
② 8-way, with external earthing contact	without	IEC 320	ZV.9376.999

The corresponding connection cable must be ordered separately and can be found in the Chapter Accessories.

Socket strips Schuko for classic-cart

Ratings: 16 A / 250 VAC
 Installation: in the power columns
 Scope of delivery: 1 socket strip Schuko including mounting hardware



Designation	Connection cable	Standard	Item number
① 3-way, with on/off switch and earthing contact	5 m	DIN VDE 0620-1	ZV.9977.999
② 6-way, with earthing contact	5 m	DIN VDE 0620-1	ZV.9503.999
③ 8-way, with earthing contact	5 m	DIN VDE 0620-1	ZV.9504.999
④ 8-way, with on/off switch and earthing contact	5 m	DIN VDE 0620-1	ZV.9502.999
⑤ 8-way, with on/off switch in the power column, factory assembly only	5 m	DIN VDE 0620-1	ZV.9505.999

Socket strip French Standard for classic-cart

Ratings: 16 A / 250 VAC
 Installation: in the power columns
 Scope of delivery: 1 socket strip French Standard including mounting hardware



Designation	Connection cable	Standard	Item number
6-way, with earthing contact	5 m	CEE7, UTE	ZV.9506.999

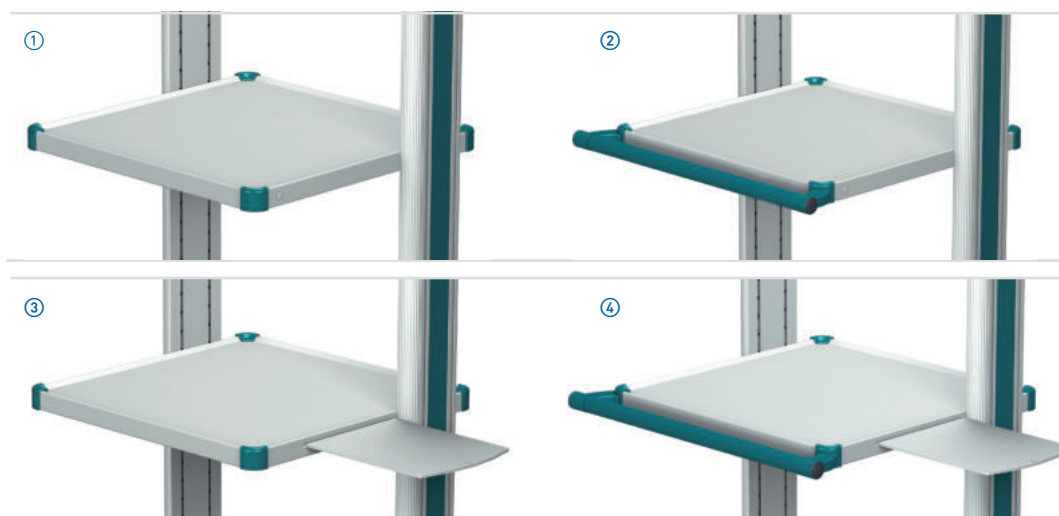
Plug removal barriers are available in Chapter Accessories.

SHELVES classic-cart

Shelves for classic-cart

The shelves for the classic-cart are characterised by being spacious, with raised edges and rounded decorative corners. The low installation height saves space and creates valuable space for other system components. The shelves are available with various features such as handles or a mousepad. The integrated mousepad is extendable to the right and to the left. The handles are available in different colours.

Installation height: 1 U (32 mm)
 Dimensions (W x D): W 450 mm: 450 mm x 491 mm; W 500 mm: 500 mm x 491 mm; W 600 mm: 600 mm x 491 mm
 Usable area (W x D): W 450 mm: 406 mm x 447 mm; W 500 mm: 456 mm x 447 mm; W 600 mm: 556 mm x 447 mm
 Load capacity: 50 kg / 110 lbs distributed load
 Material: steel / aluminium
 Finish: RAL 7035 light grey powder-coated
 Decorative trims: handles and corners see ¹⁾
 Installation: in the T-slots of vertical extrusion
 Scope of delivery: 1 shelf including mounting hardware, pre-assembled



Designation	Item number W 450 mm	Item number W 500 mm	Item number W 600 mm
① Shelf	GW.4001.XXX ¹⁾	GW.5001.XXX ¹⁾	GW.6001.XXX ¹⁾
② Shelf with handle	GW.4002.XXX ¹⁾	GW.5002.XXX ¹⁾	GW.6002.XXX ¹⁾
③ Shelf with mousepad	GW.4035.XXX ¹⁾	GW.5035.XXX ¹⁾	GW.6035.XXX ¹⁾
④ Shelf with handle and mousepad	GW.4049.XXX ¹⁾	GW.5049.XXX ¹⁾	GW.6049.XXX ¹⁾

Shelf depth 320 mm for classic-cart

This shelf is space-saving and suitable for accommodating small, medical devices or monitors.

Installation height: 1 U (32 mm)
 Dimensions (W x D): W 500 mm: 500 mm x 320 mm; W 600 mm: 600 mm x 320 mm
 Usable area (W x D): W 500 mm: 456 mm x 276 mm; W 600 mm: 556 mm x 276 mm
 Load capacity: 50 kg / 110 lbs distributed load
 Material: steel / aluminium
 Finish: RAL 7035 light grey powder-coated
 Decorative trims: corners see ¹⁾
 Installation: in the T-slots of vertical extrusion
 Scope of delivery: 1 shelf including mounting hardware, pre-assembled



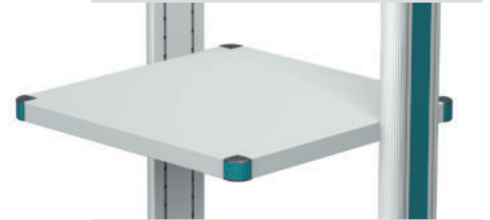
Designation	Item number W 500 mm	Item number W 600 mm
Shelf depth 320 mm	GW.5025.XXX ¹⁾	GW.6025.XXX ¹⁾

SHELVES classic-cart

Flat shelf for classic-cart

The flat shelf has no round raised edge so printer paper drawers can be left open without any problem and also offers a larger working area.

Installation height: 1 U (32 mm)
 Dimensions (W x D): W 450 mm: 450 mm x 491 mm; W 500 mm: 500 mm x 491 mm; W 600 mm: 600 mm x 491 mm
 Usable area (W x D): W 450 mm: 450 mm x 491 mm; W 500 mm: 500 mm x 491 mm; W 600 mm: 600 mm x 491 mm
 Load capacity: 30 kg / 66 lbs distributed load
 Material: steel / aluminium
 Finish: RAL 7035 light grey powder-coated
 Decorative trims: corners see ¹⁾
 Installation: in the T-slots of vertical extrusion
 Scope of delivery: 1 flat shelf including mounting hardware



Designation	Item number W 450 mm	Item number W 500 mm	Item number W 600 mm
Flat shelf	GW.4008.XXX ¹⁾	GW.5008.XXX ¹⁾	GW.6008.XXX ¹⁾

Extendable shelf for classic-cart

The extendable shelf provides quick access to your equipment for assembly and servicing. It can also be used as a keyboard shelf. The shelf extends to 265 mm and allows easy access from all sides to other attached devices. Locking point stops fix the shelf in position when it is extended or closed. The handle attached to the front allows the user to move the shelf forwards and backwards.

Installation height: 1,5 U (48 mm)
 Dimensions (W x D): W 450 mm: 450 mm x 491 mm; W 500 mm: 500 mm x 491 mm; W 600 mm: 600 mm x 491 mm
 Usable area (W x D): W 450 mm: 386 mm x 486 mm; W 500 mm: 436 mm x 486 mm; W 600 mm: 536 mm x 486 mm
 Load capacity: 20 kg / 44 lbs distributed load
 Material: steel / aluminium
 Finish: RAL 7035 light grey powder-coated
 Decorative trims: corners see ¹⁾
 Installation: in the T-slots of vertical extrusion
 Scope of delivery: 1 extendable shelf including mounting hardware



Designation	Item number W 450 mm	Item number W 500 mm	Item number W 600 mm
Extendable shelf	GW.4040.XXX ¹⁾	GW.5040.XXX ¹⁾	GW.6040.XXX ¹⁾

Base shelf for classic-cart

The base shelf provides a cost-effective option, e.g. for placing printers directly on the base of the equipment cart.

Installation height: 1 U (32 mm)
 Dimensions (W x D): W 450 mm: 450 mm x 491 mm; W 500 mm: 500 mm x 491 mm; W 600 mm: 600 mm x 491 mm
 Usable area (W x D): W 450 mm: 450 mm x 491 mm; W 500 mm: 500 mm x 491 mm; W 600 mm: 600 mm x 491 mm
 Load capacity: 20 kg / 44 lbs distributed load
 Material: steel
 Finish: RAL 7035 light grey powder-coated
 Installation: in the T-slots of vertical extrusion
 Scope of delivery: 1 base shelf including mounting hardware



Designation	Item number W 450 mm	Item number W 500 mm	Item number W 600 mm
Base shelf	GW.4075.991	GW.5075.991	GW.6075.991

¹⁾ Decorative trims: please replace .XXX with .901 = RAL 5021 water blue, .902 = RAL 5013 cobalt blue, .903 = RAL 7035 light grey

DRAWERS classic-cart

Drawers for classic-cart

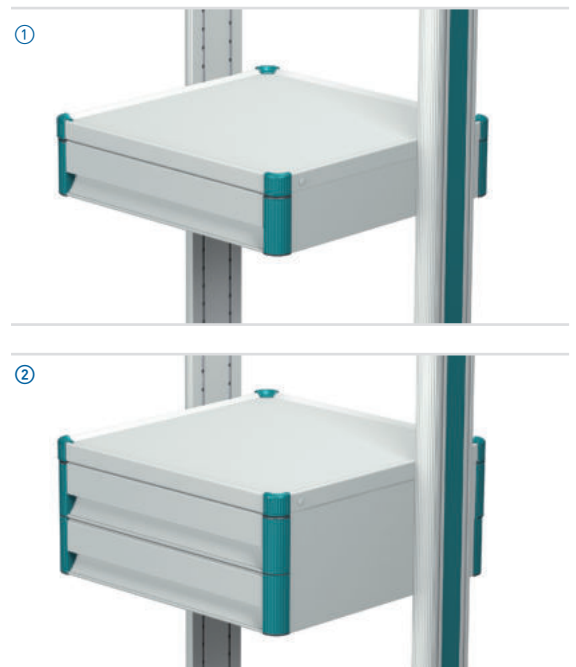
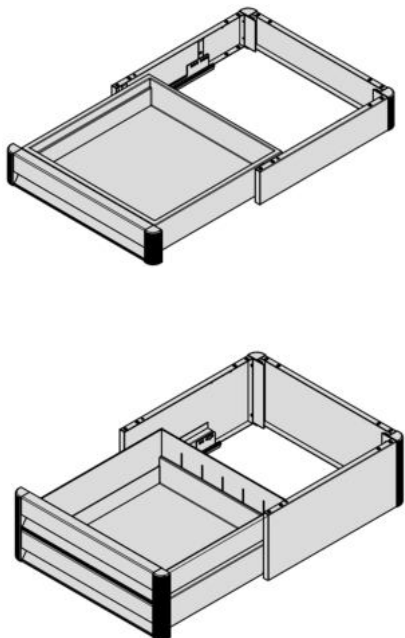
The classic-cart drawers are characterised by providing a large storage space and a smooth removable inner body. The drawer is fitted with a mechanical single locking lever that ensures that the drawer cannot open abruptly when approaching a threshold. Drawers are available in different designs with handles or a mousepad. The integrated mousepad is extendable to the right and to the left.

Dimensions (W x D): W 450 mm: 450 mm x 491 mm; W 500 mm: 500 mm x 491 mm; W 600 mm: 600 mm x 491 mm

Interior area: Drawer: W 450 mm: 360 mm x 400 mm x 85 mm (W x D x H)
 W 500 mm: 410 mm x 400 mm x 85 mm (W x D x H)
 W 600 mm: 510 mm x 400 mm x 85 mm (W x D x H)
 Drawer high: W 450 mm: 360 mm x 400 mm x 180 mm (W x D x H)
 W 500 mm: 410 mm x 400 mm x 180 mm (W x D x H)
 W 600 mm: 510 mm x 400 mm x 180 mm (W x D x H)

Load capacity: 3 kg / 6.6 lbs distributed load
 Material: steel / plastic
 Finish: RAL 7035 light grey powder-coated
 Decorative trims: handles and corners see ¹⁾
 Installation: in the T-slots of vertical extrusion
 Scope of delivery: 1 drawer including mounting hardware, pre-assembled

**You always require a shelf of corresponding width as the top cover for the drawer.
 This is NOT included in the scope of delivery.**



classic-cart

Designation	Installation height	Item number W 450 mm	Item number W 500 mm	Item number W 600 mm
① Drawer	3 U (96 mm)	GW.4051.XXX ¹⁾	GW.5051.XXX ¹⁾	GW.6051.XXX ¹⁾
② Drawer, 1 unit, high	6 U (192 mm)	GW.4052.XXX ¹⁾	GW.5052.XXX ¹⁾	GW.6052.XXX ¹⁾

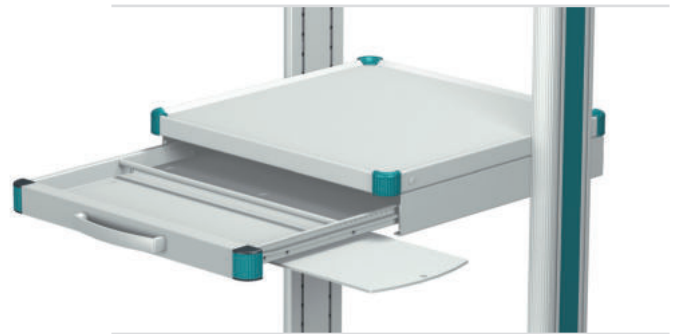
Lock on request

KEYBOARD DRAWER classic-cart

Keyboard drawer with mousepad (left / right) for classic-cart

The keyboard drawer is characterised by a full extension of 345 mm. This allows two small keyboards to be placed next to each other. An installation width of 500 mm allows for a keyboard with a maximum width of 457 mm. An installation width of 600 mm allows for a keyboard with a maximum width of 557 mm. The keyboard is prevented from slipping by an adjustable strut.



- Installation height: 2 U (64 mm)
- Load capacity: 5 kg / 11 lbs distributed load
- Material: steel
- Finish: RAL 7035 light grey powder-coated
- Decorative trims: corners see ¹⁾
- Installation: in the T-slots of vertical extrusion
- Scope of delivery: 1 keyboard drawer including mounting hardware, pre-assembled



Designation	Item number W 450 mm	Item number W 500 mm	Item number W 600 mm
Keyboard drawer with mousepad (left / right)	GW.4033.XXX ¹⁾	GW.5036.XXX ¹⁾	GW.6036.XXX ¹⁾

MONITOR HOLDERS classic-cart

Monitor holders for classic-cart

Installation	On monitor crossbeam			On monitor shelf		
	 <p>± 20° tilt ± 170° swivel</p>			 <p>± 20° tilt ± 170° swivel</p>		
VESA 75 / 100	Monitor weight	Item number W500 mm	Item number W600 mm	Monitor weight	Item number W500xD320 mm	Item number W600xD320 mm
	0-14 kg	GW.5167.991	GW.6167.991	0-14 kg	GW.5169.XXX ¹⁾	GW.6169.XXX ¹⁾
	14-18 kg	GW.5168.991	GW.6168.991	14-18 kg	GW.5170.XXX ¹⁾	GW.6170.XXX ¹⁾
	 <p>± 15° tilt ± 35° swivel</p>			 <p>± 15° tilt ± 35° swivel</p>		
VESA 75 / 100 universal	Monitor weight	Item number W500 mm	Item number W600 mm	Monitor weight	Item number W500xD380 mm	Item number W600xD380 mm
	0-14 kg	GW.5096.991	GW.6096.991	0-14 kg	GW.5091.XXX ¹⁾	GW.6091.XXX ¹⁾
VESA 75 / 100 adjustable	 <p>± 15° tilt ± 35° swivel</p>			 <p>± 15° tilt ± 35° swivel</p>		
VESA 75 / 100 adjustable	Monitor weight	Item number W500 mm	Item number W600 mm	Monitor weight	Item number W500xD380 mm	Item number W600xD380 mm
	0-14 kg	GW.5097.991	GW.6097.991	0-14 kg	GW.5092.XXX ¹⁾	GW.6092.XXX ¹⁾

classic-cart

Installation height: monitor crossbeam: 2 U (64 mm); monitor shelf: 1 U (32 mm)
 Material: steel / aluminium
 Finish: RAL 7035 light grey powder-coated
 Decorative trims: corners see ¹⁾
 Scope of delivery: 1 monitor holder, corresponding monitor crossbeam or monitor shelf and mounting hardware

compact-cart

THE NEWLY DESIGNED CLASSIC

The compact-cart is a twin-column equipment cart with a total load of up to 180 kg / 396 lbs. There are three different installation widths of 450 mm, 500 mm and the maximum of 650 mm. An installation height of 40 U (1280 mm) and newly designed cable management together provide a variety of design options for compact storage and cabling of your equipment. Monitors weighing up to 18 kg / 39.6 lbs can be installed on monitor crossbeams or monitor shelves. In addition, compact-cart allows you the possibility to integrate a high-performance isolation transformer (up to 2000 VA) below the base.



compact-cart

THE COMPACT CART WITH A SPECIAL MISSION



compact-cart

compact-cart offers an amount of work area in a particularly compact design. The low centre of gravity and the projecting castors provide outstanding tilt stability. The choice between the two basic frames "Economy" – for small cable volumes – and the outstanding "Profi" version with expanded routing capacity and optional isolating transformer make compact-cart an all-rounder in a number of areas such as endoscopy or ultrasound diagnostics.



compact-cart
Application for use measuring
technical data of dialysis equipment



compact-cart
Arthroscopy application



compact-cart
Arthroscopy application



compact-cart
Ultrasound application

compact-cart

compact-cart – THE HIGHLIGHTS AT A GLANCE

Possibilities for extensive variations

- Base widths of 450 mm, 500 mm and 650 mm along with mounting heights of up to 40 units provide for a high degree of variation. Rear doors provide protection against access and even easier mounting possibilities. A rich selection of components and mounting options for accessories, monitor mounts and holders offer solutions for various requirements.

Efficient ergonomics

- compact-cart can be pushed, pulled or just aligned using the options of handles at the front or on the side of the shelves, behind the power columns or large round handles at the front of the vertical extrusions.

Hygienic

- Smooth surfaces and enclosed cable routing provide ideal cleaning conditions.
- The hygiene of all ITD products is validated with the certificate of the German Society for Hospital Hygiene (DGKH).

Powerful character

- Large areas of space and a high load capacity are provided through compact construction and exceptional design without the loss of elegance.

Smart cable management

- There is enough space in the large rear ducts of the power columns for: socket strips, POAG connectors and lengths of cable. Data cables can be fed through a separate duct at the front. All the ducts are entirely covered by rubber lips or optional cover strips. The rubber lips allow the cables to be led in or out at any height on the extrusion.

Safe power supply

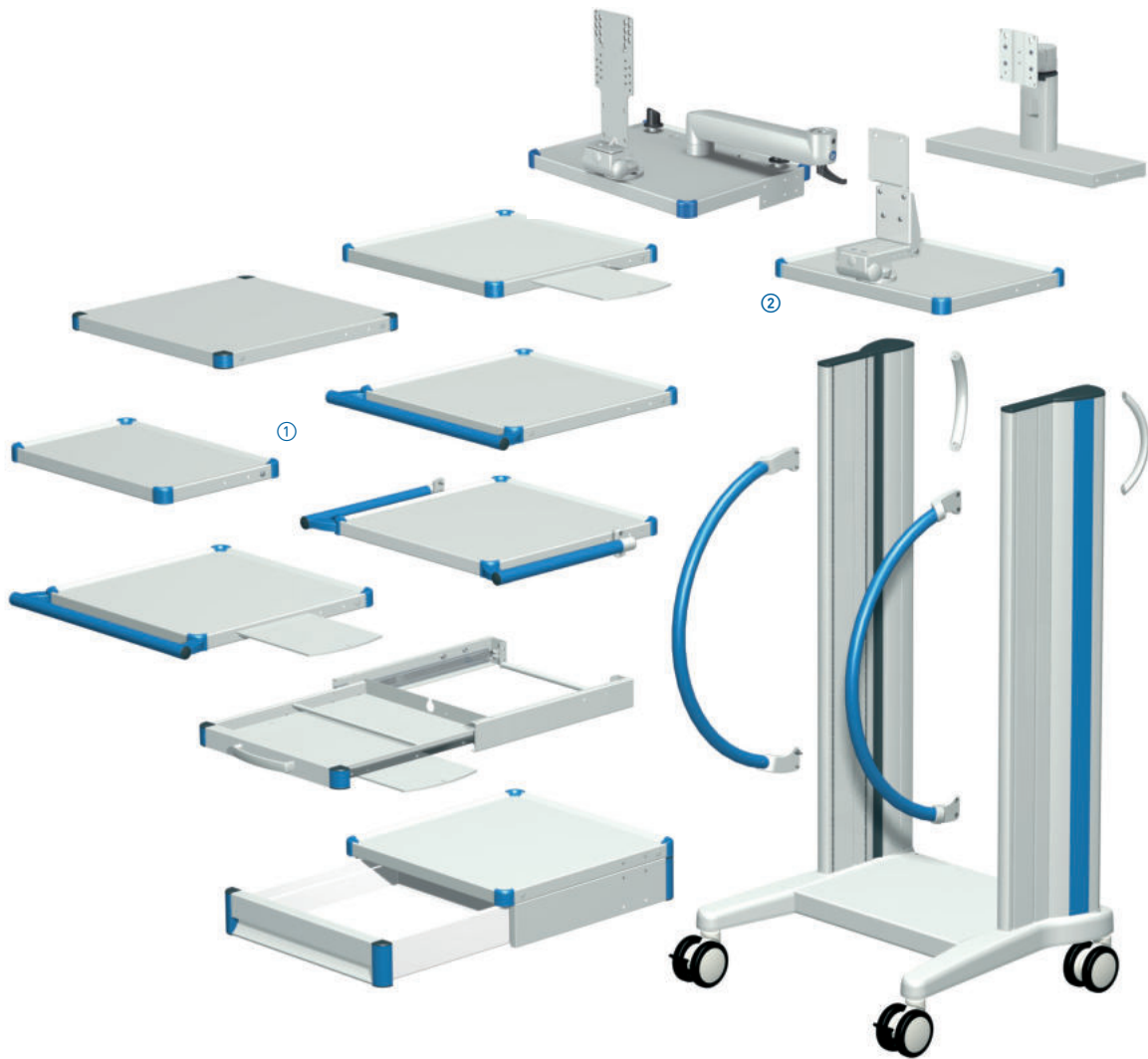
- Isolating transformers of up to 2000 VA with optional insulation monitors offer the possibility of the reduction of high leakage. The mounting position of the isolating transformer at the base helps to maximum the use of space and increase stability without compromising the design.
- Country-specific sockets are mounted in the vertical extrusions of the compact-cart and maximise the use of space and are virtually invisible.



compact-cart

MODULARITY FOR NUMEROUS CONFIGURATION OPTIONS

The modular structure is the defining feature of the compact-cart two-column equipment carts and the entire ITD product range, which allows all support systems to be configured, customised, upgraded or easily modified for special functions and application areas using the extensive standard range. This capability allows users to react fast and consistently to any changes or new customer requirements. The T-slots on the vertical extrusion or special devices ensure easy assembly of the components. The display presented alongside shows a small selection of accessories for the compact-cart equipment carts.



compact-cart



Shelves are supplied in different versions and the continuous raised edge offers your valuable equipment a secure hold.



compact-cart can accommodate several types of monitors on its monitor shelf or on a crossbeam.

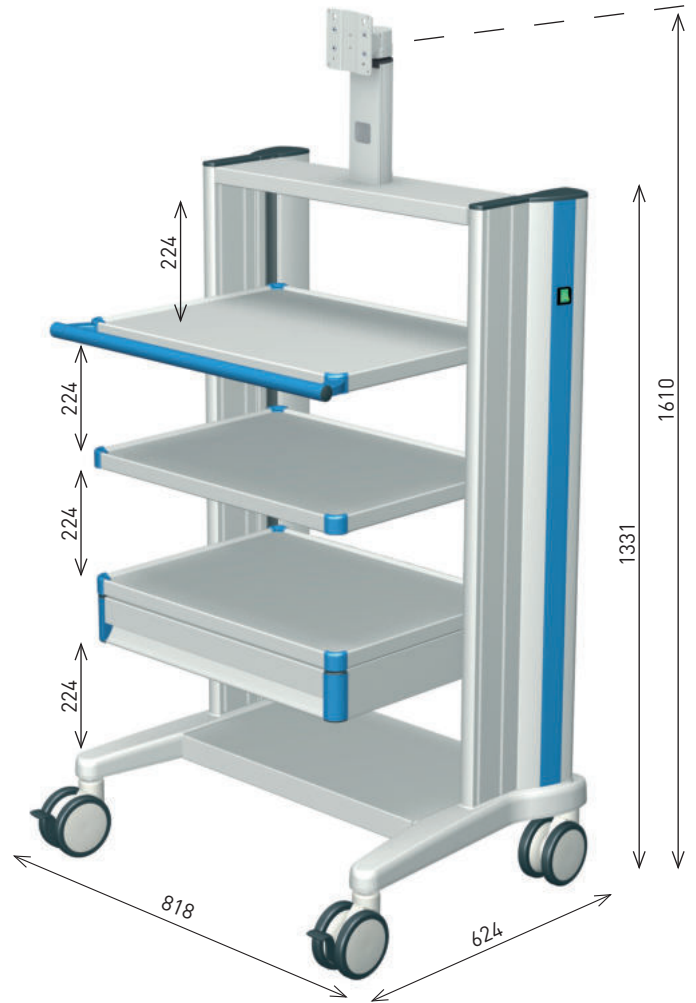
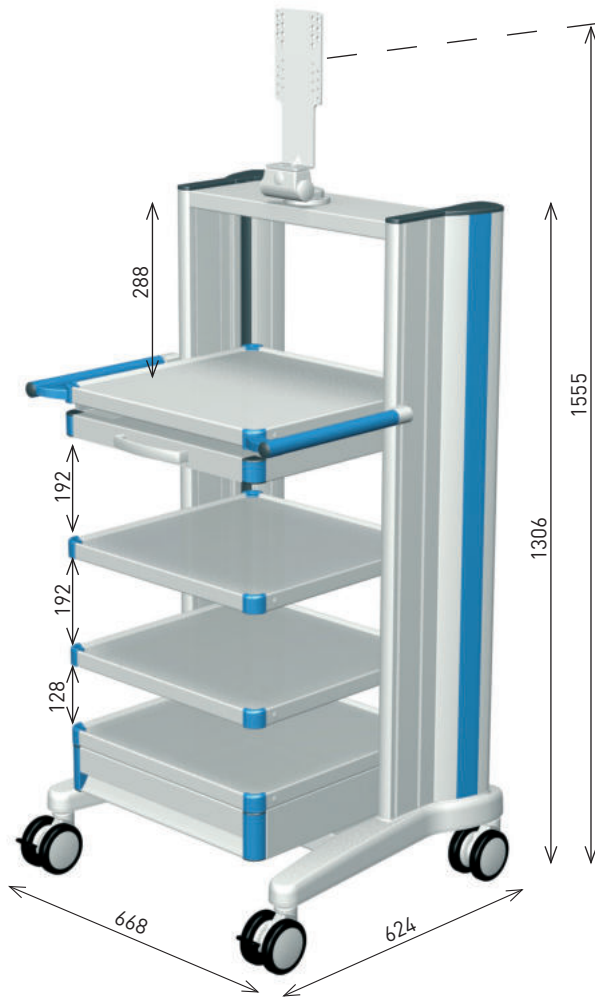


Variable height support arms (with or without a swivel arm) can be attached by means of a monitor shelf, or else fastened directly to the power column.



Powerful isolating transformers (up to 2000 VA) reduce the maximum discharge current and can be safely incorporated in the equipment cart base.

ORDER CONFIGURATIONS



compact-cart

compact-cart video cart

Item number:

Installation width W 500 mm CC.5080.XXX¹⁾

Equipment cart, 35 U (Total height: 1306 mm), fitted with:

- 1 basic frame „Profi“ with 4 lockable twin castors Ø 100 mm
- 3 shelves
- 1 shelf with handle at the side
- 1 drawer
- 1 keyboard drawer with mousepad (left / right)
- 1 monitor crossbeam with tilt and swivel monitor holder, universal, with VESA 75 / 100 adaptation up to 14 kg / 30.8 lbs

Installation height: 35 U (1120 mm)
 Load capacity: 180 kg / 396 lbs
 Finish: RAL 7035 light grey powder-coated
 Decorative trims: handles, corners and strips see ¹⁾
 Scope of delivery: assembled

compact-cart video cart

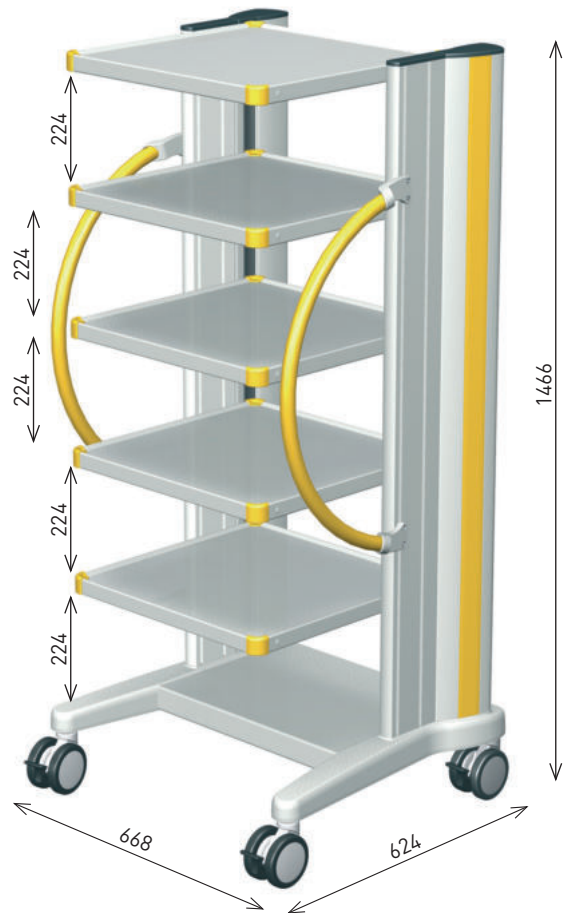
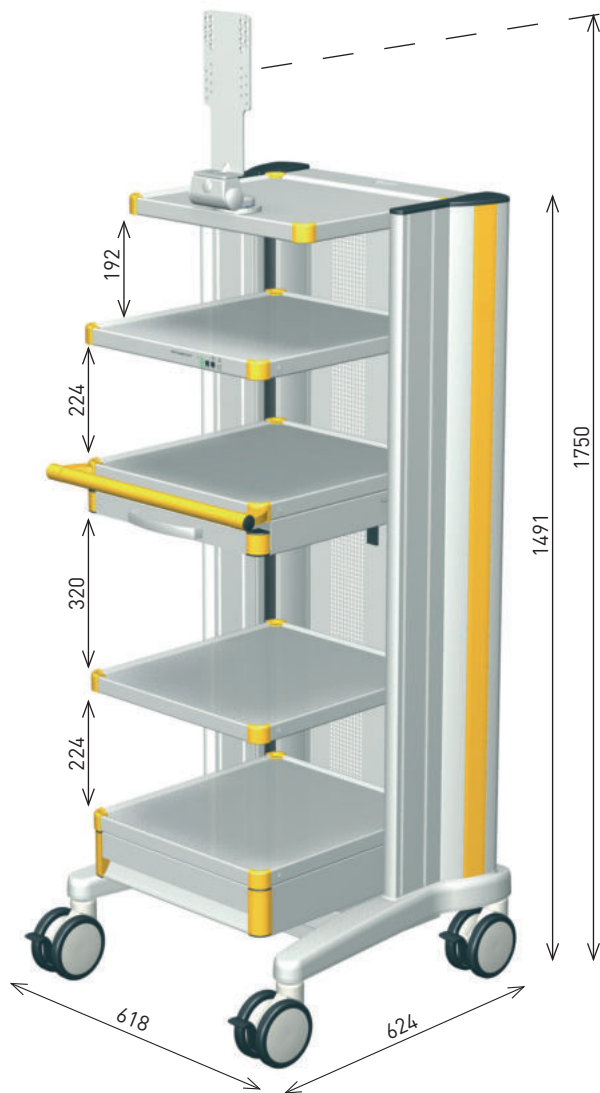
Item number:

Installation width W 650 mm CC.6582.XXX¹⁾

Equipment cart, 35 U (Total height: 1331 mm), fitted with:

- 1 basic frame „Profi“ with 4 lockable twin castors Ø 125 mm
- 2 shelves
- 1 shelf with handle, front
- 1 drawer
- 1 monitor crossbeam with tilt and swivel monitor holder, universal, with VESA 75 / 100 adaptation up to 14 kg / 30.8 lbs
- 1 socket strip, Schuko, 8-way, with on/off switch

Installation height: 35 U (1120 mm)
 Load capacity: 180 kg / 396 lbs
 Finish: RAL 7035 light grey powder-coated
 Decorative trims: handle, corners and strips see ¹⁾
 Scope of delivery: assembled



compact-cart video cart

Item number:

Installation width W 450 mm VT.4510.XXX¹⁾

Equipment cart, 40 U (Total height: 1491 mm), fitted with:

- 1 basic frame „Profi“ with 4 lockable twin castors Ø 125 mm
- 3 shelves
- 1 shelf with handle, front
- 1 drawer
- 1 keyboard drawer with mousepad (left / right)
- 1 monitor shelf with tilt and swivel monitor holder, universal, with VESA 75 / 100 adaptation up to 14 kg / 30.8 lbs
- 1 isolating transformer 2000 VA with insulation monitor
- 1 rear doors set

Installation height: 40 U (1280 mm)
 Load capacity: 180 kg / 396 lbs
 Finish: RAL 7035 light grey powder-coated
 Decorative trims: handles, corners and strips see ¹⁾
 Scope of delivery: assembled

compact-cart video cart

Item number:

Installation width W 500 mm CC.5081.XXX¹⁾

Equipment cart, 40 U (Total height: 1466 mm), fitted with:

- 1 basic frame „Profi“ with 4 lockable twin castors Ø 100 mm
- 5 shelves
- 2 vertical round handles, front

Installation height: 40 U (1280 mm)
 Load capacity: 180 kg / 396 lbs
 Finish: RAL 7035 light grey powder-coated
 Decorative trims: handles, corners and strips see ¹⁾
 Scope of delivery: assembled

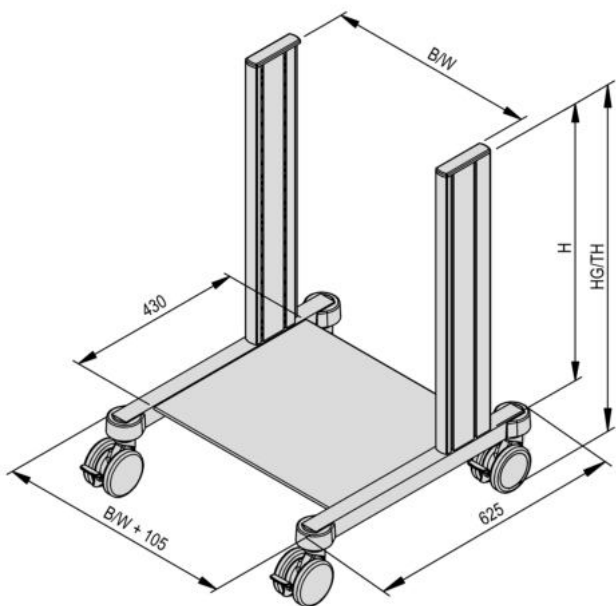
BASIC FRAME compact-cart

Basic frame compact-cart „Economy“

The basic frame for the „Economy“ compact-cart meets the requirements of a functional, mobile equipment cart and is characterised by extreme rigidity. The design of the base also offers an optimum ratio of storage area to work area. Smaller quantities of cables can be easily accommodated in the vertical extrusions. Four lockable twin castors (Ø 100 mm) ensure high comfort while in motion and secure operational fixture.

- Load capacity: 150 kg / 330 lbs
- Material: steel / aluminium
- Finish: RAL 7035 light grey powder-coated
- Scope of delivery: 1 basic frame „Economy“, assembled

compact-cart



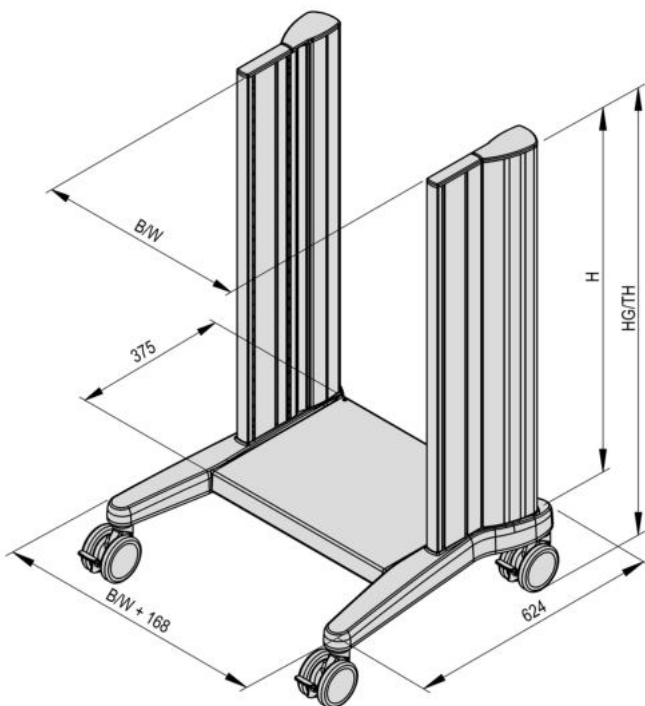
Installation height H	Total height TH	Castors Ø	Item number W 450 mm	Item number W 500 mm
21 U (672 mm)	842 mm	100 mm	EB.4502.991	EB.5002.991
30 U (960 mm)	1130 mm	100 mm	EB.4503.991	EB.5003.991
35 U (1120 mm)	1290 mm	100 mm	EB.4504.991	EB.5004.991
40 U (1280 mm)	1450 mm	100 mm	EB.4505.991	EB.5005.991
Counterweight set (on the base crossbeam)			HA.2094.991	HA.2094.991

BASIC FRAME compact-cart

Basic frame compact-cart „Profi“

The two spacious power columns on the basic „Profi“ compact-cart frame offer an enhanced capacity for the separate installation of larger numbers of power and data cables and socket strips. Optionally, a powerful isolating transformer can be mounted under the base crossbeam. This guarantees secure electrification and effective cable management. Integrated decorative trims can be colour matched to the equipment or the corporate identity. Four lockable twin castors (Ø 100 mm) ensure high comfort while in motion and secure operational fixture.

Load capacity: 180 kg / 396 lbs
 Material: steel / aluminium
 Finish: RAL 7035 light grey powder-coated
 Decorative trims: see ¹⁾
 Scope of delivery: 1 basic frame „Profi“, assembled



compact-cart

Installation height H	Total height TH	Castors Ø	Item number W 450 mm	Item number W 500 mm	Item number W 650 mm
30 U (960 mm)	1146 mm	100 mm	CC.4503.XXX ¹⁾	CC.5003.XXX ¹⁾	CC.6503.XXX ¹⁾
35 U (1120 mm)	1306 mm	100 mm	CC.4504.XXX ¹⁾	CC.5004.XXX ¹⁾	CC.6504.XXX ¹⁾
40 U (1280 mm)	1466 mm	100 mm	CC.4505.XXX ¹⁾	CC.5005.XXX ¹⁾	CC.6505.XXX ¹⁾
Counterweight set (under the base crossbeam)			ZV.9511.999	ZV.9511.999	ZV.9511.999

BASIC FRAME compact-cart

Castor conversion kit for compact-cart

For further requirements – as conversion kit instead of the specified standard design – the following castors are offered:

Scope of delivery: 1 castor conversion kit, 4 castors, each with wheel lock. Factory assembly only

Castor conversion kit	Instead of standard	Item number
Ø 100 mm, conductive	Ø 100 mm	ZV.9428.999
Ø 125 mm, conductive	Ø 100 mm	ZV.9923.999
Ø 125 mm, conductive	Ø 100 mm, conductive	ZV.9924.999
Wall protector		ZV.9964.999

Rear doors set for the basic frame compact-cart „Profi“

The lockable rear doors offer optimum protection against unauthorised access to the devices at the back and are also visually and hygienically the perfect solution. The large opening angle of the doors of 135 ° provides unobstructed access to the equipment during installation and service work. If required, the doors can also be easily unhooked. The perforation in the rear doors allows the air to pass through and also prevents the high-quality, medical devices from overheating.

Material: steel
 Finish: RAL 7035 light grey powder-coated
 Scope of delivery: 1 rear doors set, pre-assembled



Installation height	Item number W 450 mm	Item number W 500 mm	Item number W 650 mm
30 U (960 mm)	CC.4560.991	CC.5060.991	CC.6560.991
35 U (1120 mm)	CC.4561.991	CC.5061.991	CC.6561.991
40 U (1280 mm)	CC.4562.991	CC.5062.991	CC.6562.991

Cable and hose passage for the basic frame compact-cart

The cable and hose passage can be used for trolleys with widths of 450, 500 and 650 mm in conjunction with doors only on trolleys with heights of 35 U and 40 U.

Installation height: 5 U (160 mm)
 Finish: RAL 7035 light grey powder-coated
 Scope of delivery: 1 cable and hose passage, factory assembly only



Designation	Item number W 450 mm	Item number W 500 mm	Item number W 650 mm
Cable and hose passage	CC.4575.991	CC.5075.991	CC.6575.991

ISOLATING TRANSFORMER compact-cart

Isolating transformer for compact-cart

The isolating transformer is used to reduce the dangers for patients and professionals posed by leakage by providing insulation to the network. Single-fault protection and potential-free voltage supply is guaranteed by the use of the isolating transformer. This allows a constant power supply to electro-medical equipment and a safe patient environment. The isolation transformer is fitted below the base crossbeam. The isolating transformers are also available with the option of an insulation monitor.

Power:	1200 VA / 1600 VA / 2000 VA
Input-/ Output voltage:	1200 VA / 1600 VA: 115 V / 115 V or 230 V / 230 V, 50 Hz / 60 Hz - switchable, 2000 VA: 230 V / 230 V, 50 Hz / 60 Hz
Power input:	IEC 320 EURO input for use of country-specific power cables
Design:	toroidal transformer
Conditionally short circuit proof:	in conformity with IEC 742 and IEC 601-1
Inrush current limitation:	electronically regulated on nominal current
Safety class:	1
Insulation voltage:	PRI – Earth: 1500 V, SEC – Earth: 1500 V, PRI – SEC: 4000 V
Fuse protection:	primary 2-phase with micro fuse
Test:	CE labelling, NRTL-approval for 1600 VA and 1600 VA with insulation monitor
Protection class:	IP20
Material:	steel / copper
Finish:	RAL 7035 light grey powder-coated
Installation:	under the base crossbeam
Scope of delivery:	1 isolating transformer 1200 VA, 1600 VA or 2000 VA, fitted with: on/off switch; power cable earthed Schuko 5m; 2x4-way equipotential bonding connectors IEC320; plug removal barrier; insulation monitor (depending on type); pre- assembled. In case of ordering insulation monitor and integration of on/off switch in the power column - factory assembly only.

Insulation monitor ELG (Earth Leakage Guard) including temperature monitoring

Insulation monitor gives out a visual and acoustic signal and the light-emitting diode and sound indicate that there is a critical fall in the isolation resistance of the whole system. This system does not replace the recommended regular tests and maintenance of those devices that are connected.

Operate value:	53 kOhm \pm 5%
Test resistance:	33 kOhm
Input voltage:	150 V / 230 VAC \pm 15%, 50 Hz / 60 Hz
AC internal resistance:	220 kOhm
DC internal resistance:	320 kOhm
Measuring direct voltage:	12 V \pm 0,3 V
Max. measuring current:	< 0,5 mA
Max. external DC voltage:	250 V DC



Isolating transformer for compact-cart	Item number without insulation monitor	Item number with insulation monitor
Isolating transformer, Power 1200 VA	ZV.9358.999	ZV.9359.999
Isolating transformer, Power 1600 VA	ZV.9362.999	ZV.9363.999
Isolating transformer, Power 2000 VA	ZV.9360.999	ZV.9361.999
On / Off switch integrated in the power column		CC.0337.999

SOCKET STRIPS compact-cart

EURO socket strip for compact-cart

Ratings: 10 A / 250 VAC
 Installation: in the power columns
 Scope of delivery: 1 EURO socket strip including mounting hardware



Description	Connection cable	Standard	Item number
① 6-way, with external earthing contact	without	IEC 320	ZV.9562.999
② 8-way, with external earthing contact	without	IEC 320	ZV.9377.999

The corresponding connection cable must be ordered separately and can be found in the Chapter Accessories.

Socket strips Schuko for compact-cart

Ratings: 16 A / 250 VAC
 Installation: in the power columns
 Scope of delivery: 1 socket strip Schuko including mounting hardware



Designation	Connection cable	Standard	Item number
① 6-way, with earthing contact	5 m	DIN VDE 0620-1	ZV.9563.999
② 8-way, with earthing contact	5 m	DIN VDE 0620-1	ZV.9564.999
③ 8-way, with on/off switch and earthing contact	5 m	DIN VDE 0620-1	ZV.9565.999
④ 8-way, with on/off switch in the power column, factory assembly only	5 m	DIN VDE 0620-1	ZV.9566.999

Socket strip French Standard for compact-cart

Ratings: 16 A / 250 VAC
 Installation: in the power columns
 Scope of delivery: 1 socket strip French Standard including mounting hardware



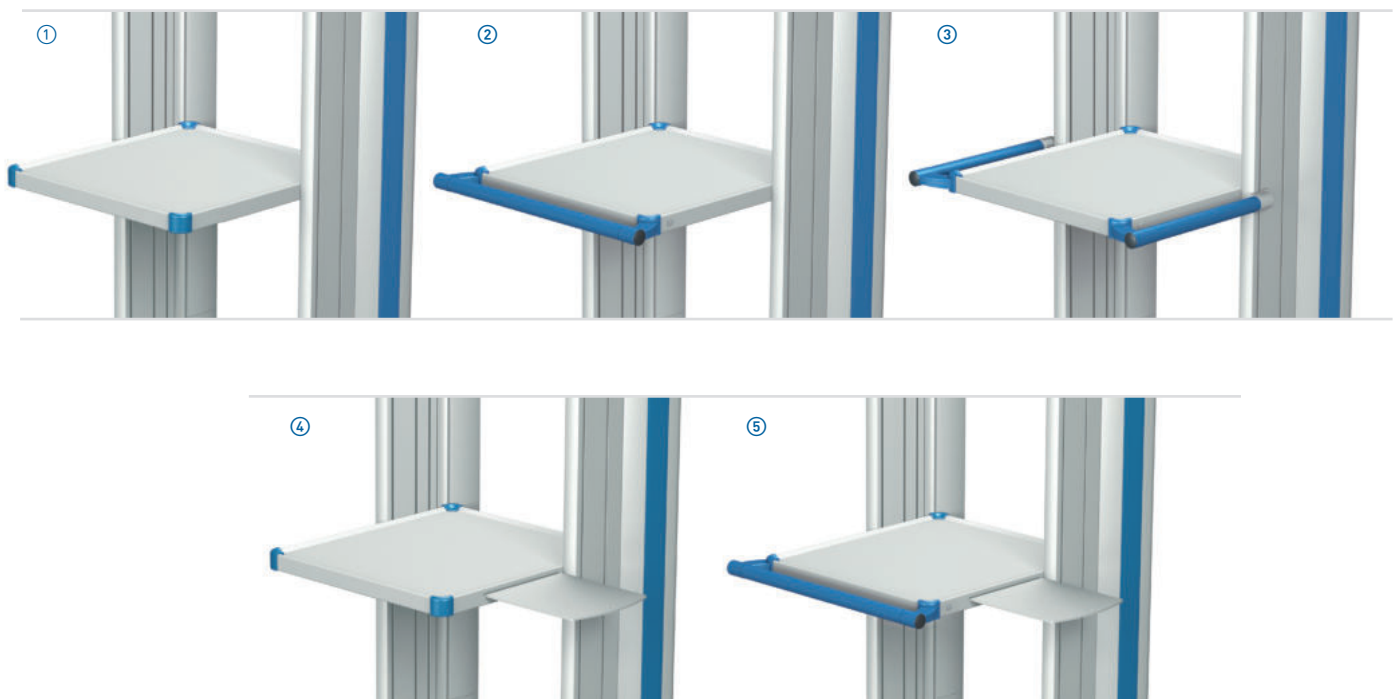
Designation	Connection cable	Standard	Item number
Socket strip French Standard, 6-way, with external earthing contact	5 m	CEE7, UTE	ZV.9567.999

SHELVES compact-cart

Shelves for compact-cart

The shelves for the compact-cart are characterised by being spacious, with raised edges and rounded decorative corners. The low installation height saves space and creates valuable space for other system components. The shelves are available with various features such as handles or a mousepad. The integrated mousepad is extendable to the right and to the left. The handles are available in different colours.

Installation height:	1 U (32 mm)
Dimensions:	W 450 mm: 450 mm x 491 mm (W x D); W 500 mm: 500 mm x 491 mm (W x D); W 650 mm: 650 mm x 491 mm (W x D)
Usable area:	W 450 mm: 406 mm x 447 mm (W x D); W 500 mm: 456 mm x 447 mm (W x D); W 650 mm: 606 mm x 447 mm (W x D)
Load capacity:	50 kg / 110 lbs distributed load
Material:	steel / aluminium
Finish:	RAL 7035 light grey powder-coated
Decorative trims:	handles and corners see ¹⁾
Installation:	in the T-slots of vertical extrusion
Scope of delivery:	1 shelf including mounting hardware, pre-assembled



compact-cart

Designation	Item number W 450 mm	Item number W 500 mm	Item number W 650 mm
① Shelf	CC.4520.XXX ¹⁾	CC.5020.XXX ¹⁾	CC.6520.XXX ¹⁾
② Shelf with handle	CC.4521.XXX ¹⁾	CC.5021.XXX ¹⁾	CC.6521.XXX ¹⁾
③ Shelf with handles at the side	CC.4524.XXX ¹⁾	CC.5024.XXX ¹⁾	CC.6524.XXX ¹⁾
④ Shelf with mousepad	CC.4522.XXX ¹⁾	CC.5022.XXX ¹⁾	CC.6522.XXX ¹⁾
⑤ Shelf with handle and mousepad	CC.4523.XXX ¹⁾	CC.5023.XXX ¹⁾	CC.6523.XXX ¹⁾

SHELVES compact-cart

Shelf depth of 320 mm for compact-cart

This shelf is space-saving and suitable for accommodating small, medical devices or monitors.

- Installation height: 1 U (32 mm)
- Dimensions: W 450 mm: 450 mm x 320 mm (W x D); W 500 mm: 500 mm x 320 mm (W x D);
W 650 mm: 650 mm x 320 mm (W x D)
- Usable area: W 450 mm: 406 mm x 276 mm (W x D); W 500 mm: 456 mm x 276 mm (W x D);
W 650 mm: 606 mm x 276 mm (W x D)
- Load capacity: 50 kg / 110 lbs distributed load
- Material: steel / aluminium
- Finish: RAL 7035 light grey powder-coated
- Decorative trims: corners see ¹⁾
- Installation: in the T-slots of vertical extrusion
- Scope of delivery: 1 shelf including mounting hardware, pre-assembled



Designation	Item number W 450 mm	Item number W 500 mm	Item number W 650 mm
Shelf depth 320 mm	CC.4528.XXX ¹⁾	CC.5028.XXX ¹⁾	CC.6528.XXX ¹⁾

Flat shelf for compact-cart

The flat shelf has no round raised edge so printer paper drawers can be left open without any problem and also offers a larger working area.

- Installation height: 1 U (32 mm)
- Dimensions: W 450 mm: 450 mm x 491 mm (W x D); W 500 mm: 500 mm x 491 mm (W x D);
W 650 mm: 650 mm x 491 mm (W x D)
- Usable area: W 450 mm: 450 mm x 491 mm (W x D); W 500 mm: 500 mm x 491 mm (W x D);
W 650 mm: 650 mm x 491 mm (W x D)
- Load capacity: 30 kg / 66 lbs distributed load
- Material: steel / aluminium
- Finish: RAL 7035 light grey powder-coated
- Decorative trims: corners see ¹⁾
- Installation: in the T-slots of vertical extrusion
- Scope of delivery: 1 shelf including mounting hardware, pre-assembled



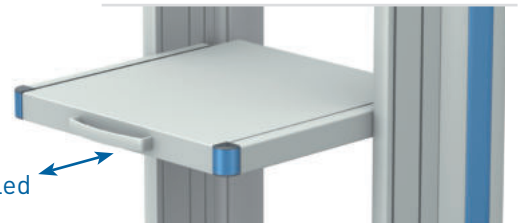
Designation	Item number W 450 mm	Item number W 500 mm	Item number W 650 mm
Flat shelf	CC.4526.XXX ¹⁾	CC.5026.XXX ¹⁾	CC.6526.XXX ¹⁾

SHELVES compact-cart

Extendable shelf for compact-cart

The extendable shelf provides quick access to your equipment for assembly and servicing. It can also be used as a keyboard shelf. The shelf extends to 265 mm and allows easy access from all sides to other attached devices. Locking point stops fix the shelf in position when it is extended or closed. The handle attached to the front allows the user to move the shelf forwards and backwards.

Installation height: 1,5 U (48 mm)
 Dimension: W 450 mm: 450 mm x 491 mm (W x D); W 500 mm: 500 mm x 491 mm (W x D);
 W 650 mm: 650 mm x 491 mm (W x D)
 Usable area: W 450 mm: 386 mm x 486 mm (W x D); W 500 mm: 436 mm x 486 mm (W x D);
 W 650 mm: 586 mm x 486 mm (W x D)
 Load capacity: 20 kg / 44 lbs distributed load
 Material: steel / aluminium
 Finish: RAL 7035 light grey powder-coated
 Decorative trims: corners see ¹⁾
 Installation: in the T-slots of vertical extrusion
 Scope of delivery: 1 shelf including mounting hardware, pre-assembled



Designation	Item number W 450 mm	Item number W 500 mm	Item number W 650 mm
Extendable shelf	CC.4533.XXX ¹⁾	CC.5033.XXX ¹⁾	CC.6533.XXX ¹⁾

Base shelf for compact-cart

The base shelf provides a cost-effective option, e.g. for placing printers directly on the base of the equipment cart.

Installation height: 1 U (32 mm)
 Dimensions: W 450 mm: 450 mm x 490 mm (W x D); W 500 mm: 500 mm x 490 mm (W x D);
 W 650 mm: 650 mm x 490 mm (W x D)
 Usable area: W 450 mm: 446 mm x 488 mm (W x D); W 500 mm: 496 mm x 488 mm (W x D);
 W 650 mm: 646 mm x 488 mm (W x D)
 Load capacity: 20 kg / 44 lbs distributed load
 Material: steel / aluminium
 Finish: RAL 7035 light grey powder-coated
 Installation: in the T-slots of vertical extrusion
 Scope of delivery: 1 shelf including mounting hardware, pre-assembled



Designation	Item number W 450 mm	Item number W 500 mm	Item number W 650 mm
Base shelf	CC.4567.991	CC.5067.991	CC.6567.991

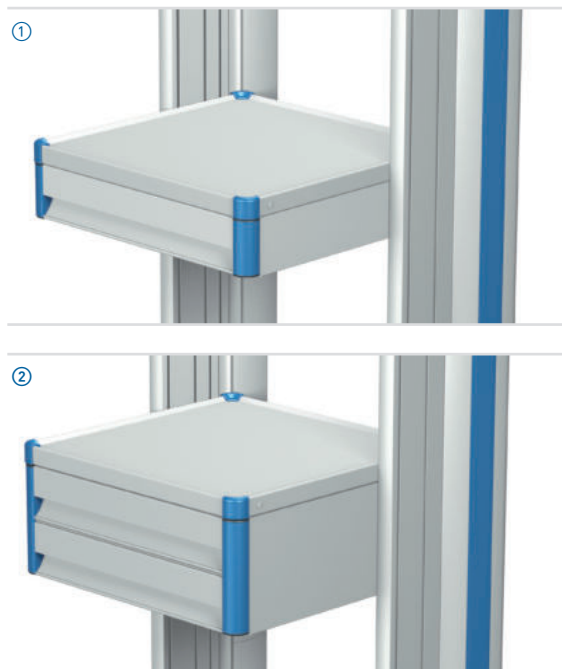
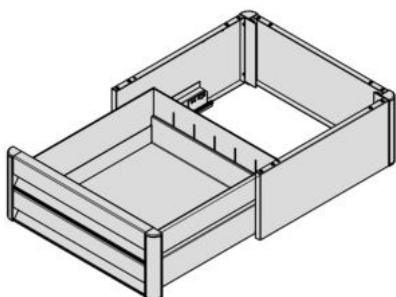
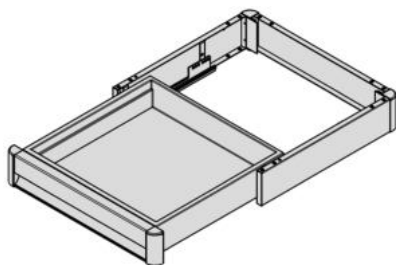
DRAWERS compact-cart

Drawers for compact-cart

The compact-cart drawers are characterised by providing a large storage space and a smooth removable inner body. The drawer is fitted with a mechanical single locking lever that ensures that the drawer cannot open abruptly when approaching a threshold. Drawers are available in different designs with handles or a mousepad. The integrated mousepad is extendable to the right and to the left.

Dimensions:	W 450 mm: 450 mm x 491 (W x D); W 500 mm: 500 mm x 491 (W x D); W 650 mm: 650 mm x 491 mm (W x D)
Interior area:	Drawer: B 450 mm: 360 mm x 400 mm x 85 mm (W x D x H) B 500 mm: 410 mm x 400 mm x 85 mm (W x D x H) B 650 mm: 510 mm x 400 mm x 85 mm (W x D x H) Drawer high: B 450 mm: 360 mm x 400 mm x 180 mm (W x D x H) B 500 mm: 410 mm x 400 mm x 180 mm (W x D x H) B 650 mm: 510 mm x 400 mm x 180 mm (W x D x H)
Load capacity:	3 kg / 6.6 lbs distributed load
Material:	steel / plastic
Finish:	RAL 7035 light grey powder-coated
Decorative trims:	handles and corners see ¹⁾
Installation :	in the T-slots of vertical extrusion
Scope of delivery:	1 drawer including mounting hardware, pre-assembled

**You always require a shelf of corresponding width as the top cover for the drawer.
This is NOT included in the scope of delivery.**



Designation	Installation height	Item number W 450 mm	Item number W 500 mm	Item number W 650 mm
① Drawer	3 U (96 mm)	CC.4540.XXX ¹⁾	CC.5040.XXX ¹⁾	CC.6540.XXX ¹⁾
② Drawer, 1 unit, high	6 U (192 mm)	CC.4541.XXX ¹⁾	CC.5041.XXX ¹⁾	CC.6541.XXX ¹⁾

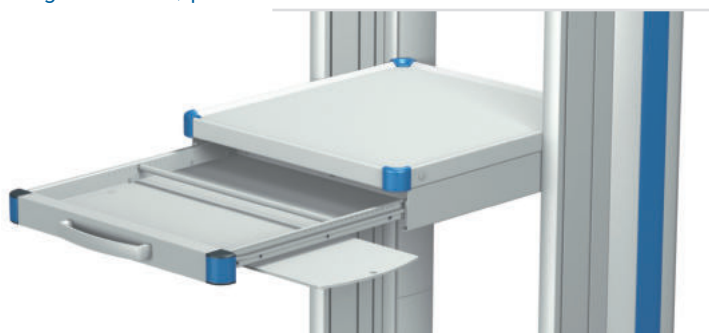
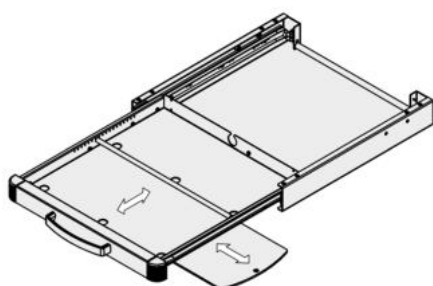
Lock on request

KEYBOARD DRAWER / HANDLE compact-cart

Keyboard drawer with mousepad (left / right) for compact-cart

The keyboard drawer is characterised by being extendable to 345 mm allowing two small keyboards to be placed next to each other. An installation width of 450 mm allows for a keyboard with a maximum width of 407 mm while an installation width of 500 mm allows for a keyboard with a maximum width of 457 mm and an installation width of 650 mm allows for a keyboard with a maximum width of 607 mm. The keyboard is prevented from slipping by an adjustable strut.

Installation height: 2 U (64 mm)
 Load capacity: 5 kg / 11 lbs distributed load
 Material: steel
 Finish: RAL 7035 light grey powder-coated
 Decorative trims: corners see ¹⁾
 Installation: in the T-slots of vertical extrusion
 Scope of delivery: 1 keyboard drawer including mounting hardware, pre-assembled

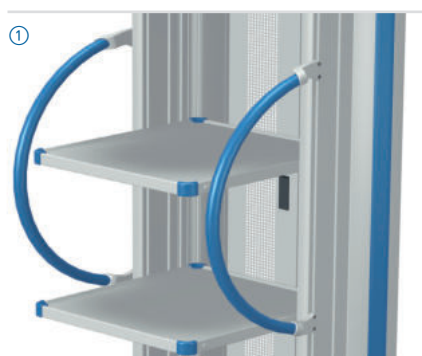


Designation	Item number W 450 mm	Item number W 500 mm	Item number W 650 mm
Keyboard drawer with mousepad (left / right)	CC.4550.XXX ¹⁾	CC.5050.XXX ¹⁾	CC.6550.XXX ¹⁾

Push handles for compact-cart

As an option either vertical rounded handles can be fitted at the front or rear of the compact-cart. The handles make manoeuvring loaded equipment carriers easier and also offer an additional design feature. The vertical round handles at the front cannot be combined with a shelf with a mousepad.


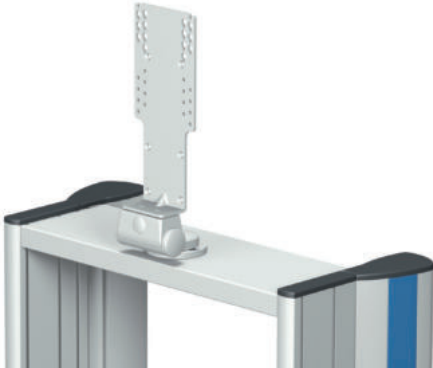

Material: aluminium
 Finish: RAL 7035 light grey powder-coated
 Decorative trims: Vertical rounded handles, front: tube see ¹⁾
 Installation: Push handles, rear: on the rear side of power column; vertical rounded handles, front: on the outside T-slots of the vertical extrusions, variable height adjustment.
 Scope of delivery: Vertical handles, front: 2 vertical rounded handles incl. mounting hardware, pre-assembled;
 Push handles, rear: 2 handles, factory assembly only



Designation	Item number
① Vertical rounded handles, front	FC.0217.XXX ¹⁾
② Push handle, rear	FC.0215.991

MONITOR HOLDERS compact-cart

Monitor holders for compact-cart

Installation	On the crossbeam			
	 <p>± 20° tilt ± 170° swivel</p>			
VESA 75 / 100	Monitor weight (kg / lbs)	Item number W 450 mm	Item number W 500 mm	Item number W 650 mm
	0-14 / 0-30.8 lbs	CC.4577.991	CC.5077.991	CC.6577.991
	14-18 / 30.8-39.6 lbs	CC.4578.991	CC.5078.991	CC.6578.991
	 <p>± 15° tilt ± 35° swivel</p>			
VESA 75 / 100 universal	Monitor weight	Item number W 450 mm	Item number W 500 mm	Item number W 650 mm
	0-14 kg / 0-30.8 lbs	CC.4532.991	CC.5032.991	CC.6532.991
	 <p>± 15° tilt ± 35° swivel</p>			
VESA 75 / 100 adjustable	Monitor weight	Item number W 450 mm	Item number W 500 mm	Item number W 650 mm
	0-14 kg / 0-30.8 lbs	CC.4566.991	CC.5066.991	CC.6566.991

Installation height: 1 U (32 mm)
 Material: steel / aluminium
 Finish: RAL 7035 light grey powder-coated
 Scope of delivery: 1 monitor holder including corresponding crossbeam and mounting hardware

MONITOR HOLDERS compact-cart

Monitor holders for compact-cart

Installation	On the monitor shelf			
	 <p>± 20° tilt ± 170° swivel</p>			
VESA 75 / 100	Monitor weight (kg / lbs)	Item number W 450 x D 320 mm	Item number W 500 x D 320 mm	Item number W 650 x D 320 mm
	0-14 / 0-30.8 lbs	CC.4583.XXX ¹⁾	CC.5083.XXX ¹⁾	CC.6583.XXX ¹⁾
	14-18 / 30.8-39.6 lbs	CC.4584.XXX ¹⁾	CC.5084.XXX ¹⁾	CC.6584.XXX ¹⁾
	 <p>± 15° tilt ± 35° swivel</p>			
VESA 75 / 100 universal	Monitor weight	Item number W 450 x D 380 mm	Item number W 500 x D 380 mm	Item number W 650 x D 380 mm
	0-14 kg / 0-30.8 lbs	CC.4529.XXX ¹⁾	CC.5029.XXX ¹⁾	CC.6529.XXX ¹⁾
	 <p>± 15° tilt ± 35° swivel</p>			
VESA 75 / 100 adjustable	Monitor weight	Item number W 450 x D 380 mm	Item number W 500 x D 380 mm	Item number W 650 x D 380 mm
	0-14 kg / 0-30.8 lbs	CC.4565.XXX ¹⁾	CC.5065.XXX ¹⁾	CC.6565.XXX ¹⁾

Installation height: 1 U (32 mm)
 Material: steel / aluminium
 Finish: RAL 7035 light grey powder-coated
 Decorative trims: corners see ¹⁾
 Scope of delivery: 1 monitor holder including corresponding monitor shelf and mounting hardware

compact-cart

Monitor carts

Monitor carts are specially designed to accommodate medical monitors which often need to be moved. When selecting the appropriate working height, integrated mechanical or electrical height adjustment are provided for extra comfort. Ergonomic push handles facilitate manoeuvring and positioning. Four lockable twin castors ensure high comfort while moving and a secure fixture when static.



uni-cart

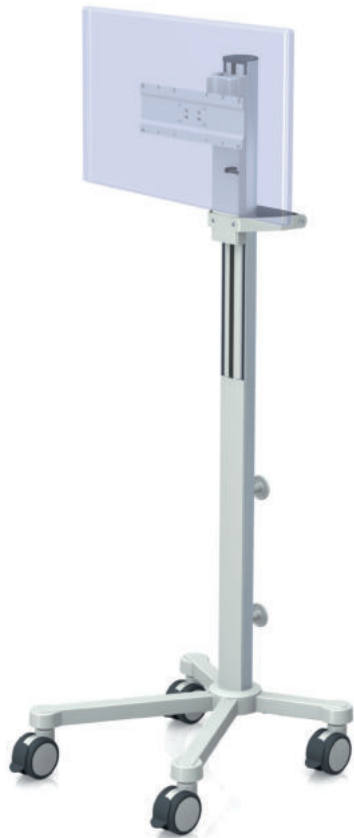


vexio-cart



pro-cart

MONITOR CARTS uni-cart



uni-cart monitor cart with mechanical height adjustment

Equipment cart, 47 U (Total height: 1685 mm), fitted with:

- 1 basic frame with 4 lockable twin castors Ø 100 mm
- 1 mechanical height adjustment
- 1 monitor holder, tiltable with VESA 100 / 200 / 300 adaptation up to 14 kg / 30.8 lbs
- 1 counterweight set
- 2 cable winders, rear
- 1 push handle, rear

Installation height: 47 U (1504 mm)
 Load capacity: 65 kg / 143 lbs
 Finish: RAL 7035 light grey powder-coated
 Support column: anodised
 Decorative trims: push handle see ¹⁾²⁾
 Scope of delivery: assembled

Load capacity of height adjustment	Item number
3-10 kg / 6.6-22 lbs	RS.4914.XXX ¹⁾²⁾
10-16 kg / 22-30.8 lbs	RS.4915.XXX ¹⁾²⁾

uni-cart monitor cart with electric height adjustment

Equipment cart, 35 U (Total height: 1305 mm), fitted with:

- 1 basic frame with 4 lockable twin castors Ø 100 mm
- 1 counterweight set
- 1 electric height adjustment, load capacity up to 20 kg / 44 lbs with power pack and remote control
- 1 monitor holder, universal with VESA 75 / 100 adaptation up to 14 kg / 30.8 lbs
- 1 keyboard drawer with mousepad (left / right)
- 1 EURO socket strip, 3-way with on/off switch
- 2 cable winders, rear
- 1 push handle, rear
- 1 PC / computer holder (small), rear
- 1 connection cable, Schuko, length 5 m
- 1 integrated plug removal barrier

Installation height: 35 U (1120 mm)
 Load capacity: 65 kg / 143 lbs
 Finish: RAL 7035 light grey powder-coated
 Support column: anodised
 Decorative trims: push handle see ¹⁾
 Scope of delivery: assembled

Input voltage	Item number
230 V and 50 / 60 Hz	RS.4145.XXX ¹⁾
110 V and 50 / 60 Hz	RS.4146.XXX ¹⁾

Monitor carts

¹⁾ Decorative trims: please replace .XXX with .901 = RAL 5021 water blue, .902 = RAL 5013 cobalt blue, .903 = RAL 7035 light grey

²⁾ Decorative trims: please replace .XXX with .800 = RAL 7016 anthracite grey

MONITOR CARTS vexio-cart



vexio-cart monitor cart with mechanical height adjustment

Equipment cart, 35 U (Total height: 1320 mm), fitted with:

- 1 basic frame with 4 lockable twin castors Ø 100 mm
- 1 mechanical height adjustment with manual locking
- 1 keyboard drawer with mouse pad (left / right)
- 1 monitor holder, universal with VESA 75/100 adapter, up to 14 kg / 30.8 lbs, and 1 small power pack holder
- 1 push handle, rear
- 2 cable winders, rear
- 1 socket strip, earthed, 3-way with on/off switch
- 2 "Economy" cable ducts, side
- 2 hygiene strips, rear

Installation height: 35 U (1120 mm)
 Load capacity: 65 kg / 143 lbs
 Finish: RAL 7035 light grey powder-coated
 Support column: anodised
 Decorative trims: push handle see ¹⁾
 Scope of delivery: assembled

Load capacity of height adjustment	Item number
3-10 kg / 6.6-22 lbs	NT.5021.XXX ¹⁾
10-16 kg / 22-35.2 lbs	NT.5022.XXX ¹⁾

vexio-cart monitor cart with mechanical height adjustment

Equipment cart, 23 U (Total height: 933 mm), fitted with:

- 1 basic frame with 4 lockable twin castors Ø 100 mm
- 6 hygiene strips
- 1 mechanical height adjustment with release pedal
- 1 monitor holder, tiltable with VESA 100 / 200 / 300 adaptation up to 14 kg / 30.8 lbs with locators
- 1 counterweight set
- 2 cable winders, rear
- 1 push handle, rear

Installation height: 23 U (736 mm)
 Load capacity: 65 kg / 143 lbs
 Finish: RAL 7035 light grey powder-coated
 Support column: anodised
 Decorative trims: push handle / locators see ¹⁾²⁾
 Scope of delivery: assembled

Load capacity of height adjustment	Item number
3-10 kg / 6.6-22 lbs	NT.5014.XXX ¹⁾²⁾
8-14 kg / 17.6-30.8 lbs	NT.5015.XXX ¹⁾²⁾

¹⁾ Decorative trims: please replace .XXX with .901 = RAL 5021 water blue, .902 = RAL 5013 cobalt blue, .903 = RAL 7035 light grey

²⁾ Decorative trims: please replace .XXX with .800 = RAL 7016 anthracite grey

MONITOR CARTS pro-cart



Monitor carts

pro-cart monitor cart with electric height adjustment

Equipment cart, 35 U (Total height: 1332 mm), fitted with:

- 1 basic frame with 4 locable twin castors Ø 100 mm
- 1 electric height adjustment, load capacity up to 20 kg / 44 lbs with power pack and remote control
- 1 shelf with handle, front
- 1 monitor holder, universal, with VESA 75 / 100 adaptation up to 14 kg / 30.8 lbs
- 1 keyboard drawer with mousepad (left / right)
- 1 push handle, rear
- 2 cable winders, rear
- 1 connection cable, Schuko, length 5 m

Installation height: 35 U (1120 mm)
 Load capacity: 80 kg / 176 lbs
 Finish: RAL 7035 light grey powder-coated
 Decorative trims: handle and push handle see ¹⁾
 Scope of delivery: assembled

Input voltage	Item number
230 V and 50 / 60 Hz	PT.5012.XXX ¹⁾
110 V and 50 / 60 Hz	PT.5017.XXX ¹⁾

pro-cart monitor cart with mechanical height adjustment

Equipment cart, 48 U (Total height: 1798 mm), fitted with:

- 1 basic frame with 4 locable twin castors Ø 125 mm, conductive
- 1 mechanical height adjustment
- 1 monitor holder, tiltable with VESA 100 / 200 / 300 adaptation up to 16 kg / 35.2 lbs
- 1 counterweight set
- 1 push handle, rear
- 2 cable winders, rear

Installation height: 48 U (1536 mm)
 Load capacity: 80 kg / 176 lbs
 Finish: RAL 7035 light grey powder-coated
 Decorative trims: push handle see ¹⁾²⁾
 Scope of delivery: assembled

Load capacity of height adjustment	Item number
3-10 kg / 6.6-22 lbs	PT.5016.XXX ¹⁾²⁾
10-16 kg / 22-35.2 lbs	PT.5015.XXX ¹⁾²⁾

¹⁾ Decorative trims: please replace .XXX with .901 = RAL 5021 water blue, .902 = RAL 5013 cobalt blue, .903 = RAL 7035 light grey

²⁾ Decorative trims: please replace .XXX with .800 = RAL 7016 anthracite grey

MONITOR CARTS FOR PHILIPS IntelliVue



uni-cart rollstand for Philips IntelliVue MP5-70 / MX400-800

Equipment cart, 32 U (Total height: 1265 mm), fitted with:

- 1 basic frame with 4 lockable twin castors Ø 100 mm
- 1 counterweight set
- 1 tilt and swivel unit with Table Top Mount adaptation for Philips IntelliVue MP5-70 / MX400-800 up to 14 kg / 30.8 lbs
- 1 vertical holder for „external rack“
- 1 storage basket
- 1 push handle, rear
- 1 integrated plug removal barrier

Installation height: 32 U (1024 mm)
 Load capacity: 50 kg / 110 lbs
 Finish: RAL 7035 light grey powder-coated
 Decorative trims: push handle and holder: Medium Aqua Accent powder-coated
 Scope of delivery: assembled, Philips Table Top Mount is not included in the scope of delivery

Item number
RS.4903.801

vexio-cart rollstand for Philips IntelliVue MP5-70 / MX400-800

Equipment cart, 25 U (Total height: 1042 mm), fitted with:

- 1 basic frame with 4 lockable twin castors Ø 100 mm
- 1 counterweight set
- 1 tilt and swivel unit with Table Top Mount adaptation for Philips IntelliVue MP5-70 / MX400-800 up to 14 kg / 30.8 lbs
- 1 storage basket
- 1 push handle, rear
- 6 hygiene strips

Installation height: 25 U (800 mm)
 Load capacity: 65 kg / 143 lbs
 Finish: RAL 7035 light grey powder-coated
 Decorative trims: push handle: RAL 7035 light grey powder-coated
 Scope of delivery: assembled, Philips Table Top Mount is not included in the scope of delivery

Item number
NT.5016.903

MONITOR CARTS FOR PHILIPS Efficia



vexio-cart rollstand for Philips Efficia CM 100 / 120 / 150

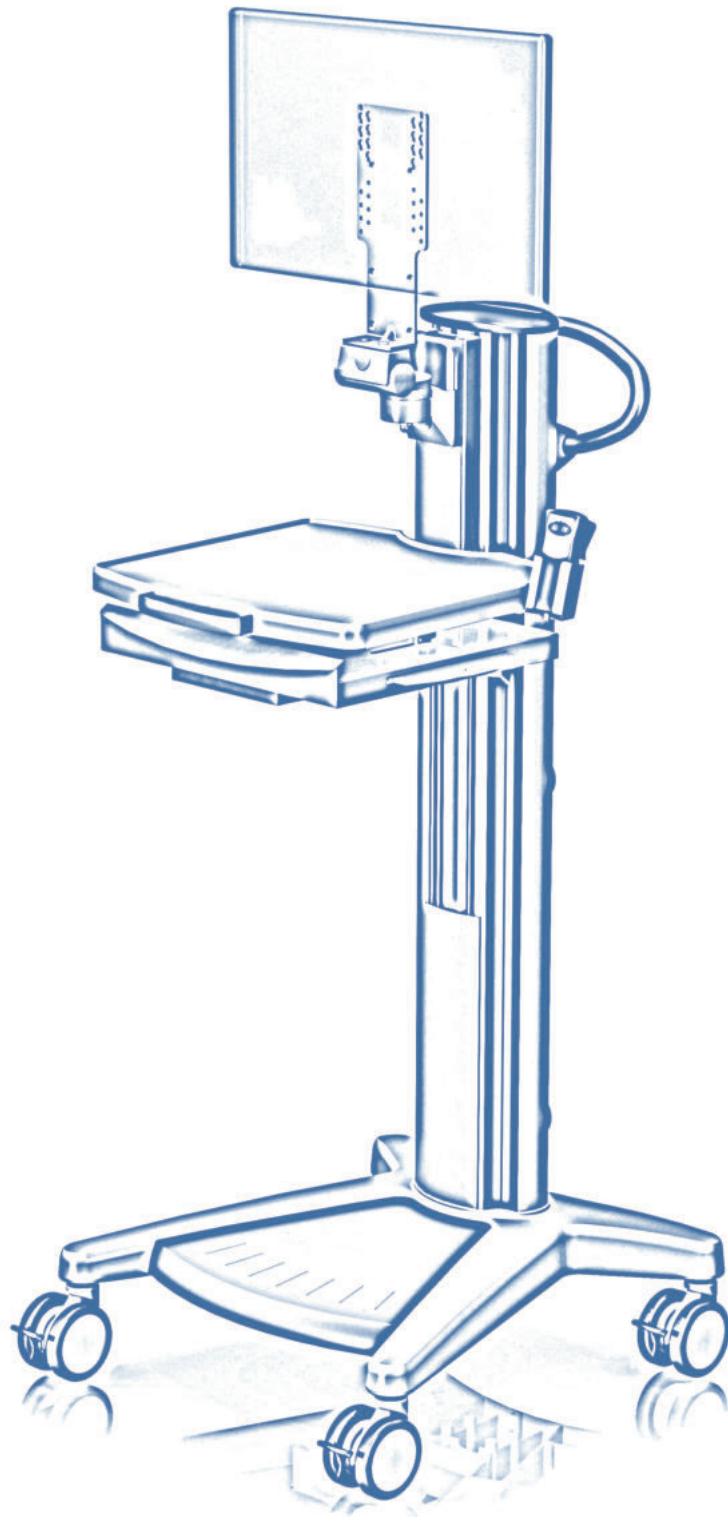
Equipment cart, 25 U (Total height: 1042 mm),
fitted with:

- 1 basic frame with 4 lockable twin castors Ø 100 mm
- 1 counterweight set
- 1 tilt and swivel unit with Table Top Mount adaptation
for Philips Efficia CM100 / 120 / 150 up to
14 kg / 30.8 lbs
- 1 storage basket
- 1 push handle, rear
- 6 hygiene strips

Installation height: 25 U (800 mm)
Load capacity: 65 kg / 143 lbs
Finish: RAL 7035 light grey powder-coated
Decorative trims: push handle: RAL 7035 light grey
powder-coated
Scope of delivery: assembled, Philips Table Top Mount is
not included in the scope of delivery

Item number

NT.5017.903







**CREATIVE.
INDIVIDUAL.
INNOVATIVE.**

cart-couture

We give customers the opportunity to contribute their ideas to product development. We support them in this process. Customers receive expert support from our team throughout the entire project.



Brainstorming

Do you need support in the search for an ideal new product? ITD's skilled personnel develop our customer's precise product vision into a workable idea, from a personal and technical perspective.



Personal advice

The next stage is to clarify what is needed to realise the idea. Our team presents cost-effective methods for realising the customer's requirements, after which a concept is developed together.



Development and Design

ITD is happy to work with the customer's in-house designers on request. Alternatively, we provide solutions from a single source; we create, for example, 3-D models and renderings that the customer can compare with their own ideas.



Prototype

The prototype created is the initial means of making the product idea tangible. As well as the visual aspect, the product's functionality and suitability for everyday use can be reviewed and optimised.



Test phase

ITD conducts test procedures for the newly developed product regarding compliance with regulations and standards. This ensures and certifies quality requirements as well as product safety.



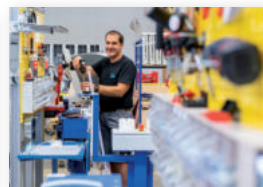
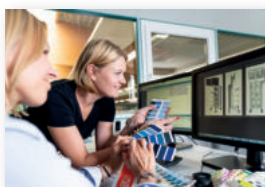
Production

We assemble, pack and label the finished product. We also take account of all requirements when designing the packaging and labelling to ensure we provide a high-quality product.



Reliable delivery

We are happy to arrange the dispatch and on-time delivery of the end product. Products are shipped using international carriers, ensuring the safe and sound delivery of goods.



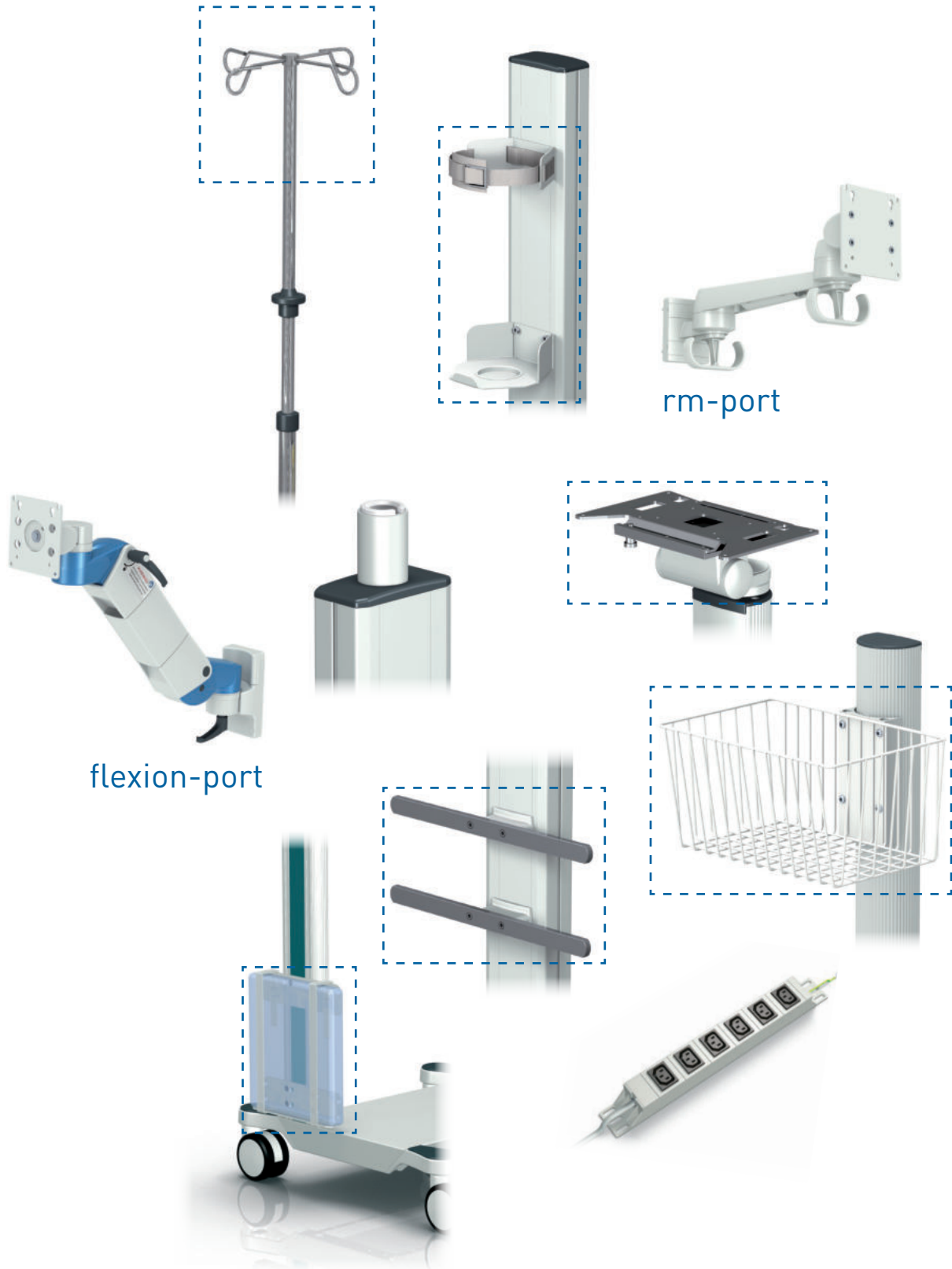


**INDIVIDUAL DESIGN OF YOUR
EQUIPMENT CART**

Accessories

LOTS OF EXTRAS FOR EVERYDAY USE

An extensive range of accessories, alongside the system components, complements any individual demands you may have of an equipment carrier. Among other things we provide: special holders for the correct storage of endoscopes, gas bottles or infusions; baskets for storing small materials and different extension cables, plugs and sockets necessary for safe electrification. Thanks to our extensive range, nearly any requirements can be met by our standard models.



rm-port

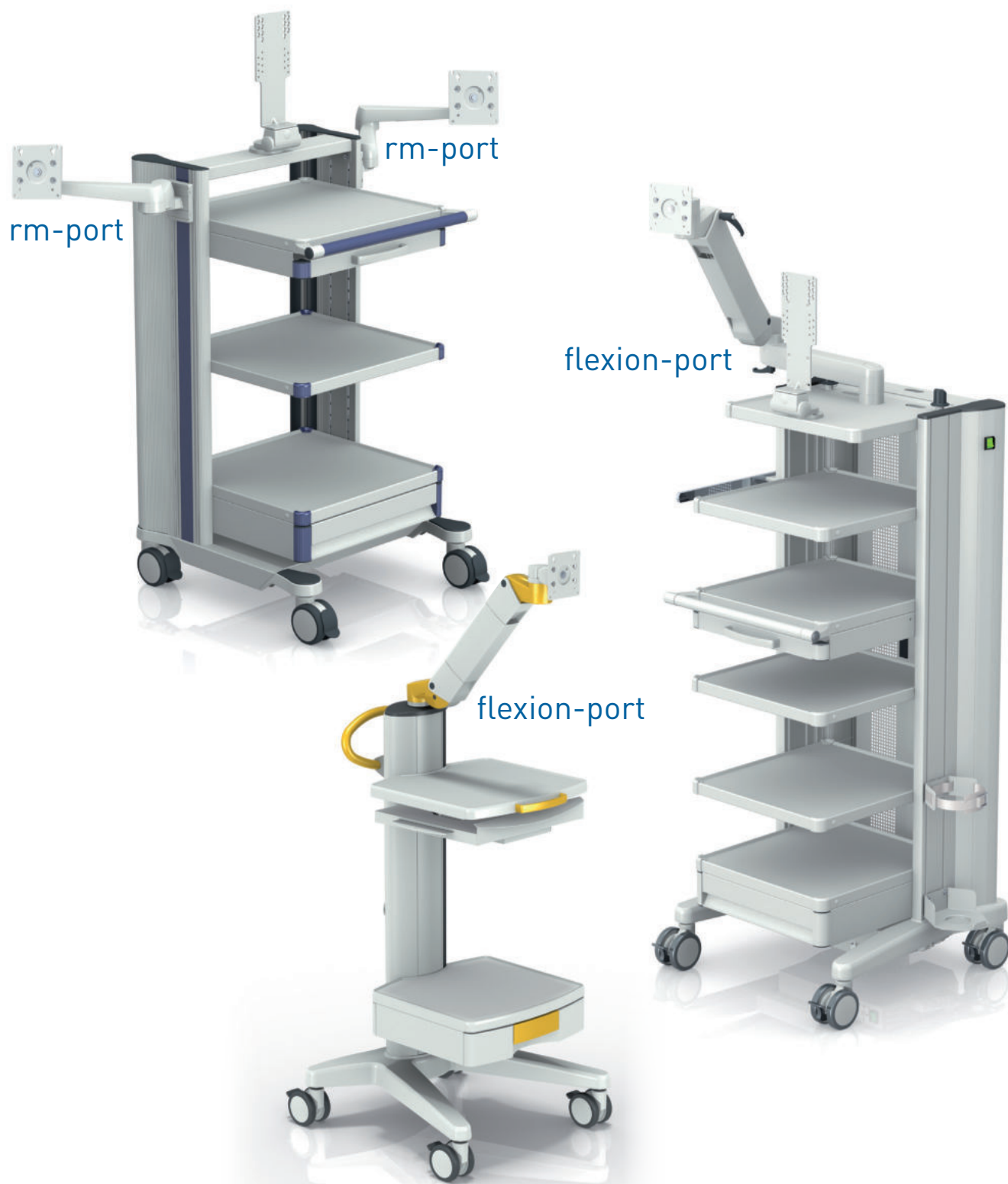
flexion-port

PIVOT ARMS AND VARIABLE HEIGHT SUPPORT ARMS

In their comprehensive product portfolio, ITD GmbH offers a large selection of different support arms (fixed, pivoting and height adjustable) that can be attached to the individual type of equipment trolley, depending on the type and options of connection. Thereby, in order to accept all types of monitor without any problems, all versions are available with VESA 75 / 100 adaptations, universal adapter or Table Top Mount adapter.

A more comprehensive overview of the complete portfolio is provided in the product catalogue of our support arms.

When the trolley is intended to be used in conjunction with supporting arms, the stability must also be measured according to EN60601-1. We will gladly advise you on the appropriate use of counterweights.



OVERVIEW OF THE VERSIONS

Pivot arm rm-port

The pivot arms rm-port are characterised by extraordinarily rapid, user-friendly installation and increased ease of use for users. Large-capacity internal cable ducts that ensure smooth cable feeding and covers with a click & slide function are used for quick and secure locking cables in the cable channel. For above-average ease of use the support arms already have optimally adjusted torque in the joints. This ensures a continuously variable horizontal slide when positioning the arms. The rm-port pivot arms are available in two standard lengths and as double arms.



Pivot arm rm-port, single
available length:
250 mm and 325 mm



Pivot arm rm-port, double
available length:
250 mm + 250 mm and 325 mm + 325mm

Variable height support arm flexion-port

The flexion-port variable height support arm is perfect for the accommodation of different monitors. Effortless lifting and positioning of the devices is achieved using pressurised gas springs. During the initial installation, flexion-port is set to the weight of the appliance. Thereafter, any further positioning can be carried out without the effort of adjustment. The available terminals provide the secure fixture of the joints during the transportation of mobile applications. flexion-port is available in three standard lengths (300, 400 and 600 mm) and is available in combination with an additional pivot arm (350 mm).



Variable height support arm flexion-port

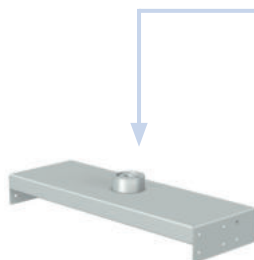


Variable height support arm flexion-port on pivot arm

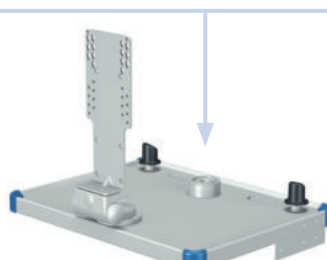


Variable height support arm flexion-port special adaptation for pro-cart

Special adaptation of flexion-port for classic-cart and compact-cart



Crossbeam, single



Monitor shelf, double without pivot arm



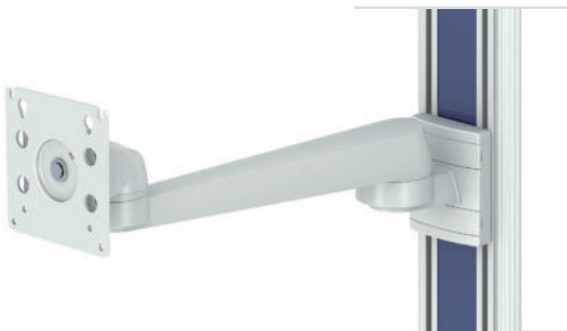
Monitor shelf, double with pivot arm

PIVOT ARMS rm-port

Pivot arms rm-port with VESA 75 / 100 adaptation

The rm-port pivot arm (single or double) is equipped with a tilt and swivel unit with VESA 75 / 100 adaptation for particularly user-friendly positioning of the monitors. Interior cable ducts with strain relief allow accommodation of various cables. Depending on the version there is a large radius of action allowing for a broad operating range. The spring-loaded monitor holder has a tilt of $\pm 20^\circ$, $\pm 90^\circ$ swivel, and is rotatable by about $\pm 5^\circ$.

- Installation height: 3 U (96 mm)
- Load capacity: Pivot arm, single: up to 23 kg / 50.6 lbs; Monitor weight up to 18 kg / 39.6 lbs
Pivot arm, double: up to 18 kg / 39.6 lbs; Monitor weight up to 18 kg / 39.6 lbs
- Material: steel / aluminium
- Finish: RAL 7035 light grey powder-coated
- Installation: in the T-slots of the vertical extrusions or on the supporting column
- Scope of delivery: 1 pivot arm including mounting hardware. For mounting on classic-cart, compact-cart please order the mounting kit separately.



Pivot arm rm-port, single



Pivot arm rm-port, double

Pivot arm, single	Product line	Item number L = 250 mm	Item number L = 325 mm
Monitor weight 0-14 kg / 0-30.8 lbs	all	TH.2170.991	TH.2171.991
Monitor weight 14-18 kg / 30.8-39.6 lbs	all	TH.2172.991	TH.2173.991
Mounting kit	classic-cart, compact-cart		ZV.9731.999

Pivot arm, double	Product line	Item number L=250 mm + 250 mm	Item number L=325 mm + 325 mm
Monitor weight 0-14 kg / 0-30.8 lbs	classic-cart, compact-cart	TH.2260.991	TH.2261.991
Monitor weight 14-18 kg / 30.8-39.6 lbs	classic-cart, compact-cart	TH.2262.991	TH.2263.991
Mounting kit	classic-cart, compact-cart		ZV.9731.999

VARIABLE HEIGHT ARMS flexion-port

Variable height support arms flexion-port with VESA 75 / 100 adaptation

The variable height support arm flexion-port provides spacious, snap-in cable ducts for the accommodation of several cables. Adjustable pivot joints with a brake function ensure precise positioning. The monitor mount has a tilt of $\pm 20^\circ$, a $\pm 90^\circ$ swivel, and is rotatable by about $\pm 5^\circ$. Tilting the monitor can take place with little effort due to the spring-loaded support.

Installation height: 5 U (160 mm)
 Material: steel / aluminium
 Finish: RAL 7035 light grey powder-coated
 Decorative trims: flexion-port: see ¹⁾
 Installation: in the T-slots of the vertical extrusions or on the supporting column
 Scope of delivery: 1 support arm including mounting hardware.

For mounting on classic-cart, compact-cart please order the mounting kit separately.



Variable height support arm flexion-port



Variable height support arm flexion-port on pivot arm

Variable height support arms with VESA 75 / 100 adaptation	Product line	Load capacity	Item number
Length 300 mm	all	3-10 kg / 6.6-22 lbs	HA.2200.XXX ¹⁾
	all	8-14 kg / 17.6-30.8 lbs	HA.2207.XXX ¹⁾
Length 400 mm	all	3-10 kg / 6.6-22 lbs	HA.2201.XXX ¹⁾
	all	8-14 kg / 17.6-30.8 lbs	HA.2208.XXX ¹⁾
Length 600 mm	classic-cart, compact-cart	3-10 kg / 6.6-22 lbs	HA.2202.XXX ¹⁾
	classic-cart, compact-cart	8-14 kg / 17.6-30.8 lbs	HA.2209.XXX ¹⁾
Mounting kit	classic-cart, compact-cart		ZV.9731.999

Variable height support arms on pivot arm with VESA 75 / 100 adaptation	Product line	Load capacity	Item number
Length 300 mm + 350 mm	classic-cart, compact-cart	3-10 kg / 6.6-22 lbs	HA.2218.XXX ¹⁾
	classic-cart, compact-cart	8-14 kg / 17.6-30.8 lbs	HA.2224.XXX ¹⁾
Length 400 mm + 350 mm	classic-cart, compact-cart	3-10 kg / 6.6-22 lbs	HA.2219.XXX ¹⁾
	classic-cart, compact-cart	8-14 kg / 17.6-30.8 lbs	HA.2225.XXX ¹⁾
Mounting kit	classic-cart, compact-cart		ZV.9731.999

¹⁾ Decorative trims: please replace .XXX with .901 = RAL 5021 water blue, .902 = RAL 5013 cobalt blue, .903 = RAL 7035 light grey, .908 = RAL 5015 sky blue, .909 = RAL 1003 signal yellow

VARIABLE HEIGHT ARM flexion-port

Variable height support arm flexion-port with VESA 75 / 100 adaptation for pro-cart

The variable height support arm flexion-port provides spacious, snap-in cable ducts for the accommodation of several cables. Adjustable pivot joints with a brake function ensure precise positioning. The monitor mount has a tilt of $\pm 20^\circ$, a $\pm 90^\circ$ swivel, and is rotatable by about $\pm 5^\circ$. Tilting the monitor can take place with little effort due to the spring-loaded support. The support arm is mounted on the supporting column of the pro-cart.

Material: steel / aluminium
 Finish: RAL 7035 light grey powder-coated
 Decorative trims: flexion-port: see ¹⁾
 Installation: on the supporting column
 Scope of delivery: 1 support arm including mounting hardware



Variable height support arm with VESA 75 / 100 adaptation on support column pro-cart	Product line	Item number Length 300 mm	Item number Length 400 mm
Load capacity 3-10 kg / 6.6-22 lbs	pro-cart	HA.2238.XXX ¹⁾	HA.2239.XXX ¹⁾
Load capacity 8-14 kg / 17.6-30.8 lbs	pro-cart	HA.2240.XXX ¹⁾	HA.2241.XXX ¹⁾

Variable height support arm flexion-port with VESA 75 / 100 adaptation for classic-cart and compact-cart

The variable height support arm flexion-port provides spacious, snap-in cable ducts for the accommodation of several cables. Adjustable pivot joints with a brake function ensure precise positioning. The monitor mount has a tilt of $\pm 20^\circ$, a $\pm 90^\circ$ swivel, and is rotatable by about $\pm 5^\circ$. Tilting the monitor can take place with little effort due to the spring-loaded support. The support arm is mounted on the monitor crossbeam or the monitor shelf, which are separately available.

Material: steel / aluminium
 Finish: RAL 7035 light grey powder-coated
 Decorative trims: flexion-port: see ¹⁾
 Installation: on the monitor crossbeam / on monitor shelf
 Scope of delivery: 1 support arm including mounting hardware



Variable height support arm with VESA 75 / 100 adaptation on crossbeam / monitor shelf	Product line	Item number Length 300 mm	Item number Length 400 mm
Load capacity 3-10 kg / 6.6-22 lbs	classic-cart, compact-cart	HA.2230.XXX ¹⁾	HA.2231.XXX ¹⁾
Load capacity 8-14 kg / 17.6-30.8 lbs	classic-cart, compact-cart	HA.2232.XXX ¹⁾	HA.2233.XXX ¹⁾

¹⁾ Decorative trims: please replace .XXX with .901 = RAL 5021 water blue, .902 = RAL 5013 cobalt blue, .903 = RAL 7035 light grey, .908 = RAL 5015 sky blue, .909 = RAL 1003 signal yellow

VARIABLE HEIGHT ARM flexion-port

Variable height support arm on pivot arm with VESA 75 / 100 adaptation for classic-cart and compact-cart

The variable height support arm flexion-port provides spacious, snap-in cable ducts for the accommodation of several cables. Adjustable pivot joints with a brake function ensure precise positioning. The monitor mount has a tilt of $\pm 20^\circ$, a $\pm 90^\circ$ swivel, and is rotatable by about $\pm 5^\circ$. Tilting the monitor can take place with little effort due to the spring-loaded support. The support arm is mounted on the monitor crossbeam or the monitor shelf, which are separately available.

Material: steel / aluminium
 Finish: RAL 7035 light grey powder-coated
 Decorative trims: flexion-port: see ¹⁾
 Installation: on the monitor crossbeam /
 on monitor shelf
 Scope of delivery: 1 support arm including mounting hardware



Variable height support arm with VESA 75 / 100 adaptation on crossbeam / monitor shelf	Product line	Item number Length 300 mm + 350 mm	Item number Length 400 mm + 350 mm
Load capacity 3-10 kg / 6.6-22 lbs	classic-cart, compact-cart	HA.2234.XXX ¹⁾	HA.2235.XXX ¹⁾
Load capacity 8-14 kg / 17.6-30.8 lbs	classic-cart, compact-cart	HA.2236.XXX ¹⁾	HA.2237.XXX ¹⁾

¹⁾ Decorative trims: please replace .XXX with .901 = RAL 5021 water blue, .902 = RAL 5013 cobalt blue, .903 = RAL 7035 light grey, .908 = RAL 5015 sky blue, .909 = RAL 1003 signal yellow

MONITOR CROSSBEAM / SHELF flexion-port

Monitor crossbeam, single for flexion-port

The monitor crossbeam is mounted between the two vertical extrusions of the „Profi“ classic-cart equipment cart (with power columns) or on the „Profi“ compact-cart. The flexion-port height-adjustable support arm can be placed directly on the monitor crossbeam.

Installation height: 2 U (64 mm)
 Load capacity: up to 14 kg / 30.8 lbs
 Material: steel
 Finish: RAL 7035 light grey powder-coated
 Installation: in the T-slots of vertical extrusions
 Scope of delivery: 1 monitor crossbeam including mounting hardware

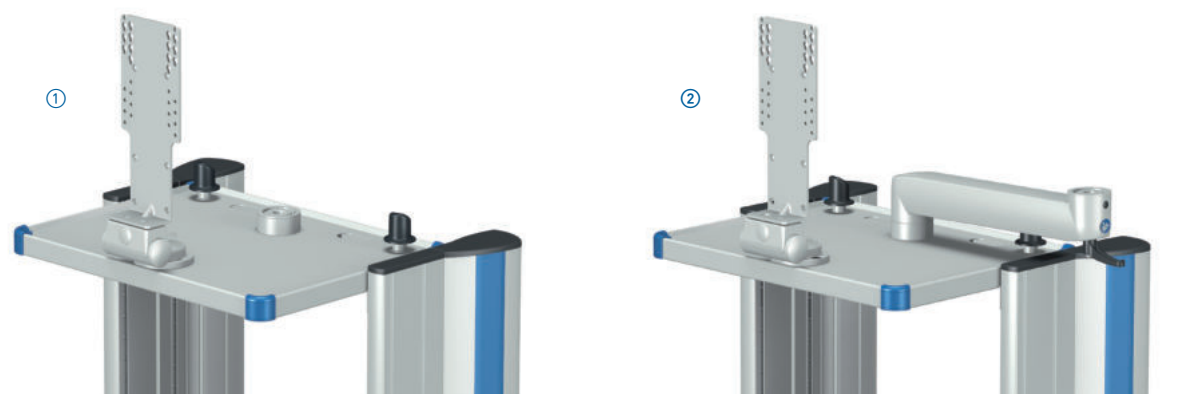


Monitor crossbeam, single	Item number W 450 mm	Item number W 500 mm	Item number W 600 mm	Item number W 650 mm
for classic-cart and compact-cart	HA.4511.991	HA.5011.991	HA.6011.991	HA.6511.991

Monitor shelf, double for flexion-port

The monitor shelf is mounted between the two vertical extrusions of the „Profi“ classic-cart equipment cart (with power columns) or „Profi“ compact-cart. The monitor shelf is available in two versions: either with or without an installed pivot arm. Both versions are equipped with quick-release locking and come equipped with a universal monitor bracket with the VESA 75 / 100 adaptation (allowing $\pm 15^\circ$ tilt, $\pm 35^\circ$ swivel). The swivel range of the support arm is 266° and with the pivot arm variant it is 180° .

Installation height: 2 U (64 mm)
 Load capacity: Shelf: max. 30 kg / 66 lbs distributed load; Monitor holder: max. 14 kg / 30.8 lbs
 Material: steel
 Finish: RAL 7035 light grey powder-coated
 Decorative trims: corners see ¹⁾
 Installation: in the T-slots of vertical extrusions
 Scope of delivery: 1 monitor shelf including mounting hardware



Monitor shelf for flexion-port	Item number W 450 mm	Item number W 500 mm	Item number W 600 mm	Item number W 650 mm
① without pivot arm for classic-cart		GW.5099.XXX ¹⁾	GW.6099.XXX ¹⁾	
② without pivot arm for compact-cart	CC.4573.XXX ¹⁾	CC.5073.XXX ¹⁾		CC.6573.XXX ¹⁾
① with pivot arm for classic-cart		GW.5098.XXX ¹⁾	GW.6098.XXX ¹⁾	
② with pivot arm for compact-cart	CC.4572.XXX ¹⁾	CC.5072.XXX ¹⁾		CC.6572.XXX ¹⁾

HANDLE / COUNTERWEIGHT SET flexion-port

Handle for the tilt and swivel unit with the VESA 75 / 100 adaptation and spring loaded support

The handle is specially designed for the swivel and tilt unit with the VESA 75 / 100 adaptation and spring loaded support and can also be retrofitted at any time. It is designed for monitors of different sizes with height adjustability and allows a comfortable adjustment of the assembled bracket to the desired position.

Material: steel
 Finish: RAL 7035 light grey powder-coated
 Installation: at the tilt and swivel unit with the VESA 75 / 100 adaptation
 Scope of delivery: 1 handle including mounting hardware



Designation	Product line	Item number
Handle for tilt and swivel unit with the VESA 75 / 100 adapter	all	TS.0808.991

Counterweight set

In order to comply with EN60601-1 regulations governing the stability of the mobile equipment carriers in conjunction with support arms, counterweights are required. The appropriate counterweights depend on the equipment cart and are located in the front stabilisers, mounted on or below the base crossbeam.

Material: steel
 Finish: RAL 7035 light grey powder-coated
 Scope of delivery: 1 counterweight set including mounting hardware. Factory assembly only

Counterweight set	Installation	Weight	Item number
for uni-cart	under the basic frame	15 kg / 33 lbs	RS.4391.991
	in the front stabilisers	2 x 4 kg / 2 x 8.8 lbs	RS.0344.999
for vexio-cart	under the front stabilisers	2 x 4 kg / 2 x 8.8 lbs	NT.4140.800
for pro-cart	between the front stabilisers	15 kg / 33 lbs	PT.2045.991
for classic-cart	on the base crossbeam	16 kg / 35.2 lbs	HA.2094.991
	under the base crossbeam	13 kg / 28.6 lbs	ZV.9742.999
for compact-cart	on the base crossbeam	16 kg / 35.2 lbs	HA.2093.991
	under the base crossbeam	15 kg / 33 lbs	ZV.9511.999

STORAGE BASKETS / PLASTIC BOX

Storage basket

For the storage of medical accessories.

① ② Storage basket conical. Dimensions: W 305 mm, D 205 mm, H 150 mm.

Load capacity: 3 kg / 6.6 lbs
 Material: steel
 Finish: RAL 9016 white, fluidised-bed coated
 Installation: on uni-cart in the front T-slots also with an adapter at the back of the support column - factory assembly only; on vexio-cart and pro-cart in the front and rear T-slots of the support column
 Scope of delivery: 1 storage basket including mounting hardware

③ Storage basket conical, small. Dimensions: W 205 mm, D 93 mm, H 150 mm.

Load capacity: 3 kg / 6.6 lbs
 Material: steel
 Finish: RAL 7035 light grey powder-coated
 Installation: on the uni-cart, vexio-cart, pro-cart in the front T-slots. Installation on the drawer is possible in the factory; on vexio-cart and pro-cart - also at the rear of the support column
 Scope of delivery: 1 storage basket including mounting hardware



Designation	Installation height	Product line	Item number
① Storage basket conical	5 U (160 mm)	all	ZV.9967.800
② Storage basket conical, rear side mounting	5 U (160 mm)	uni-cart	ZV.9989.991
③ Storage basket conical, small	5 U (160 mm)	all	ZV.9892.991

Mounting kit for storage baskets

To attach the storage baskets: conical ZV.9967.800 and a small conical ZV.9989.991 to the vertical extrusions of the classic-cart equipment trolley with power columns and the „Profi“ compact-cart.

Designation	Product line	Item number
Mounting kit	classic-cart, compact-cart	ZV.9422.999

Plastic box

For the storage of medical accessories.

Load capacity: 3 kg / 6.6 lbs
 Material: Plastic / steel
 Finish: White / RAL 7035 light grey powder-coated
 Installation: In the front and rear T-slots of the support column
 Scope of delivery: 1 plastic box with holder including mounting hardware



Designation	Product line	Item number
Plastic box	uni-cart, vexio-cart, pro-cart	ZV.9286.991

COMPUTER HOLDERS

Computer holder

The customisation provided by the bracket ensures stability and safe transport for computers with body width dimensions of between 50-225 mm.

- Material: steel
 Finish: RAL 7035 light grey powder-coated
 Installation: with an adjustable bracket left or right on the inside of the extrusion of the classic-cart, compact-cart
 Scope of delivery: 1 computer holder including mounting hardware, pre-assembled

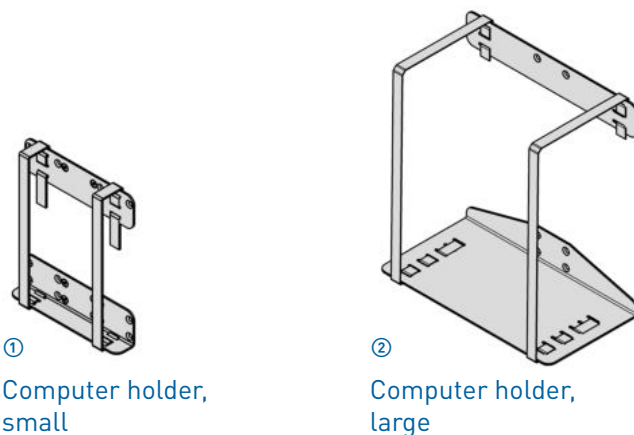


Designation	Product line	Item number
Computer holder	classic-cart, compact-cart	GW.0709.991

Computer holder

These mounts are designed for computers of different sizes and two tension belts allow customisation and guarantee stability and safe transportation.

- Material: steel
 Finish: RAL 7035 light grey powder-coated
 Installation: with an adjustable bracket to the left or right of the inside of the extrusion on classic-cart, compact-cart and on the outside of the extrusion of classic-cart without power columns or the „Economy“ compact-cart.
 Scope of delivery: 1 computer holder including mounting hardware, pre-assembled



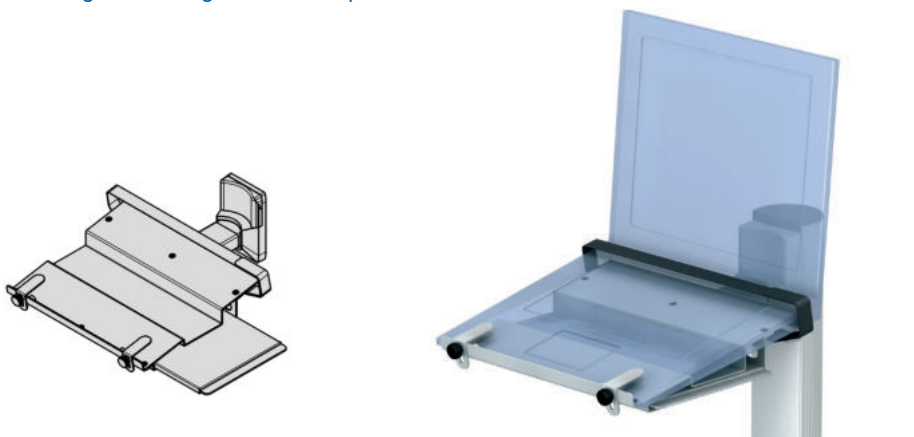
Designation	Load capacity	Product line	Item number
① Computer holder, small	5 kg / 11 lbs	all	TS.6144.991
② Computer holder, large	20 kg / 44 lbs	all ¹⁾	TS.6146.991

LAPTOP HOLDER / POWER PACK HOLDER

Laptop holder with mousepad for uni-cart, vexio-cart and pro-cart

The laptop holder is mounted directly on the supporting column and is suitable for all current models. These are held in place with a 935 mm long Velcro strip, and two height-adjustable mounts. The integrated mousepad can be extended both to the right and to the left to a distance of up to 230 mm.

- Installation height: 4 U (128 mm)
- Load capacity: 10 kg / 22 lbs distributed load
- Material: laptop holder: aluminium / steel; velcro strip: plastic
- Finish: RAL 7035 light grey powder-coated
- Installation: directly at the support column of uni-cart, vexio-cart or pro-cart
- Scope of delivery: 1 laptop holder including mounting hardware, pre-assembled

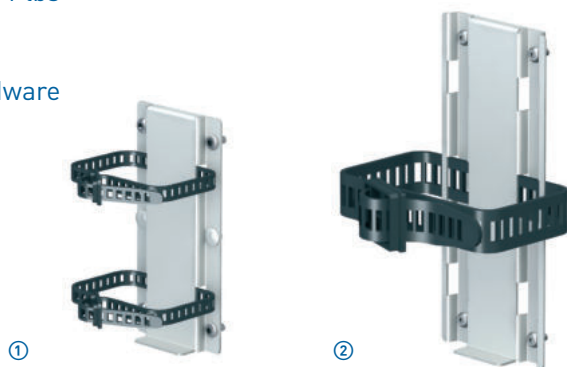


Designation	Product line	Item number
Laptop holder with mousepad	uni-cart, vexio-cart, pro-cart	TS.6301.991

Power pack holder, universal

The holder is designed for mounting power packs with a maximum range of up to 420 mm depending on the model. For the VESA 75 / 100 the universal monitor holder can be attached at the back as well as being mounted vertically on the support extrusion.

- Installation height: small: 5 U (160 mm); large: 7 U (224 mm)
- Load capacity: small: up to 3 kg / 6.6 lbs; large: up to 5 kg / 11 lbs
- Material: steel
- Finish: RAL 7035 light grey powder-coated
- Scope of delivery: 1 power pack holder including mounting hardware



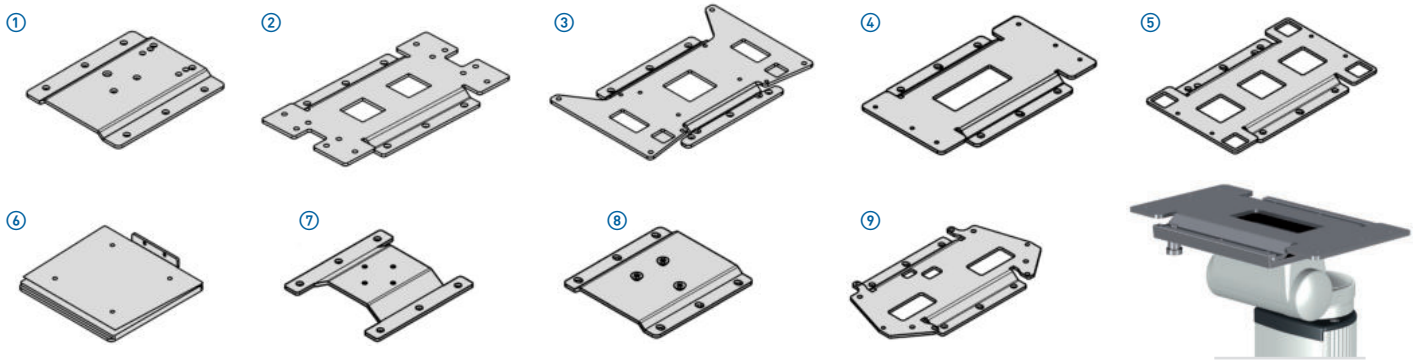
Designation	max. range	Product line	Item number
① Power pack holder, small	250 mm	all	TS.0524.991
② Power pack holder, large	420 mm	all	TS.0574.991

ADAPTER PLATES

Adapter plates for universal adapter

Adapter plates are required to attach the monitors with a universal adapter. The manufacturer-specific adapter plates are bolted to the respective monitor. Added security is provided by means of locking pins on the monitor bracket.

Material: aluminium
 Load capacity: up to 14 kg / 30.8 lbs
 Finish: anodised
 Scope of delivery: 1 adapter plate including mounting hardware



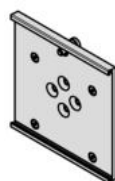
Adapter plates for universal adapter for	Product line	Item number
① GE Critikon Pro 100 / Dash / Datex Ohmeda	uni-cart, vexio-cart, pro-cart	TS.0305.999
② Mindray BeneView T5 / T8 / PM-9000	uni-cart, vexio-cart, pro-cart	TS.0657.999
③ Nihon Kohden Life Scope L / TR / PVM	uni-cart, vexio-cart, pro-cart	TS.0576.999
④ Nihon Kohden Life Scope VS / BSM	uni-cart, vexio-cart, pro-cart	TS.0670.999
⑤ Nihon Kohden SVM 7501 / 7503 / 7521 / 7523	uni-cart, vexio-cart, pro-cart	TS.0892.999
⑥ Schiller Argus LCM / LCX	uni-cart, vexio-cart, pro-cart	TS.0360.999
⑦ Philips Efficia CM 100/120/150	uni-cart, vexio-cart, pro-cart	TS.0469.999
⑧ Philips Slide In for IntelliVue MX 400-800	uni-cart, vexio-cart, pro-cart	TS.0822.999
⑨ Fukuda Denshi DS-7000 / 7100 / 7200 / 8100 / 8200	uni-cart, vexio-cart, pro-cart	TS.0865.999

More adapter plates are available on request

Adapter plates for VESA 75 / 100

Adapter plates are required to attach the monitors with a VESA 75 / 100 adapter. The manufacturer-specific adapter plates are bolted to VESA 75 / 100. Added security is provided by means of locking pins on the monitor bracket.

Material: aluminium
 Load capacity: up to 14 kg / 30.8 lbs
 Finish: anodised
 Scope of delivery: 1 adapter plate including mounting hardware



Adapter plates for VESA 75 / 100 for	Product line	Item number
Spacelabs SL 2600	uni-cart, vexio-cart, pro-cart	TS.0824.999

More adapter plates are available on request

ENDOSCOPE HOLDER

Endoscope holder, single or dual

The endoscope holders are designed to hold an endoscope of all standard brands without introducing kink. Adjusting the height allows the holder to accommodate endoscopes up to 2 m long. The holder is height adjustable and provides attachment and protection.

Material: support: plastic polypropylen; holder: plastic polypropylen reinforced; telescopic bar: steel chome-plated with one-hand operation
 Installation: in the support column; in the vertical extrusion; on two shelves or standard runners
 Scope of delivery: 1 endoscope holder including mounting hardware



Endoscope holder, single	Product line	Item number
in the vertical extrusion	classic-cart, compact-cart	GW.0867.999
in the support column	uni-cart	RS.0119.999
in the support column	pro-cart	PT.2047.999
on shelves	uni-cart, classic-cart, compact-cart	GW.0868.991
on shelves	pro-cart	PT.2046.991
on standard runners	uni-cart, pro-cart, classic-cart, compact-cart	GW.0868.991

Endoscope holder, dual	Product line	Item number
in the vertical extrusion	classic-cart, compact-cart	GW.0869.991
on shelves or on standard runners	uni-cart, classic-cart, compact-cart	GW.0870.991

DRIP GLASS / CONNECTOR HOLDER / RINSING BOTTLE HOLDER

Drip glass

The drip glass with a maximum content of 600 ml can be placed easily on the vertical extrusion or on the support column of the equipment cart. The height-adjustable drip glass can be attached to the telescopic arm of the endoscope holder.

Material: drip glass: plastic Polypropylen, resistant to temperatures up to 135°C; holder: steel
 Finish: drip glass: transparent milky; holder: RAL 7035 light grey powder-coated
 Installation: in the outer T-slots of vertical extrusion or on the support column; using clamp directly on the telescopic bar of the endoscope holder
 Scope of delivery: 1 drip glass including holder and mounting hardware



Designation	Product line	Item number
① Drip glass on the vertical extrusion or column	uni-cart, pro-cart, classic-cart, compact-cart	ZV.9963.991
② Drip glass on the telescopic bar	uni-cart, pro-cart, classic-cart, compact-cart	ZV.9986.991

Connector holder

The connector holder securely accommodates up to three endoscope connectors.

Material: plastic
 Installation: on the vertical extrusion
 Scope of delivery: 1 connector holder including mounting hardware



Designation	Product line	Item number
Connector holder	uni-cart, pro-cart, classic-cart, compact-cart	ZV.9833.999

Rinsing bottle holder

An appropriate holder can be mounted at the side of a shelf to accommodate a rinsing bottle.

Load capacity: 5 kg / 11 lbs
 Material: stainless steel
 Installation: on shelf
 Scope of delivery: 1 rinsing bottle holder including mounting hardware, factory assembly only



Designation	Product line	Item number
Rinsing bottle holder	uni-cart, classic-cart, compact-cart	GW.9805.999
Rinsing bottle holder	vexio-cart, pro-cart	PT.2007.999

HOSE HOLDER / CAMERA HOLDER / UNIVERSAL HOLDER

Hose holder

The holder can accommodate hoses – e.g. from suction pumps – with a diameter of 6 mm to 14 mm.

Material: stainless steel
 Installation: on the shelf
 Scope of delivery: 1 hose holder including mounting hardware, factory assembly only



Designation	Product line	Item number
Hose holder	uni-cart, classic-cart, compact-cart	GW.9882.999

Camera holder

The various camera holders are used to mount a camera head onto the eyepiece. ① can be mounted both to the side and the bottom of the storage shelf. ② can be moved laterally on the shelf. The camera head is mounted vertically and the bracket serves as a cable holder. ③ can be attached either to the support column, the vertical profile or the storage shelf. The cable winder can be used for excess lengths of cable.

Material: camera holders: plastic; ② clamp mounting: steel / aluminium; ③ console: steel
 Finish: camera holder: Anthracite grey; bracket or console: RAL 7035 light grey powder-coated
 Installation: ① ② to the storage shelf, ③ to the storage shelf at the factory only, to the vertical profile to the support column
 Scope of delivery: 1 camera holder; ② with clamp, ③ with console, cable winder including mounting material

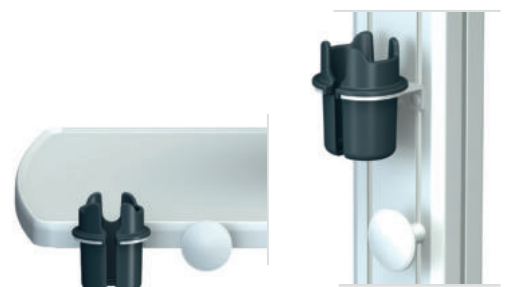


Designation	Product line	Item number
① Camera holder	uni-cart, classic-cart, compact-cart	GW.9990.999
② Camera holder with clamp	uni-cart, pro-cart, classic-cart, compact-cart	GW.9983.991
② Camera holder with cup	vexio-cart, pro-cart, classic-cart, compact-cart	ZV.9199.800

Universal holder

The universal mount is used to mount the ultrasound probe and barcode scanner. It can be attached to the support column, the vertical profile and the storage shelf.

Material: universal holder: plastic; console: steel
 Finish: universal holder: anthracite grey; console: RAL 7035, light grey, powder-coated
 Installation: Onto the vertical profile or the column; onto the shelf at the factory
 Scope of delivery: 1 universal holder, console, cable winder including mounting material



Designation	Product line	Item number
Universal holder	vexio-cart, pro-cart, classic-cart, compact-cart	GW.9198.800

BARCODE SCANNER HOLDER / GEL BOTTLE HOLDER / BOTTLE HOLDER

Barcode scanner holder

Barcode scanner holder for tapered scanning head with the head width of 6-8 cm.

Load capacity: 0.5 kg / 1.1 lbs
 Material: plastic / steel
 Finish: anthracite grey / RAL 7035 light grey powder-coated
 Installation: in the front and rear T-slots of the support column
 Scope of delivery: 1 barcode scanner holder including mounting hardware



Designation	Product line	Item number
Barcode scanner holder	uni-cart, vexio-cart, pro-cart	ZV.9287.991

Gel bottle holder

This holders are supplied for bottles up to Ø 60 mm.

Material: steel
 Finish: RAL 7035 light grey powder-coated
 Installation: on a shelf or drawer; for vexio-cart also on the side of the support column
 Scope of delivery: 1 gel bottle holder including mounting hardware, on a shelf or drawer - factory assembly only



Designation	Product line	Item number
Gel bottle holder	all	GW.0800.991

Bottle holder

These brackets are used to hold bottles of various sizes. They are suitable for a 1-liter wash bottle (Ø 120 mm) or a 2-liter secretion glass (Ø 145 mm).

Load capacity: 5 kg / 11 lbs
 Material: steel
 Finish: RAL 7035 light grey powder-coated
 Installation: lateral to vertical extrusion
 Scope of delivery: 1 bottle holder including mounting hardware



Designation	Product line	Item number
Bottle holder Ø 120 mm	all	GW.0400.991
Bottle holder Ø 145 mm	all	GW.0401.991

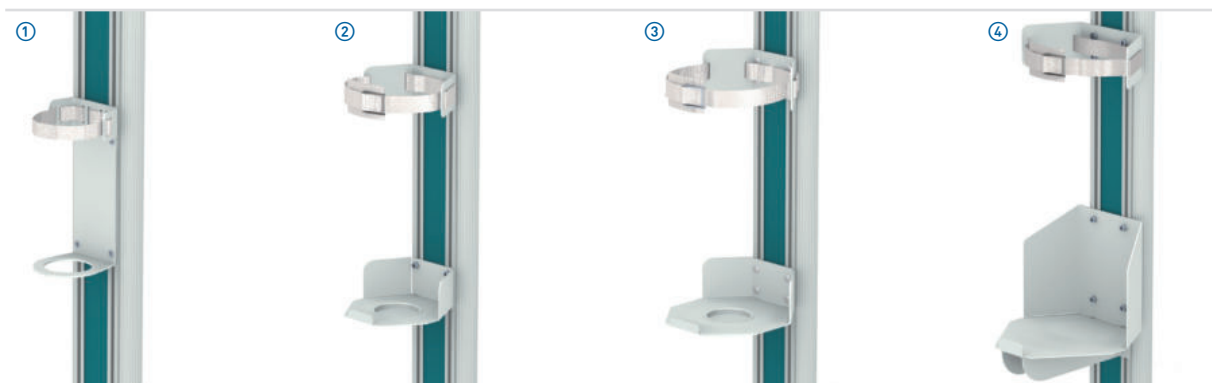
When the trolley is intended to be used in conjunction with bottle holders, the stability must also be measured according to EN60601-1. We will gladly advise you on the appropriate use of counterweights.

GAS BOTTLE HOLDERS

Gas bottle holder

The gas bottle holder can be mounted at any height or in a grid of 32 mm along the vertical extrusions or the support column.

Material: steel
 Finish: RAL 7035 light grey powder-coated
 Installation: at the front of support column of vexio-cart, uni-cart and pro-cart or at the rear of support column of vexio-cart and pro-cart or on the side of vertical extrusion of classic-cart and compact-cart
 Scope of delivery: 1 gas bottle holder including mounting hardware, pre-assembled



Gas bottle holder	Content in liter	Load capacity	Product line	Item number
① max. Ø 100 mm	2 L	15 kg / 33 lbs	all	GW.0466.991
② max. Ø 145 mm	3 L / 5 L / 10 L	20 kg / 44 lbs	all	GW.0160.991
③ max. Ø 175 mm	10 L / 20 L	20 kg / 44 lbs	all	GW.0890.991
④ max. Ø 205 mm	20 L	50 kg / 110 lbs	all	GW.0285.991

Gas bottle holder with adapter plate for installation at rear side of the support column of uni-cart

The gas bottle holder can be attached at any height at the rear side of the support column of the uni-cart.

Material: steel
 Finish: RAL 7035 light grey powder-coated
 Installation: on the rear side of the support column of uni-cart
 Scope of delivery: 1 gas bottle including mounting hardware, factory assembly only.



Gas bottle holder	Content in liter	Load capacity	Product line	Item number
① max. Ø 100 mm	2 L	15 kg / 33 lbs	uni-cart	RS.0110.991
② max. Ø 145 mm	3 L / 5 L / 10 L	20 kg / 44 lbs	uni-cart	RS.0111.991

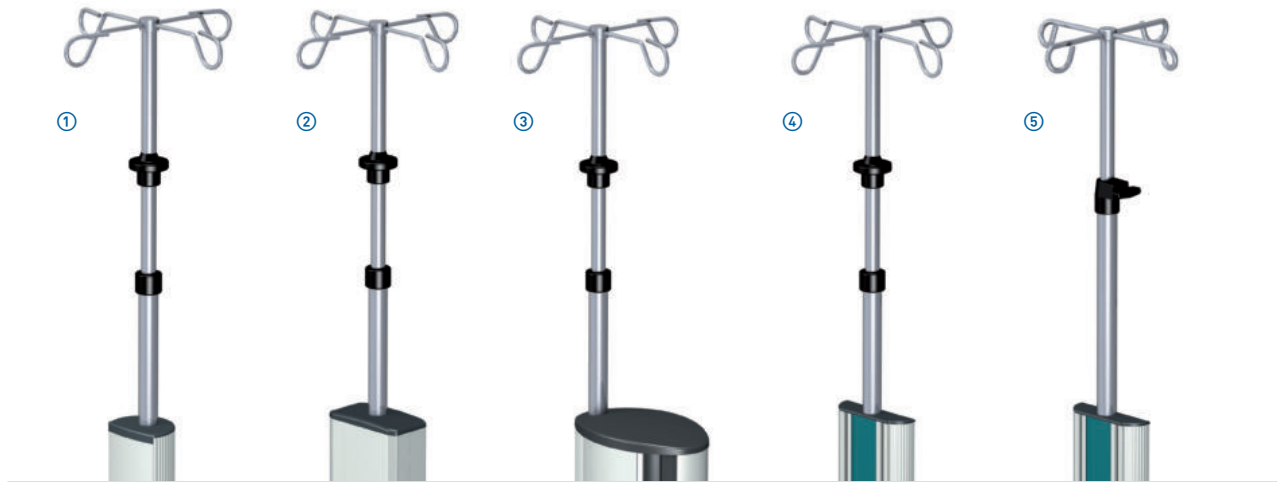
When the trolley is intended to be used in conjunction with gas bottle holders, the stability must also be measured according to EN60601-1. We will gladly advise you on the appropriate use of counterweights. We advise to install gas bottle holders for more than 5 l content at the lowest position of vertical extrusions or of support column.

IV POLE / STANDARD RUNNER

IV pole

The IV pole has a 4-arm safety bottle holder. The height-adjustable range is 870 mm.

Material: steel
 Installation: in the support column or in the vertical extrusion
 Scope of delivery: 1 IV pole including mounting hardware and corresponding cap
 Exception: pro-cart - the cap contained in the basic frame can be removed



Designation	Load capacity	Product line	Item number
① IV pole with one-hand adjustment	4 x 2 kg / 4 x 4.4 lbs	uni-cart	ZV.9881.999
② IV pole with one-hand adjustment	4 x 2 kg / 4 x 4.4 lbs	vexio-cart	NT.4135.999
③ IV pole with one-hand adjustment	4 x 2 kg / 4 x 4.4 lbs	pro-cart	PT.2006.999
④ IV pole with one-hand adjustment	4 x 2 kg / 4 x 4.4 lbs	classic-cart, compact-cart	ZV.9882.999
⑤ IV pole	4 x 5 kg / 4 x 11 lbs	classic-cart, compact-cart	ZV.9464.999

Standard runner

The standard runner can be mounted at the front of the support column or at the side of the vertical extrusion.

Installation height: 1 U (32 mm)
 Dimensions: D 10 mm x H 25 mm
 Load capacity: 10 kg / 22 lbs
 Material: stainless steel
 Scope of delivery: 1 standard runner with adapter including mounting hardware



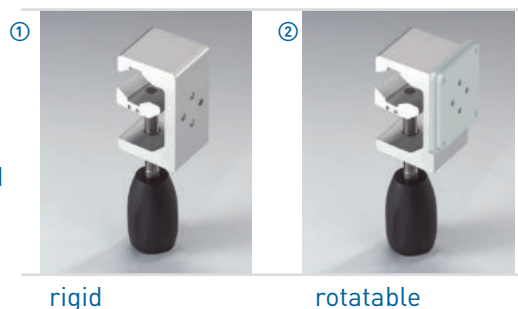
Designation	Length	Product line	Item number
① Standard runner	162 mm	uni-cart, vexio-cart, pro-cart	RS.0132.991
② Standard runner	390 mm	uni-cart, vexio-cart, pro-cart	RS.0076.991
③ Standard runner	390 mm	classic-cart, compact-cart	GW.9801.991
④ Standard runner for shelf	390 mm	vexio-cart, pro-cart	PT.2152.991

ANCHORS / CLAMPS / RAIL FASTENER

Anchor, rigid or rotatable

This anchor can be used to attach medical equipment to the side rails and to circular poles with a diameter of up to a maximum of Ø 38 mm. The rotatable bracket allows the equipment to be changed quickly between vertical and horizontal positions.

Load capacity: 5 kg / 11 lbs
 Material: anchor: aluminium; adapter plate: steel
 Finish: anchor: anodised;
 adapter plate: RAL 7035 light grey powder-coated
 Installation: on standard runner or pole
 Scope of delivery: 1 anchor



Designation	Product line	Item number
① Anchor, rigid	all	ZV.9820.799
② Anchor, rotatable with adapter plate	all	TS.6286.991

Clamps

Clamps are necessary for mounting accessories with pin diameters of Ø 16 mm or Ø 18.

Material: aluminium
 Finish: RAL 7035 light grey powder-coated
 Installation: on standard runner or on shelves
 Scope of delivery: 1 clamp



Designation	Product line	Mounting pins Ø 16 mm	Mounting pins Ø 18 mm
① Clamp on standard runner	all	ZV.9876.999	ZV.9877.999
② Clamp on shelf	all	ZV.9878.999	ZV.9879.999

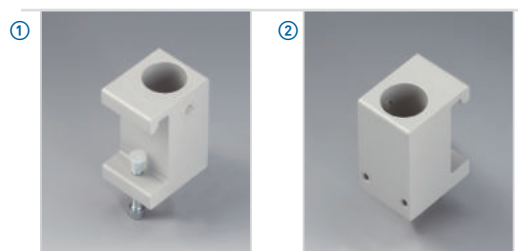
Rail fastener

Rail fasteners are used for mounting accessories in various positions on shelves or on standard runners.

① is used in pairs for variable mounting of infusion stands or endoscope holders on two shelves.

② with tapped threads is used in combination with ①, when a drip glass has to be screwed on to one of the fasteners.

Material: aluminium
 Finish: RAL 7035 light grey powder-coated
 Installation: on standard runner or on shelf
 Scope of delivery: 1 rail fastener



Designation	Product line	Mounting Ø 25 mm
① Rail fastener	uni-cart, classic-cart, compact-cart	ZV.9957.999
② Rail fastener for drip glass	uni-cart, classic-cart, compact-cart	ZV.9958.999

HOLDER FOR SUCTION SYSTEM / ADAPTER PIECES

Holder for suction system

There are appropriate holders in different designs available for professional attachment of suction systems.

Material: steel
 Finish: RAL 7035 light grey powder-coated
 Scope of delivery: 1 holder including mounting hardware, with corresponding cap if necessary. For uni-cart with additional counterweight set for the basic frame



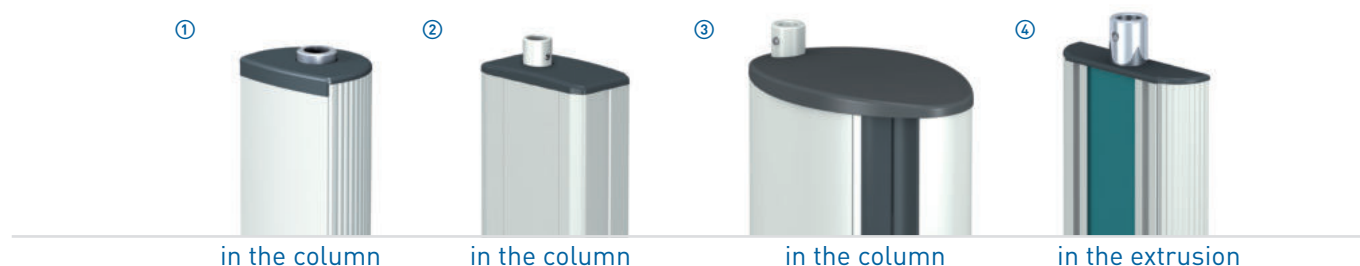
Designation	Installation height	Ergoline / Strässle Ø 25,5 mm	Hellige / KISS Ø 30 mm	custo med Ø 25 mm
① Holder for suction system for uni-cart	4 U (128 mm)	RS.0318.991		RS.0398.991
② Holder for suction system for vexio-cart		NT.4125.991	NT.4126.991	NT.4138.991
③ Holder for suction system for pro-cart		PT.2009.991	PT.2010.991	PT.2019.991
④ Holder for suction system classic-cart, compact-cart	3 U (96 mm)	GW.0570.991	GW.0702.991	GW.0579.991
⑤ Holder for suction system for classic-cart	2 U (64 mm)	GW.0717.991		

When the trolley is intended to be used in conjunction with holders for suction systems, the stability must also be measured according to EN60601-1. We will gladly advise you on the appropriate use of counterweights.

Adapter pieces

The adapter pieces serve as a retainer for attachment parts and - depending on model and equipment trolley - have an internal journal diameter of 13 mm, 16 mm or 18 mm.

Material: for uni-cart: steel; for vexio-cart and pro-cart: aluminium / plastic ABS;
 for classic-cart and compact-cart: stainless steel
 Scope of delivery: 1 adapter piece including mounting hardware, matching cover cap except of pro-cart



Designation	Ø Outer	Ø Inner 16 mm	Ø Inner 18 mm
① Adapter piece for uni-cart	40 mm	ZV.9830.999	ZV.9831.999
② Adapter piece for vexio-cart	24 mm	NT.4136.991	NT.4137.991
③ Adapter piece for pro-cart	40 mm	PT.2024.991	PT.2025.991
④ Adapter piece for classic-cart, compact-cart	25 mm	ZV.9952.999	ZV.9953.999

FOOT SWITCH CRADLE / JOINTED ARMS

Foot switch cradle

The foot switch cradle is mounted on the vertical extrusion or on the support column of the equipment cart and provides the save accommodation of foot switch.

Material: steel
 Finish: RAL 7035 light grey powder-coated
 Scope of delivery: 1 foot switch cradle including mounting hardware



Designation	Product line	Item number
Foot switch cradle	all	ZV.9991.991

Jointed arms

The jointed arms can be used for holding small devices and are available both with and without hose clamps. An appropriate adapter or clamp has to be ordered to match the mounting.

① Jointed arm with hose clamp. Hose clamp with knobs.
 Working radius: max. 900 mm
 Load capacity: 1 kg / 2.2 lbs
 Material: aluminium
 Finish: matt chrome-plated, natural anodised
 Scope of delivery: 1 jointed arm including mounting hardware

② The jointed arm with two hinge joints using quick release buttons to rotate to up to approximately 230 °.
 Working radius: max. 890 mm
 Load capacity: 1 kg / 2.2 lbs
 Material: stainless steel / plastic
 Finish: buffed
 Scope of delivery: 1 jointed arm including mounting hardware



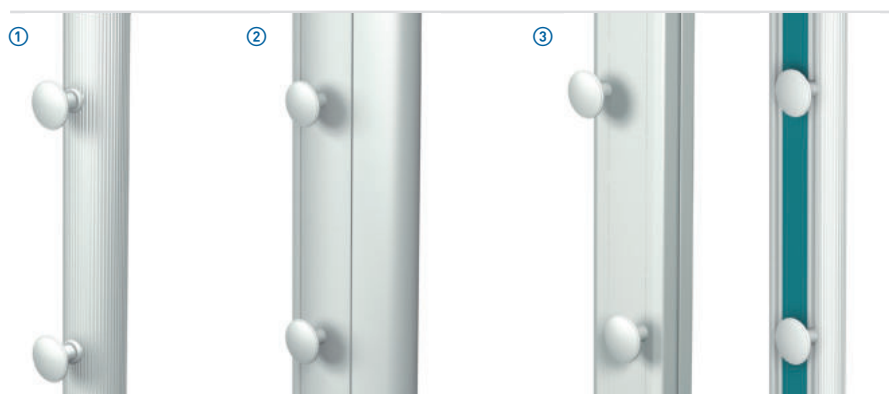
Designation	Product line	Item number
① Jointed arm with hose clamp, mounting pins Ø 16 mm	all	ZV.9955.799
② Jointed arm for small devices, mounting pins Ø 18 mm	all	ZV.9680.999

CABLE WINDERS / CABLE HOLDER

Cable winders

The cable winders can be mounted on a support column or vertical extrusion of the equipment cart and accommodates maximum 5 m cable. Factory assembly is on request possible.

Material:	plastic
Finish:	RAL 7035 light grey
Installation:	on the rear of the support column of uni-cart, vexio-cart and pro-cart; at the vertical extrusions of classic-cart, compact-cart
Scope of delivery:	2 cable winders including mounting hardware, factory assembly only for uni-cart 2 cable winders including cover strips and mounting hardware for pro-cart 2 cable winders including mounting hardware for vexio-cart, classic-cart, compact-cart



① on the rear of support column uni-cart

② on the rear of support column pro-cart

③ on the rear of support column of vexio-cart and on the vertical extrusion of classic-cart, compact-cart

Cable winders	Installation height	Item number
① for uni-cart	10 U (320 mm)	RS.0267.991
② for pro-cart	19 U (608 mm)	PT.2004.991
③ for vexio-cart, classic-cart, compact-cart		FC.0253.991

Cable holder

The cable holder is used for safe and careful handling of optical fibres or optical cables. The Ø 130 mm diameter drum prevents buckling.

Material:	steel / plastic
Finish:	white or RAL 7035 light grey powder-coated
Scope of delivery:	1 cable holder including mounting hardware



Designation	Product line	Item number
Cable holder	classic-cart, compact-cart	GW.9807.991

CABLES

Cables

A wide range of connection cables with or without POAG connection are supplied for EURO socket strips or IEC power transfer with cable harness.

EURO socket: IEC 320
 Length: 5 m
 Scope of delivery: 1 connection cable



Designation	Power plug	Rated current / rated voltage	Product line	Item number
① Connection cable Schuko	CEE7 / VII	10 A / 250 VAC	all	ZV.9809.799
② Connection cable Schuko with POAG	CEE7 / VII	10 A / 250 VAC	all	ZV.9620.999
③ Connection cable Swiss Standard	Type 12	10 A / 250 VAC	all	ZV.9798.799
④ Connection cable British Standard	Type BS 1363	10 A / 250 VAC	all	ZV.9860.799
⑤ Connection cable US Standard	3-pole US	15 A / 125 VAC	all	ZV.9770.799

EURO power cable

The EURO power cable is used to connect the EURO socket strip with the EURO plug of the unit.

Connection: IEC EURO socket --> IEC EURO plug
Scope of delivery: 1 EURO power cable



Designation	Product line	Item number
EURO power cable, length 0,6 m	all	ZV.9773.799
EURO power cable, length 1 m	all	ZV.9960.799
EURO power cable, length 1,5 m	all	ZV.9371.799
EURO power cable, length 2 m	all	ZV.9372.799
EURO power cable, length 2,5 m	all	ZV.9373.799

Adapter cable

Adapter cable with plug and socket strip.

Connection: Schuko socket strip --> EURO plug
Scope of delivery: 1 adapter cable



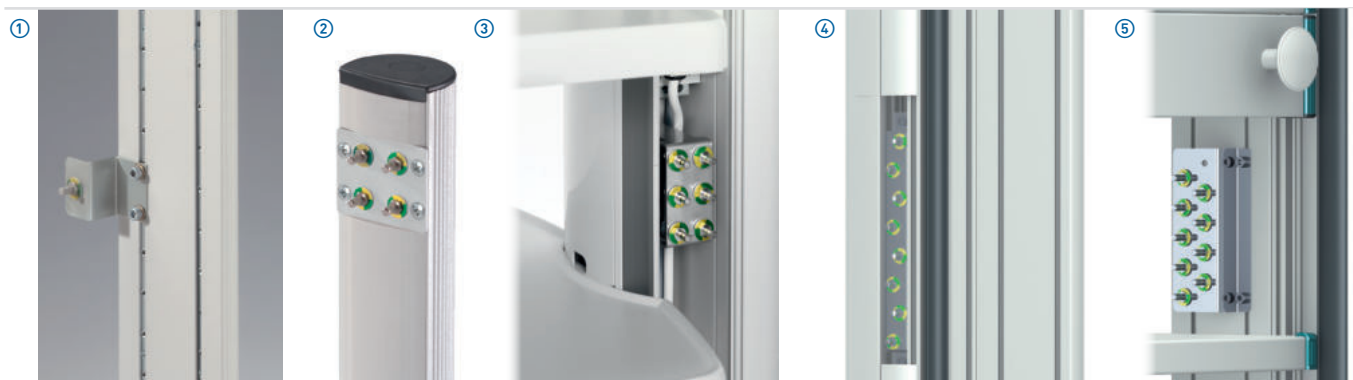
Designation	Product line	Item number
Adapter cable, length 0,3 m	all	ZV.9959.799

EQUIPOTENTIAL BONDING POAG

Equipotential plug (POAG) S6 DIN 42801

Professionals and patients are at risk when uncontrolled leakage current occur. There are caused by potential differences between electrical equipment and external conductive parts in rooms used in medical settings. Installing uninterrupted potential equalization is the safest solution.

Material: brass nickel-plated / steel
 Scope of delivery: 1x (4x, 6x, 8x or 9x) equipotential plug S6 DIN 42801
 1x (4x, 6x, 8x or 9x) colour marking disc yellow / green
 1 x mounting bracket including mounting hardware

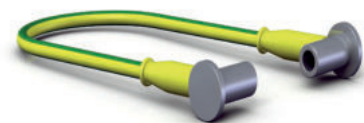


Designation	Installation height	Product line	Item number
① Equipotential plug		classic-cart, compact-cart	ZV.9940.999
② Plate with 4 equipotential plugs	2 U (64 mm)	uni-cart, vexio-cart	RS.0125.991
③ Plate with 6 equipotential plugs		pro-cart	PT.0197.999
④ Plate with 8 equipotential plugs		classic-cart, compact-cart	CC.0276.999
⑤ Plate with 9 equipotential plugs	5 U (160 mm)	classic-cart	ZV.9802.999

Equipotential cable (POAG)

The equipotential cable is used to connect installed units with the equipotential plug POAG.

Material: Equipotential socket: brass nickel-plated
 Cable: copper
 Scope of delivery: 1 cable with inclined socket on both sides



Designation	Product line	Item number
Equipotential cable, length 0,3 m	all	ZV.9941.999
Equipotential cable, length 0,5 m	all	ZV.9942.999
Equipotential cable, length 1 m	all	ZV.9943.999
Equipotential cable, length 1,5 m	all	ZV.9488.999
Equipotential cable, length 5 m	all	ZV.9944.999

SOCKET STRIP ATTACHMENT

Socket strip attachment

The socket strip attachment is mounted on the rear vertical extrusion and is suitable for the classic-cart and „Economy“ compact-cart.

Material: steel
Finish: RAL 7035 light grey powder-coated
Installation: on the rear side of vertical extrusion
Scope of delivery: 1 socket strip attachment including mounting hardware



Designation	Product line	Item number
Socket strip attachment	classic-cart, compact-cart	FC.0302.991

Socket strip attachment with cable winder

The socket strip attachment can be mounted at the rear of the shelf or on the shelf itself. Surplus cable of up to 5 m in length can be held on the cable reel to save space. It is suitable for the following socket strips: EURO socket strip (6-way), Schuko earthed (3-way with switch), Swiss Standard (3-way with switch).

Material: steel / plastic
Finish: RAL 7035 light grey powder-coated
Scope of delivery: 1 socket strip attachment including mounting hardware



Socket strip attachment with cable winder	Product line	Item number
for width 450 mm	classic-cart, compact-cart	GW.0681.991
for width 500 mm, 600 mm, 650 mm	classic-cart, compact-cart	GW.0631.991

PLUG REMOVAL BARRIER

Plug removal barrier

The plug removal barrier prevents the plugs from being inadvertently pulled out of the socket strip and avoids unauthorised equipment from being plugged in.

Material: steel
Finish: RAL 7035 light grey powder-coated
Scope of delivery: 1 plug removal barrier including mounting hardware



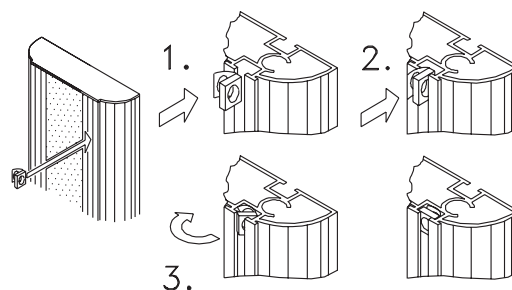
Designation	Installation height	Installation	Product line	Item number
① Plug removal barrier for socket strip Schuko, 3-way with switch	10 U (320 mm)	support column	uni-cart vexio-cart	GW.0632.991
② Plug removal barrier for socket strip Schuko, 3- / 6- / 8-way with switch		vertical extrusion	classic-cart	GW.0633.991

MOUNTING MATERIAL / EQUIPMENT FIXING CORNERS

Spring nut M6

The spring nuts are clipped into the T-slots at any point and are used for mounting system elements and accessories.

Material: steel / nirosta 4310
Finish: zinc-plated
Scope of delivery: 50 pieces



Designation	Product line	Item number
Spring nut M6	all	ZV.9851.999

Equipment fixing corners

Secures the equipment placed on the platform to prevent sliding. For mounting on the shelf, base shelf, block of drawers or base. The particular flat fixing corners (3 mm) even fit under equipment very flat feet, e.g. printers. They are self-adhesive, but can also be screwed in place.

Finish: RAL 7035 light grey powder-coated
Scope of delivery: 4 equipment fixing corners including mounting hardware



Designation	Product line	Item number
Equipment fixing corners	all	FC.0221.991

ITEM NUMBER INDEX

Item number Page

CC.0276.999	162	CC.5077.991	122	FC.0217.XXX	121
CC.0337.999	115	CC.5078.991	122	FC.0221.991	165
CC.4503.XXX	113	CC.5080.XXX	110	FC.0253.991	159
CC.4504.XXX	113	CC.5081.XXX	111	FC.0302.991	163
CC.4505.XXX	113	CC.5083.XXX	123		
CC.4520.XXX	117	CC.5084.XXX	123	GW.0160.991	154
CC.4521.XXX	117	CC.6503.XXX	113	GW.0242.991	91
CC.4522.XXX	117	CC.6504.XXX	113	GW.0243.991	91
CC.4523.XXX	117	CC.6505.XXX	113	GW.0244.991	91
CC.4524.XXX	117	CC.6520.XXX	117	GW.0285.991	154
CC.4526.XXX	118	CC.6521.XXX	117	GW.0400.991	153
CC.4528.XXX	118	CC.6522.XXX	117	GW.0401.991	153
CC.4529.XXX	123	CC.6523.XXX	117	GW.0466.991	154
CC.4532.991	122	CC.6524.XXX	117	GW.0525.999	95
CC.4533.XXX	119	CC.6526.XXX	118	GW.0570.991	157
CC.4540.XXX	120	CC.6528.XXX	118	GW.0579.991	157
CC.4541.XXX	120	CC.6529.XXX	123	GW.0631.991	163
CC.4550.XXX	121	CC.6532.991	122	GW.0632.991	164
CC.4560.991	114	CC.6533.XXX	119	GW.0633.991	164
CC.4561.991	114	CC.6540.XXX	120	GW.0660.991	91
CC.4562.991	114	CC.6541.XXX	120	GW.0661.991	91
CC.4565.XXX	123	CC.6550.XXX	121	GW.0662.991	91
CC.4566.991	122	CC.6560.991	114	GW.0681.991	163
CC.4567.991	119	CC.6561.991	114	GW.0702.991	157
CC.4572.XXX	144	CC.6562.991	114	GW.0709.991	147
CC.4573.XXX	144	CC.6565.XXX	123	GW.0717.991	157
CC.4575.991	114	CC.6566.991	122	GW.0800.991	153
CC.4577.991	122	CC.6567.991	119	GW.0867.991	150
CC.4578.991	122	CC.6572.XXX	144	GW.0868.991	150
CC.4583.991	123	CC.6573.XXX	144	GW.0869.991	150
CC.4584.991	123	CC.6575.991	114	GW.0870.991	150
CC.5003.XXX	113	CC.6577.991	122	GW.0890.991	154
CC.5004.XXX	113	CC.6578.991	122	GW.4001.XXX	97
CC.5005.XXX	113	CC.6582.XXX	110	GW.4002.XXX	97
CC.5020.XXX	117	CC.6583.XXX	123	GW.4008.XXX	98
CC.5021.XXX	117	CC.6584.XXX	123	GW.4033.XXX	100
CC.5022.XXX	117			GW.4035.XXX	97
CC.5023.XXX	117	EB.4502.991	112	GW.4040.XXX	98
CC.5024.XXX	117	EB.4503.991	112	GW.4049.XXX	97
CC.5026.XXX	118	EB.4504.991	112	GW.4051.XXX	99
CC.5028.XXX	118	EB.4505.991	112	GW.4052.XXX	99
CC.5029.XXX	123	EB.5002.991	112	GW.4075.991	98
CC.5032.991	122	EB.5003.991	112	GW.5001.XXX	97
CC.5033.XXX	118	EB.5004.991	112	GW.5002.XXX	97
CC.5040.XXX	120	EB.5005.991	112	GW.5008.XXX	98
CC.5041.XXX	120			GW.5025.XXX	97
CC.5050.XXX	121	EC.0400.XXX	92	GW.5035.XXX	97
CC.5060.991	114	EC.0401.XXX	93	GW.5036.XXX	100
CC.5061.991	114	EC.0402.XXX	92	GW.5040.XXX	98
CC.5062.991	114	EC.0403.XXX	92	GW.5049.XXX	97
CC.5065.XXX	123	EC.0404.XXX	93	GW.5051.XXX	99
CC.5066.991	122	EC.0405.XXX	93	GW.5052.XXX	99
CC.5067.991	119	EC.0410.XXX	88	GW.5075.991	98
CC.5072.XXX	144	EC.0416.XXX	88	GW.5091.XXX	101
CC.5073.XXX	144			GW.5092.XXX	101
CC.5075.991	114	FC.0215.991	121	GW.5096.991	101

ITEM NUMBER INDEX

GW.5097.991.....	101	HA.2200.XXX.....	141	NT.4105.XXX.....	53
GW.5098.XXX.....	144	HA.2201.XXX.....	141	NT.4106.XXX.....	53
GW.5099.XXX.....	144	HA.2202.XXX.....	141	NT.4107.XXX.....	53
GW.5150.991.....	94	HA.2207.XXX.....	141	NT.4108.XXX.....	53
GW.5151.991.....	94	HA.2208.XXX.....	141	NT.4109.XXX.....	52
GW.5152.991.....	94	HA.2209.XXX.....	141	NT.4112.XXX.....	46
GW.5167.991.....	101	HA.2218.XXX.....	141	NT.4113.XXX.....	46
GW.5168.991.....	101	HA.2219.XXX.....	141	NT.4114.XXX.....	46
GW.5169.XXX.....	101	HA.2224.XXX.....	141	NT.4115.XXX.....	46
GW.5170.XXX.....	101	HA.2225.XXX.....	141	NT.4116.XXX.....	46
GW.5210.XXX.....	86	HA.2230.XXX.....	142	NT.4117.991.....	55
GW.5308.XXX.....	86	HA.2231.XXX.....	142	NT.4118.XXX.....	53
GW.5502.XXX.....	90	HA.2232.XXX.....	142	NT.4119.XXX.....	53
GW.5503.XXX.....	90	HA.2233.XXX.....	142	NT.4120.XXX.....	53
GW.5504.XXX.....	90	HA.2234.XXX.....	143	NT.4121.800.....	47
GW.6001.XXX.....	97	HA.2235.XXX.....	143	NT.4123.991.....	54
GW.6002.XXX.....	97	HA.2236.XXX.....	143	NT.4124.991.....	52
GW.6008.XXX.....	98	HA.2237.XXX.....	143	NT.4125.991.....	157
GW.6025.XXX.....	97	HA.2238.XXX.....	142	NT.4126.991.....	157
GW.6035.XXX.....	97	HA.2239.XXX.....	142	NT.4128.991.....	47
GW.6036.XXX.....	100	HA.2240.XXX.....	142	NT.4129.991.....	47
GW.6040.XXX.....	98	HA.2241.XXX.....	142	NT.4130.991.....	47
GW.6049.XXX.....	97	HA.4511.991.....	144	NT.4131.991.....	47
GW.6051.XXX.....	99	HA.5011.991.....	144	NT.4132.991.....	54
GW.6052.XXX.....	99	HA.6011.991.....	144	NT.4133.991.....	55
GW.6075.991.....	98	HA.6511.991.....	144	NT.4134.991.....	55
GW.6091.XXX.....	101			NT.4135.800.....	155
GW.6092.XXX.....	101	NT.2000.XXX.....	50	NT.4136.991.....	157
GW.6096.991.....	101	NT.2007.991.....	45	NT.4137.991.....	157
GW.6097.991.....	101	NT.2065.XXX.....	45	NT.4138.991.....	157
GW.6098.XXX.....	144	NT.2070.999.....	48	NT.4139.991.....	47
GW.6099.XXX.....	144	NT.4000.991.....	40	NT.4140.800.....	40, 41, 42, 145
GW.6150.991.....	94	NT.4001.991.....	40	NT.4141.991.....	44
GW.6151.991.....	94	NT.4002.991.....	40	NT.4142.991.....	44
GW.6152.991.....	94	NT.4003.991.....	40	NT.4155.991.....	46
GW.6167.991.....	101	NT.4004.XXX.....	41	NT.4156.991.....	46
GW.6168.991.....	101	NT.4005.XXX.....	41	NT.4157.991.....	46
GW.6169.XXX.....	101	NT.4006.XXX.....	41	NT.4158.991.....	46
GW.6170.XXX.....	101	NT.4007.XXX.....	41	NT.4159.991.....	46
GW.6210.XXX.....	86	NT.4008.991.....	44	NT.4163.991.....	56
GW.6308.XXX.....	86	NT.4009.991.....	44	NT.4164.991.....	56
GW.6502.XXX.....	90	NT.4025.991.....	43	NT.4165.991.....	56
GW.6503.XXX.....	90	NT.4027.991.....	43	NT.5000.XXX.....	38
GW.6504.XXX.....	90	NT.4029.991.....	43	NT.5002.XXX.....	38
GW.8050.991.....	94	NT.4030.991.....	43	NT.5006.XXX.....	39
GW.8051.991.....	94	NT.4031.991.....	43	NT.5014.XXX.....	127
GW.9801.991.....	155	NT.4032.991.....	43	NT.5015.XXX.....	127
GW.9805.999.....	152	NT.4050.911.....	42	NT.5016.903.....	129
GW.9807.991.....	159	NT.4051.911.....	42	NT.5017.903.....	130
GW.9882.999.....	152	NT.4052.911.....	42	NT.5021.903.....	39, 127
GW.9983.991.....	152	NT.4053.991.....	42	NT.5022.903.....	39, 127
GW.9990.999.....	152	NT.4100.991.....	52		
		NT.4101.XXX.....	52	PT.0197.999.....	162
HA.2093.991.....	145	NT.4102.XXX.....	52	PT.0290.999.....	72
HA.2094.991.....	112	NT.4103.991.....	52	PT.2000.XXX.....	76
HA.2094.991.....	145	NT.4104.XXX.....	53	PT.2001.800.....	71

ITEM NUMBER INDEX

Item number Page

PT.2004.991.....	159	RS.0132.991.....	155	TH.2261.991.....	140
PT.2006.800.....	155	RS.0143.991.....	26	TH.2262.991.....	140
PT.2007.999.....	152	RS.0160.XXX.....	28	TH.2263.991.....	140
PT.2008.991.....	72	RS.0267.991.....	159		
PT.2009.991.....	157	RS.0318.991.....	157	TS.0305.999.....	149
PT.2010.991.....	157	RS.0325.991.....	29	TS.0360.999.....	149
PT.2019.991.....	157	RS.0344.999.....	20	TS.0469.999.....	149
PT.2024.991.....	157	RS.0344.999.....	145	TS.0524.991.....	148
PT.2025.991.....	157	RS.0349.999.....	21	TS.0574.991.....	148
PT.2045.991.....	68, 145	RS.0386.991.....	29	TS.0576.999.....	149
PT.2046.991.....	150	RS.0397.991.....	29	TS.0657.999.....	149
PT.2047.991.....	150	RS.0398.991.....	157	TS.0670.999.....	149
PT.2152.991.....	155	RS.0408.991.....	29	TS.0808.991.....	145
PT.4000.991.....	68	RS.0409.991.....	29	TS.0822.999.....	149
PT.4001.991.....	68	RS.4008.991.....	20	TS.0824.999.....	149
PT.4002.991.....	68	RS.4011.991.....	20	TS.0865.999.....	149
PT.4021.991.....	69	RS.4027.991.....	20	TS.0892.999.....	149
PT.4022.991.....	69	RS.4033.991.....	22	TS.6144.991.....	147
PT.4023.991.....	70	RS.4034.991.....	22	TS.6146.991.....	147
PT.4024.991.....	70	RS.4035.991.....	23	TS.6286.991.....	156
PT.4100.991.....	74	RS.4036.991.....	23	TS.6301.991.....	148
PT.4101.XXX.....	74	RS.4040.991.....	22	TS.6359.991.....	29, 55, 56
PT.4102.991.....	74	RS.4041.991.....	22		
PT.4103.XXX.....	74	RS.4042.991.....	22	VS.5302.XXX.....	87
PT.4104.XXX.....	75	RS.4043.991.....	22	VS.5402.XXX.....	87
PT.4105.XXX.....	75	RS.4044.991.....	22	VS.6402.XXX.....	87
PT.4106.XXX.....	75	RS.4111.XXX.....	18		
PT.4107.XXX.....	75	RS.4145.XXX.....	126	VT.4310.XXX.....	67
PT.4108.991.....	76	RS.4146.XXX.....	126	VT.4312.XXX.....	67
PT.4111.991.....	74	RS.4360.XXX.....	26	VT.4510.XXX.....	111
PT.4113.XXX.....	75	RS.4361.XXX.....	26		
PT.4114.XXX.....	75	RS.4363.XXX.....	27	ZV.9198.800.....	152
PT.4116.991.....	77	RS.4364.XXX.....	27	ZV.9199.800.....	152
PT.4117.991.....	77	RS.4368.XXX.....	27	ZV.9286.991.....	146
PT.4118.991.....	77	RS.4369.XXX.....	27	ZV.9287.991.....	153
PT.4119.991.....	77	RS.4370.XXX.....	26	ZV.9288.991.....	48
PT.4130.XXX.....	75	RS.4372.XXX.....	26	ZV.9289.991.....	48
PT.4135.800.....	77	RS.4381.XXX.....	27	ZV.9350.999.....	95
PT.4138.991.....	77	RS.4389.XXX.....	27	ZV.9351.999.....	95
PT.4143.991.....	77	RS.4391.991.....	145	ZV.9352.999.....	95
PT.4144.991.....	77	RS.4801.XXX.....	18	ZV.9353.999.....	95
PT.4145.991.....	77	RS.4903.801.....	129	ZV.9354.999.....	95
PT.4146.991.....	77	RS.4914.XXX.....	126	ZV.9355.999.....	95
PT.5000.XXX.....	66	RS.4915.XXX.....	126	ZV.9356.999.....	72
PT.5001.XXX.....	66	RS.5008.991.....	21	ZV.9357.999.....	72
PT.5012.XXX.....	128	RS.5011.991.....	21	ZV.9358.999.....	115
PT.5015.XXX.....	128	RS.5024.991.....	21	ZV.9359.999.....	115
PT.5016.XXX.....	128	RS.5800.XXX.....	19	ZV.9360.999.....	115
PT.5017.XXX.....	128			ZV.9361.999.....	115
		TH.2002.991.....	29, 55, 56	ZV.9362.999.....	115
RS.0076.991.....	155	TH.2003.991.....	29, 55, 56	ZV.9363.999.....	115
RS.0109.800.....	29	TH.2170.991.....	140	ZV.9371.799.....	161
RS.0110.991.....	154	TH.2171.991.....	140	ZV.9372.799.....	161
RS.0111.991.....	154	TH.2172.991.....	140	ZV.9373.799.....	161
RS.0119.991.....	150	TH.2173.991.....	140	ZV.9375.999.....	73
RS.0125.991.....	162	TH.2260.991.....	140	ZV.9376.999.....	96

ITEM NUMBER INDEX

ZV.9377.999	116	ZV.9876.999	156
ZV.9397.999	51	ZV.9877.999	156
ZV.9412.999	24	ZV.9878.999	156
ZV.9422.999	146	ZV.9879.999	156
ZV.9428.999	46	ZV.9881.800	155
ZV.9428.999	71	ZV.9882.800	155
ZV.9428.999	114	ZV.9892.991	146
ZV.9432.999	73	ZV.9901.999	157
ZV.9433.999	73	ZV.9920.999	20
ZV.9434.999	73	ZV.9921.999	20
ZV.9435.999	73	ZV.9922.999	20, 94
ZV.9440.999	73	ZV.9923.999	46, 71, 94, 114
ZV.9441.999	73	ZV.9924.999	46, 71, 94, 114
ZV.9464.800	155	ZV.9926.999	21
ZV.9488.999	162	ZV.9927.999	21
ZV.9501.999	96	ZV.9929.999	21
ZV.9502.999	96	ZV.9940.999	162
ZV.9503.999	96	ZV.9941.999	162
ZV.9504.999	96	ZV.9942.999	162
ZV.9505.999	96	ZV.9943.999	162
ZV.9506.999	96	ZV.9944.999	162
ZV.9511.999	113, 145	ZV.9952.999	157
ZV.9516.999	51	ZV.9953.999	157
ZV.9517.999	51	ZV.9955.799	158
ZV.9518.999	51	ZV.9957.999	156
ZV.9562.999	116	ZV.9958.999	156
ZV.9563.999	116	ZV.9959.799	161
ZV.9564.999	116	ZV.9960.799	161
ZV.9565.999	116	ZV.9963.999	151
ZV.9566.999	116	ZV.9964.999	20, 46, 71, 94, 114
ZV.9567.999	116	ZV.9967.800	146
ZV.9572.999	49	ZV.9977.999	96
ZV.9573.999	49	ZV.9986.999	151
ZV.9574.999	49	ZV.9989.991	146
ZV.9620.999	160	ZV.9991.991	158
ZV.9680.999	158	ZV.9995.999	21
ZV.9694.999	51		
ZV.9716.999	46		
ZV.9717.999	46		
ZV.9731.999	140		
ZV.9731.999	141		
ZV.9742.999	90, 145		
ZV.9758.991	25, 50		
ZV.9770.799	160		
ZV.9773.799	161		
ZV.9798.799	160		
ZV.9802.999	162		
ZV.9809.799	160		
ZV.9820.799	156		
ZV.9830.999	157		
ZV.9831.999	157		
ZV.9833.999	151		
ZV.9844.991	25, 50		
ZV.9848.991	25, 50		
ZV.9851.999	165		
ZV.9860.799	160		

KEYWORD INDEX

A	page		
Accessories.....	136	uni-cart with 5 stabilisers	21
Adapter cable.....	161	Clamps.....	156
Adapter pieces	157	Computer holder (small, large).....	147
Adapter plates		Connector holder	151
for universal adapter.....	149	Counterweight set	145
for VESA 75/100.....	149	Customised products.....	132
Anchor.....	156		
		D	page
B	page	Drawers for	
Barcode scanner holder	153	classic-cart.....	99
Base shelf classic-cart.....	98	compact-cart	120
Base shelf compact-cart	119	pro-cart.....	75
Base shelf uni-cart.....	26	uni-cart	27
Basic frame classic-cart	90	vexio-cart	53
Basic frame classic-cart width 1100 mm	92	Drip glass.....	151
Basic frame classic-cart width 1100 mm			
with extention	93	E	page
Basic frame compact-cart „Economy“	112	Electric box for vexio-cart	47
Basic frame compact-cart „Profi“	113	Electric tray.....	54
Basic frame pro-cart	68	Endoscope holder	150
Basic frame pro-cart with		Equipment fixing corners	165
electrical heigh adjustment	70	Equipotential bonding (POAG)	162
mechanical heigh adjustment.....	69	Equipotential cable (POAG).....	162
Basic frame uni-cart with		EURO power cable	161
4 stabilisers	20	Extendable shelf classic-cart.....	98
5 stabilisers	21	Extendable shelf compact-cart	119
electric height adjustment	23		
mechanical height adjustment.....	22	F	page
Basic frame vexio-cart		Flat shelf classic-cart.....	98
„Economy“	40	Flat shelf compact-cart.....	118
„Profi“	41	flexion-port height variable support arm	
„Plus“	42	with VESA 75 / 100.....	141
with mechanical height adjustment.....	43-44	with VESA 75 / 100 on support column	142
Basic trim for pro-cart	71	with pivot arm	141/143
Baskets	146	Foot switch cradle.....	158
Block of drawers for			
pro-cart.....	75	G	page
uni-cart	27	Gas bottle holder	154
vexio-cart.....	53	Gel bottle holder	153
Bottle holder	153		
		H	page
C	page	Handle for tilt and swivel unit with VESA 75 / 100 ..	145
Cable and hose passage.....	114	Height adjustable support arm	from 140
Cable ducts for vexio-cart	46	Height adjustable carts	from 126
Cable harness, 3-way for vexio-cart	49	Holder for sunction system	157
Cable holder.....	159	Hose holder.....	152
Cable winders	159	Hygiene strips for vexio-cart	47
Cables	160		
Camera holder	152	I	page
Castor conversion kit for		Infusion holder.....	155
classic-cart.....	94	Insulation monitor for classic-cart	96
compact-cart	114	Insulation monitor for compact-cart.....	115
vexio-cart.....	46	Insulation monitor for pro-cart	72
pro-cart.....	74		
uni-cart with 4 stabilisers	20		

KEYWORD INDEX

Isolating transformer for	
classic-cart	95
compact-cart	115
uni-cart	24
pro-cart	72
vexio-cart	48
IV pole	155

J page

Jointed arm for small devices	158
Jointed arm with hose clamp	158

K page

Keyboard drawer	
for classic-cart	100
for compact-cart	120
for pro-cart	76
for vexio-cart	54

L page

Laptop holder	148
---------------------	-----

M page

Monitor carts	from 124
Monitor crossbeam for flexion-port	144
Monitor holders for classic-cart	101
Monitor holders for compact-cart	122/123
Monitor holders for pro-cart	77
Monitor holders for uni-cart	29
Monitor holders for vexio-cart	55-56
with VESA 100 / 200 / 300 and locators	45
with VESA 75 / 100 and keyboard shelf	45
Monitor shelf for flexion-port	144
Monitor shelf for flexion-port on pivot arm	142
Mounting kit for attachment on carts	140-141
Mounting kit for storage baskets	146
Mounting material	165

O page

On/Off switch in the cover cap	48/72
On/Off switch in the power column	95/115
Order configurations	
compact-cart	110
classic-cart	86
classic-cart width 1100 mm	88
pro-cart	66
uni-cart	18
vexio-cart	38

P page

Pivot arms rm-port with VESA 75 / 100	140
Plug removal barrier	164
Plastic box	146

POAG Set for vexio-cart	49
Power columns for classic-cart	85
Power pack holder	148
Push handle for	
compact-cart	121
pro-cart	76
uni-cart	28
vexio-cart	54

R page

Rail fastener	156
Rear doors set compact-cart	114
Rear panels classic-cart	94
Rinsing bottle holder	152
rm-port pivot arms	140
Rollstand uni-cart / vexio-cart	129-131

S page

Shelf depth 320 mm	97/118
Shelves	
for classic-cart	97
for compact-cart	117
for pro-cart	74
for uni-cart	26
for vexio-cart	52
Socket strip attachment	163
Socket strips	
for classic-cart	96
for compact-cart	116
for pro-cart	73
for uni-cart	25
for vexio-cart	50-51
Spring nut	165
Standard runner	155
Storage baskets	146
Snunction system holder	157

T page

Twin monitor holder	
adjustable	77
universal	77

U page

Universal shelf for pro-cart	74
Universal shelf for vexio-cart	52
Universal holder	152

V page

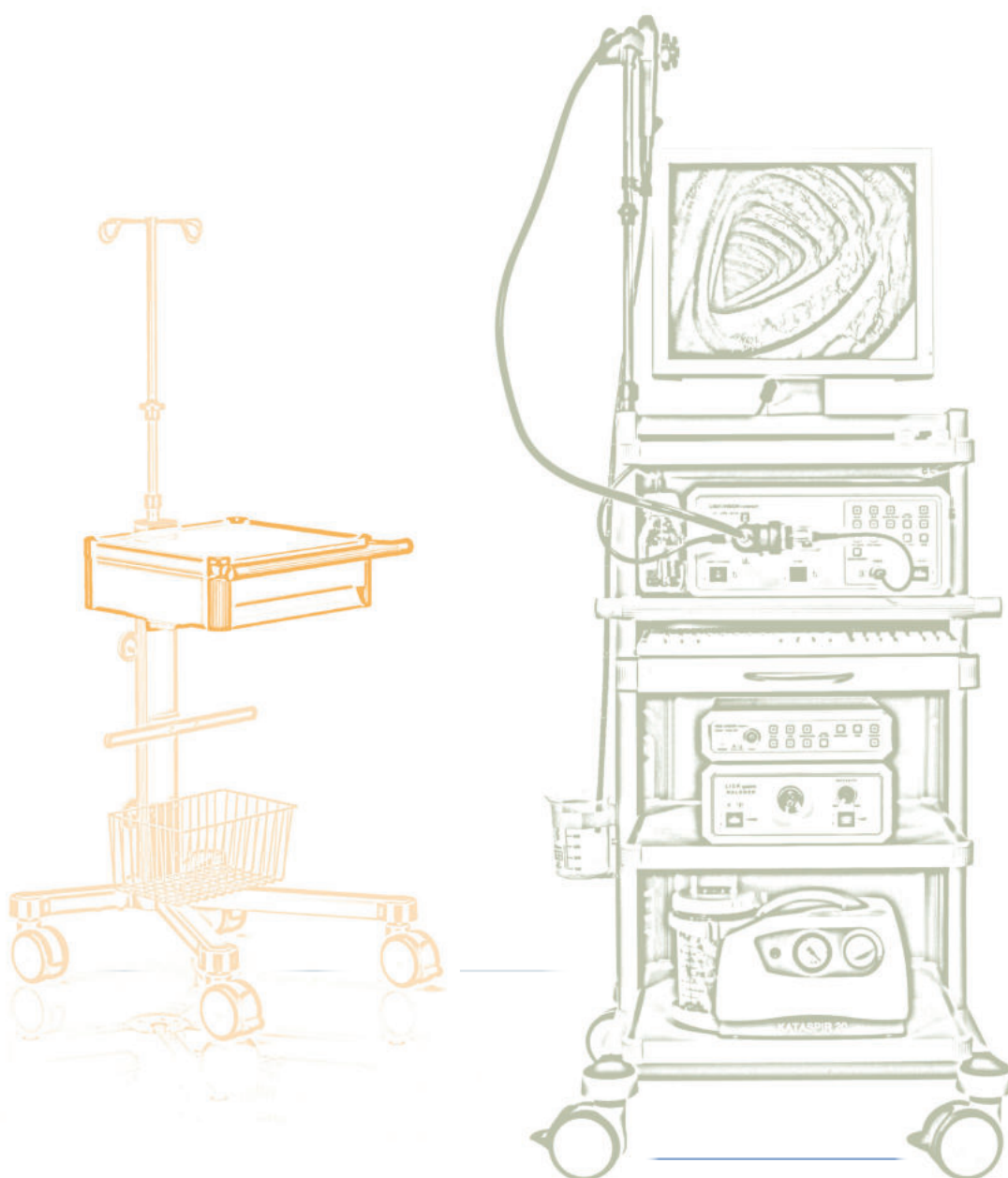
Variable height support arms	
for classic-cart, compact-cart	141
for pro-cart	142
with VESA 75 / 100	141

ARE YOU INTERESTED IN YOUR VERY OWN NEW EQUIPMENT CART?

Now you can configure your own equipment cart using our online product configurator! A simple online drag and drop feature allows you to achieve your own individual ideas. Access to this service and information regarding related products can be gained through the following website: www.itd-cart.com

Our website is always up to date with the latest information about ITD GmbH and our products.

If you require further information or have any special requirements, please contact us directly for personal advice.





Get in touch »

Europe: +49 89 614425-0 | sales@itd-cart.com
America: +1 800 947-3901 | salesusa@itd-cart.com
China: +86 21 5031 8818 | saleschina@itd-cart.com
India: +91 86 0015 4064 | salesindia@itd-cart.com
Australia: +61 3 9330 5050 | salesaustralia@itd-cart.com

www.itd-cart.com

